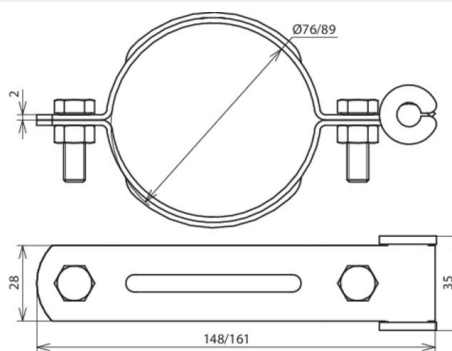


LH KD 8.10 D89 STTZN (425 089)



Figure without obligation



Type	LH KD 8.10 D89 STTZN
Part No.	425 089
Clamping range Ø pipe	89 mm
Material	St/tZn
Conductor support Rd	8-10 mm
Conductor routing	fixed
Screw	⚙ M8 x 20 mm
Material of screw / nut	StSt
Weight	231 g
Customs tariff number	85389099
GTIN	4013364022706
PU	1 Stk

We reserve the right to introduce changes in performance, configuration and technology, dimensions, weights and materials in the course of technical progress. The figures are shown without obligation.