

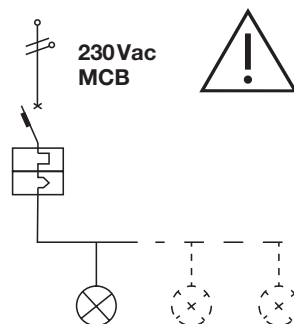
	DIMMING	Kg			V
	1-10 V	5,7	0,038 m ²	0,085 m ²	220-240 V 50/60 Hz
	DALI	5,7	0,038 m ²	0,085 m ²	220-240 V 50/60 Hz



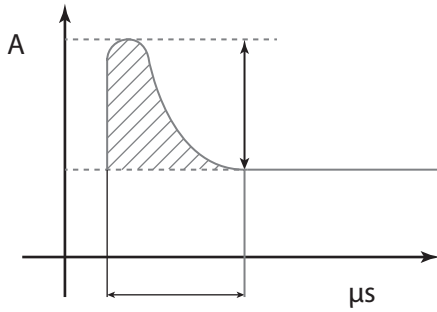
LED CCT	≤ 5700 K
Optics	RG1
S1	10 m
S2	10 m
A1	10 m
A2	10 m
A3	12,5 m
C4	11 m
C3	11 m
C2	11 m
C1	11 m

T [°C]	Flux Factor 1-10V version	Flux Factor DALI version	I ± 5%	W ± 5%
25	1	1	0,7 A	165
30	1	1	0,7 A	165
35	1	1	0,7 A	165
40	1	1	0,7 A	165
45	-	0,9	0,63 A	148
50	-	0,8	0,56 A	132

Flux Factor = Flux (T) / Flux (T=25°C)



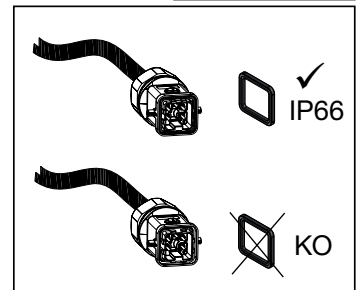
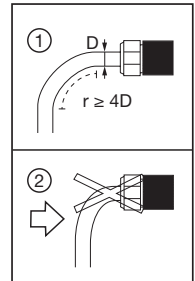
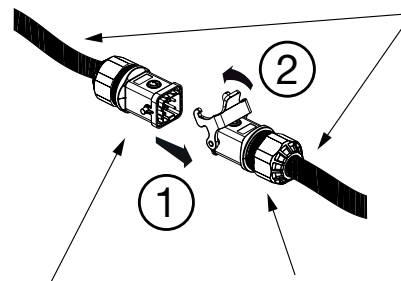
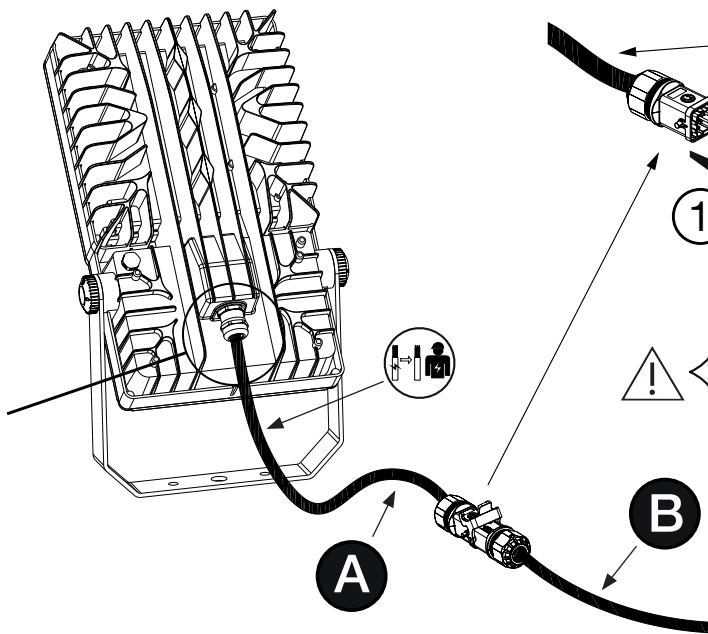
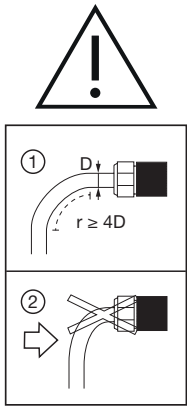
MCB Type B:	10A	16A	20A
	-	1	2
MCB Type C:	10A	16A	20A
	1	3	5
MCB Type D:	10A	16A	20A
	4	8	12



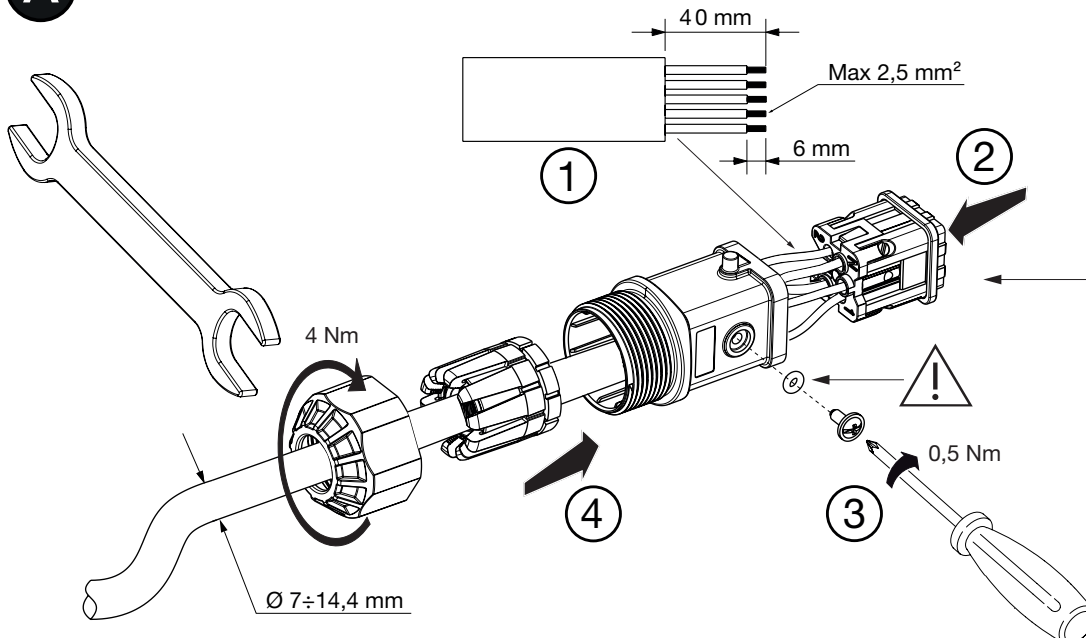
	I _{LED} (mA)	DIMMING	LED driver inrush current peak and width
LED	Max. 700	1-10V	41A / 440 µs
LED	Max. 700	DALI	58A / 340 µs



DIMMING 1-10V / DALI

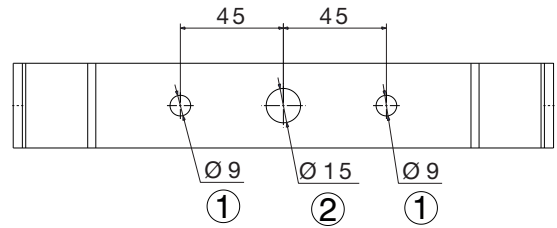
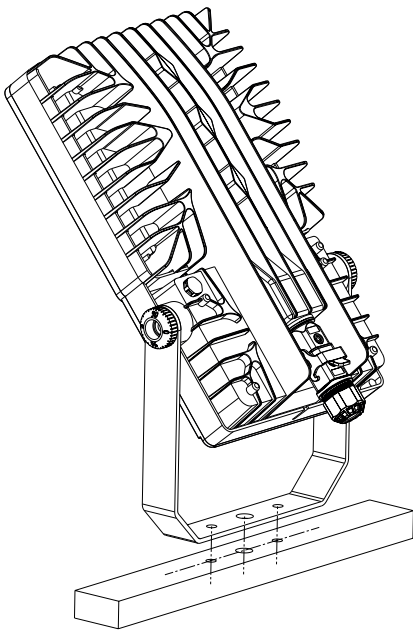
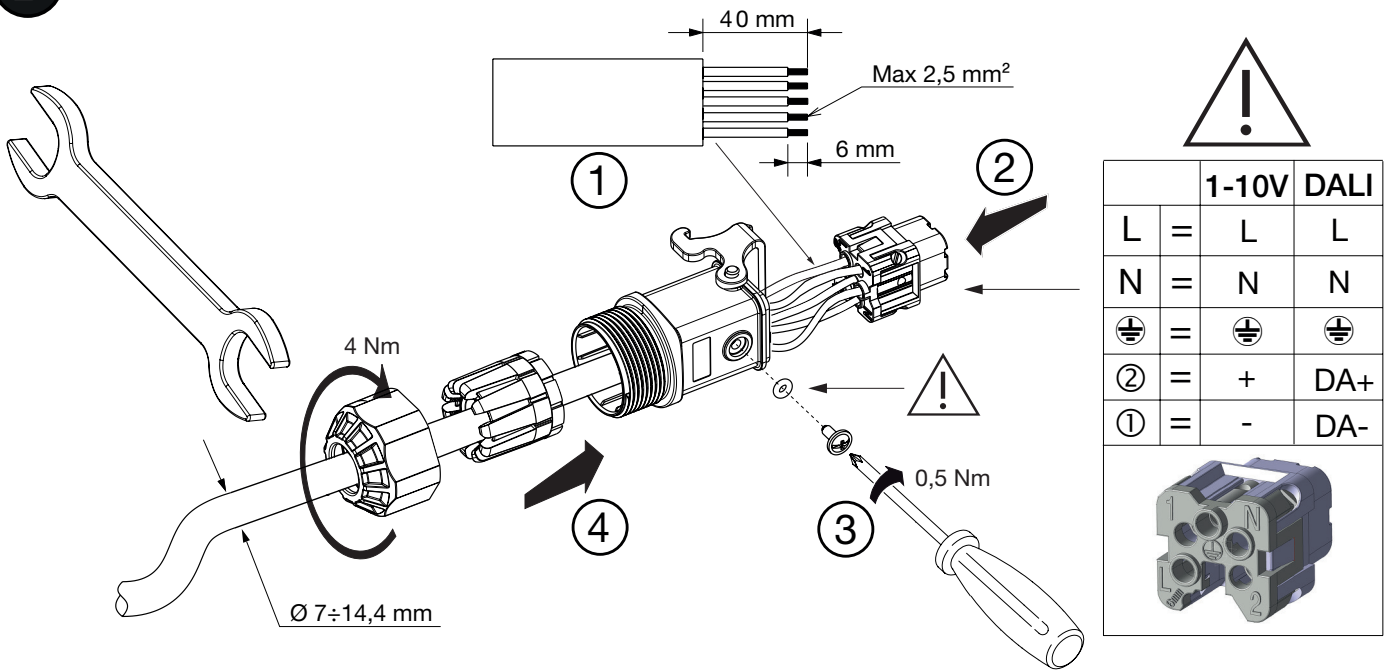


A

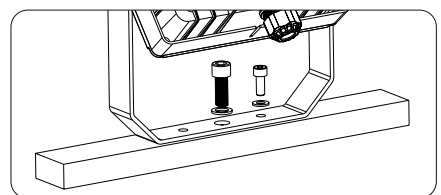
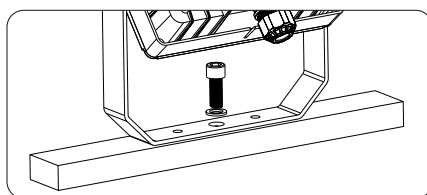
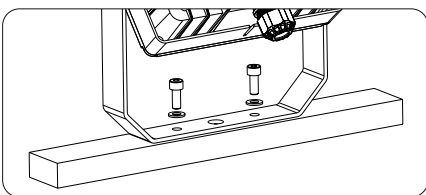
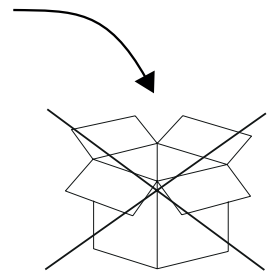


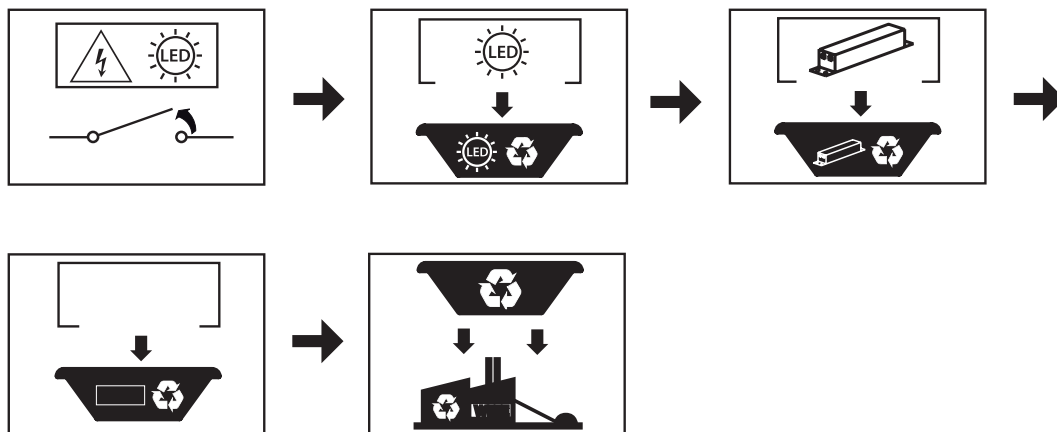
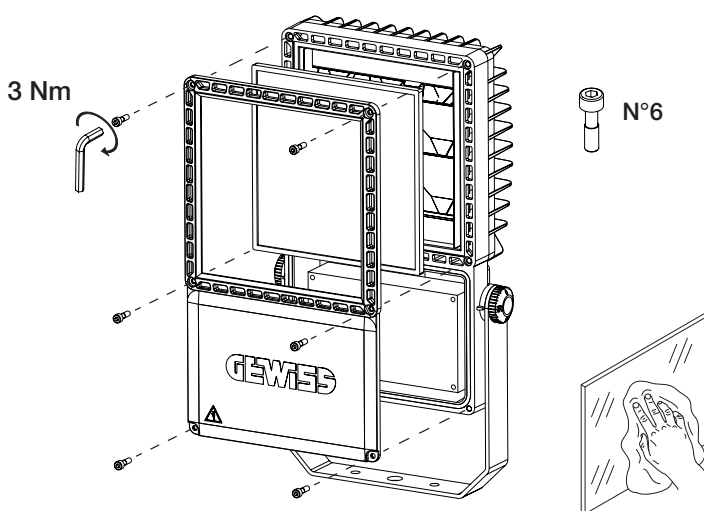
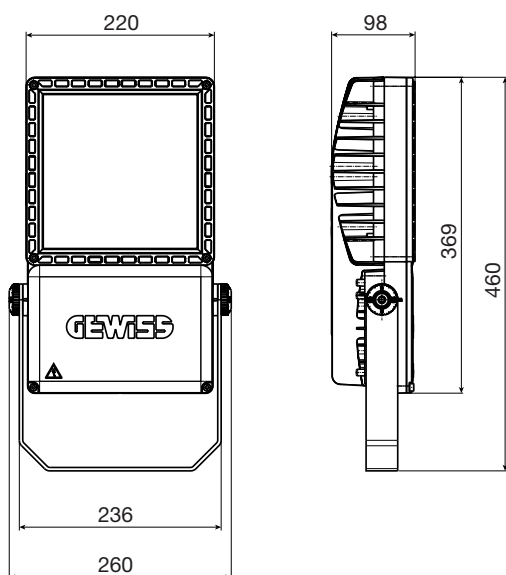
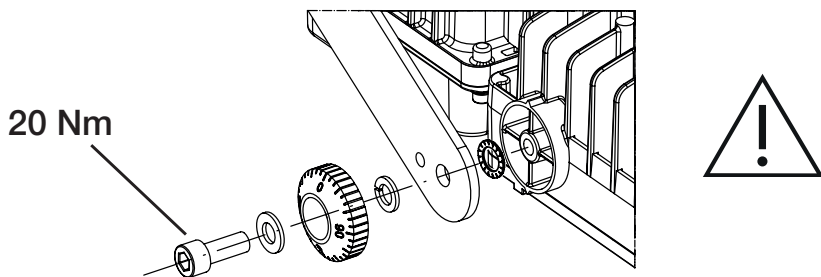
	1-10V	DALI
L	= L	L
N	= N	N
⊕	= ⊕	⊕
②	= +	DA+
①	= -	DA-

B



- ① M8
DIN7980
- ② M14
DIN7980





Punto di contatto indicato in adempimento ai fini delle direttive e regolamenti UE applicabili:
 Contact details according to the relevant European Directives and Regulations:
 GEWISS S.p.A. Via A.Volta, 1 IT-24069 Cenate Sotto (BG) Italy tel: +39 035 946 111 E-mail: qualitymarks@gewiss.com

According to applicable UK regulations, the company responsible for placing the goods in UK market is:
 GEWISS UK LTD - Unity House, Compass Point Business Park, 9 Stocks Bridge Way, ST IVES
 Cambridgeshire, PE27 5JL, United Kingdom tel: +44 1954 712757 E-mail: gewiss-uk@gewiss.com

+39 035 946 11
 8:30 - 12:30 / 14:00 - 18:00
 lunedì - venerdì / monday - friday

www.gewiss.com

