

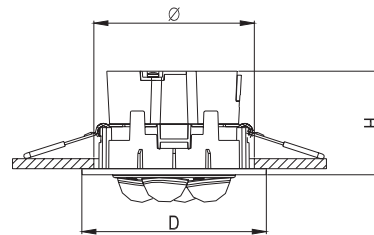
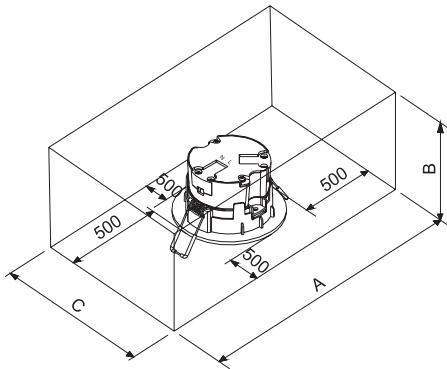
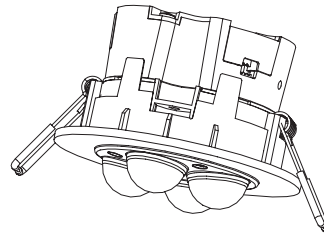
LED Smartlight-Rc-Sensor

Item
Code



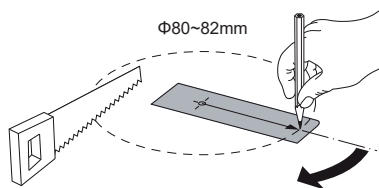
140063563

0.13kg

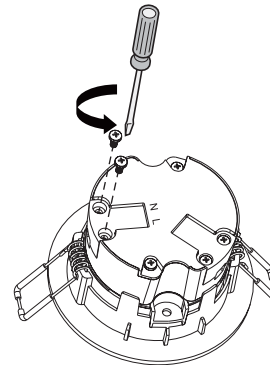


Type	A (mm)	B (mm)	C (mm)	H (mm)	Φ (mm)	D (mm)
LED Smart-RC-Sensor-BLE	1000	200	1000	52	80	92

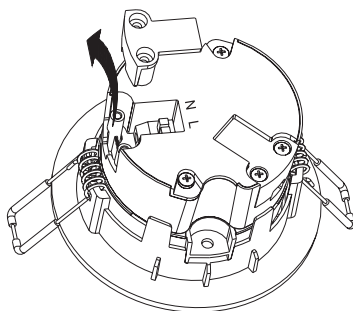
①



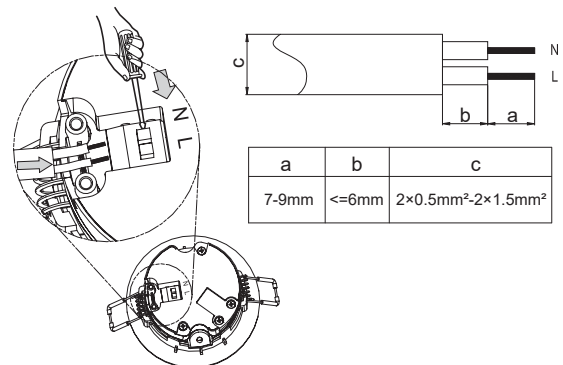
②



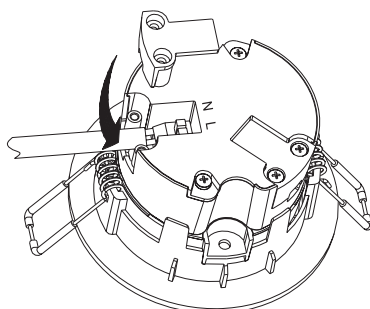
③



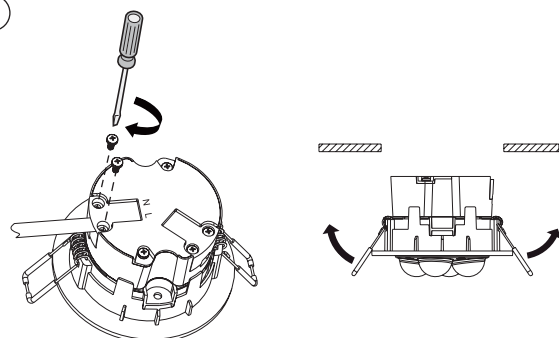
④

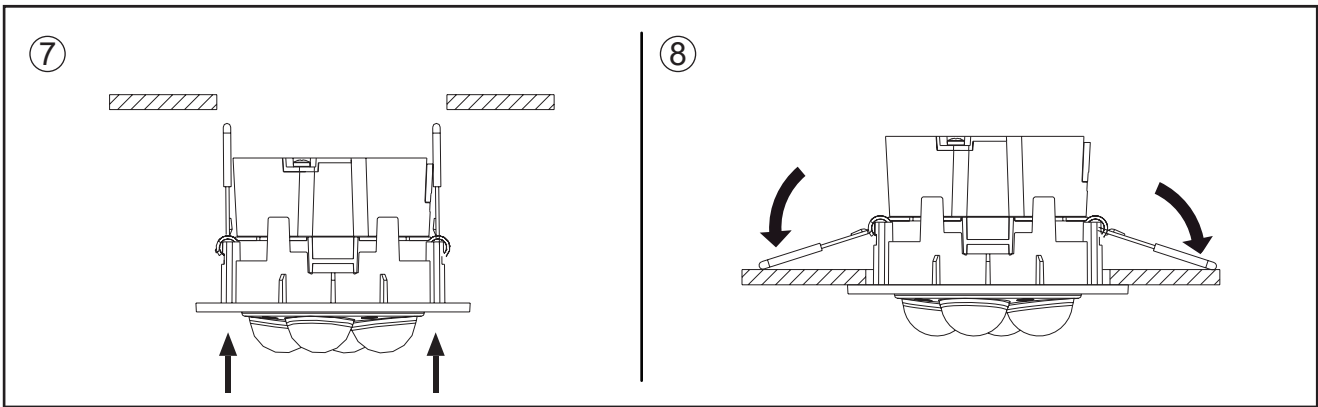


⑤

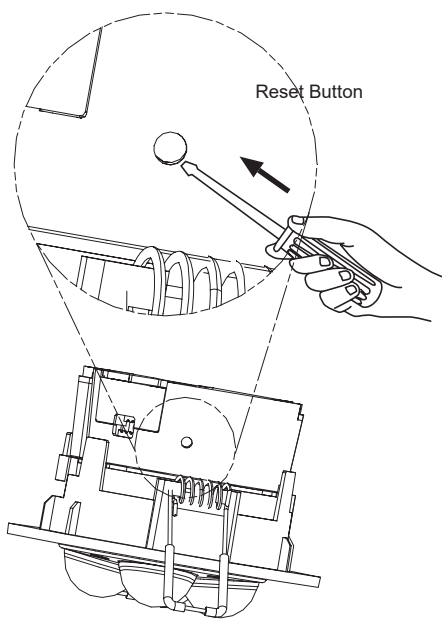


⑥

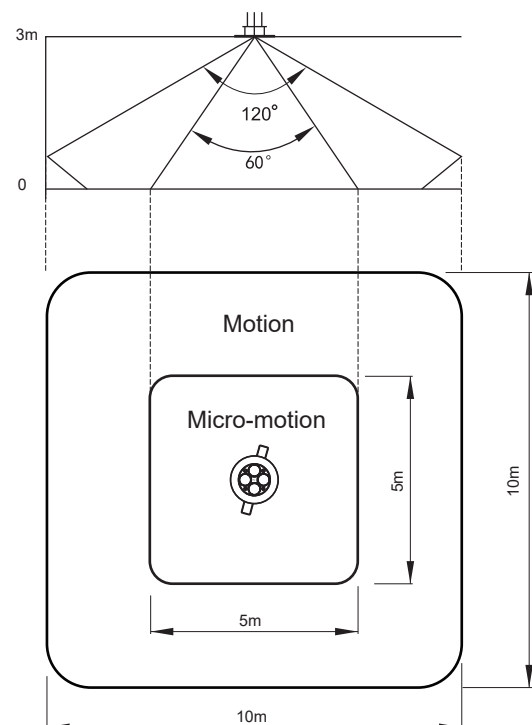




Reset button



Detection Range



Remark:

Motion: Walk

Micro-motion: Wave hand, Shake head

Reset

1.Reset button: Press and hold reset button for 4 seconds.

2.Power on/off: Power off and power on 3 times.

Remark: Reset successful when the LED Indicator flashes.

LED Indicator

1.Unpaired sensor: LED Indicator will light up for 30mins after power on, waiting for network pairing.

2.Paired sensor: LED Indicator will light up for 5s.

3.Detection: LED Indicator will flash when the first movement is detected.

Bluetooth Operating Frequency: 2402-2480 MHz

Bluetooth Max Transmission Power: <20dBm



In case of damage to the wires, it has to be replaced only by the manufacturer, distributor or an expert to avoid risks.

Zur Vermeidung von Risiken müssen defekte Leitungen ausschließlich vom Hersteller, Inverkehrbringer oder Fachmann ausgetauscht werden.



Data subject to change

Les données sont sujettes à modifications

Änderungen vorbehalten

Suzhou Opple Lighting Co.,Ltd.
215200
East Side, Fenyang Road,
Fenu Economic Development Zone,
Wujiang City, Jiangsu Province,
P.R.China

OPPLE Lighting B.V.
Materiaalweg 6-6A
5681 RJ Best
The Netherlands
service@opple.com
www.opple.com