

53015410	<b>DATA SHEET</b>	
Valid from: 23.11.2021	<b>SKINTOP® BT</b>	

The SKINTOP® BT with bending protection trumpet cable gland for flexible cables and wires. The supply cables to electrical appliances and machines, which are moved in normal used, must be protected against excessive bending. The clamping force has a central strain relieving effect on the entire cable perimeter, this is particularly important for bending protection.



### Component:

Gland body	Polyamide (UL 94/V2)
Cap nut with bending protection trumpet	Polyamide (UL 94/V2)
Sealing ring	CR

### Technical features:

Connecting thread	PG9 up to PG21 acc. to DIN 40430
Functional thread	Multi-start trapezoidal thread
Protection class / NEMA Type Rating	IP68 - 5 bar, test acc. to EN 60529 NEMA Type 1 and Type 12
Strain relief	in acc. to DIN 62444
Temperature range	-20°C up to +100°C
Color	RAL 7001 silver-grey

### Approvals:



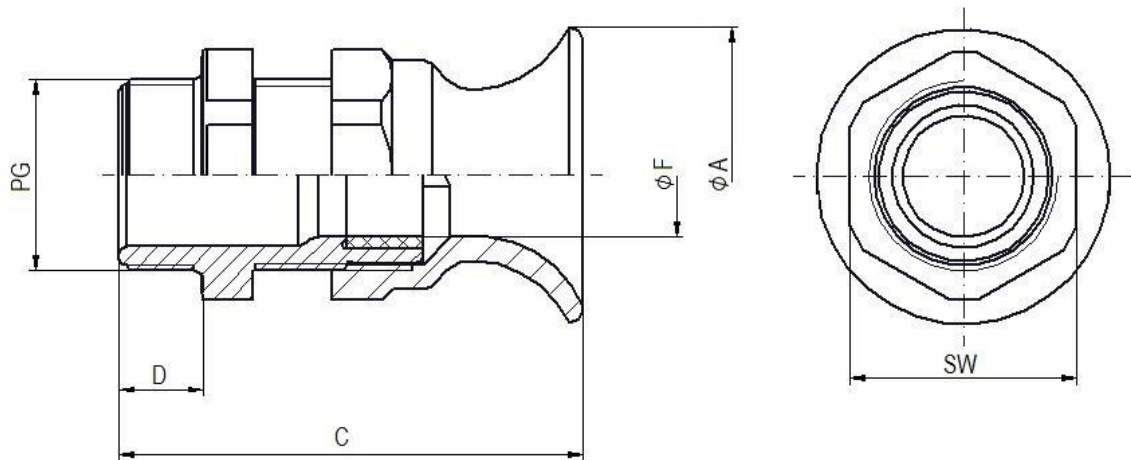
UL File Nr. E79903 (Test in acc. to UL514B)

### Norm references:



Creator: MAU1 /PDP Released: DAMU1/PDP	Document: DB53015410EN Version: 06	Page 1 of 2
---	---------------------------------------	-------------

53015410	<b>DATA SHEET</b>	
Valid from: 23.11.2021	<b>SKINTOP® BT</b>	



PG	SW [mm]	Ø A [mm]	C [mm] max.	D [mm]	Ø F [mm] Clamping range	Article No.
PG9	19	21,1	42,9	8	3,5 - 8	53015410
PG11	22	24,4	47,7	8	4 - 10	53015420
PG13,5	24	26,5	52,0	9	6 - 12	53015430
PG16	27	29,5	55,9	10	9 - 14	53015440
PG21	33	36,2	64,4	11	13 - 18	53015450

For more information please see our current catalogue. Please do not hesitate to contact our laboratory if there are any questions regarding resistance against aggressive agents and special oil.

Creator: MAU1 /PDP Released: DAMU1/PDP	Document: DB53015410EN Version: 06	Page 2 of 2
---	---------------------------------------	-------------