

FERINA

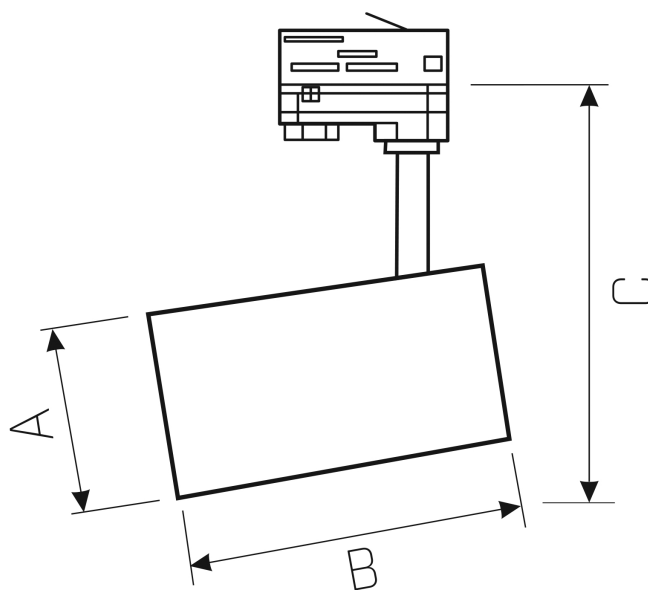
WOJP00439



Power	40 W	Voltage	230 V
Colour temperature	3000 K	Colour of light	WW
Beam angle	24 °	Degree of protection (IP)	IP20


Technical data

Code	WQJP00439
Power	40 W
Nominal current	191,3 mA
Voltage	230 V
Energy consumption	40 kWh/1000h
Frequency	50HZ Hz
Protection class	I
Power supply included	+
Manufacturer of power supply	TRIDONIC
Power factor	0,93
Useful luminous flux*	4000 lm (360°)
Luminous flux**	4000 lm (360°)
Lamp efficacy	100 lm/W
Colour temperature	3000 K
Colour of light	WW
Beam angle	24 °
RA	90
Light source included	+
Producer of LED diodes	CREE
Uniformity of color SDCM max	3
Dimmable	No
Working temperature range	-20/+40 °
Lifespan	50000 h
Housing material	Aluminum
Degree of protection (IP)	IP20
Colour	White
Dimension (AxBxC)	130x220x245 mm
For use	Inside
Assembly method	on track
Application	Inside
Made in	PL



Related documents



 Declaration of Conformity



 Photometric file