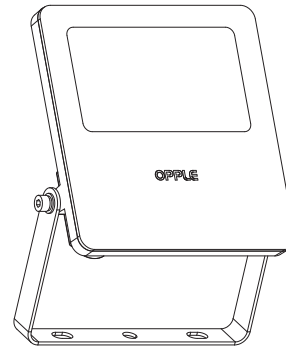


LED Flood Light EcoMax

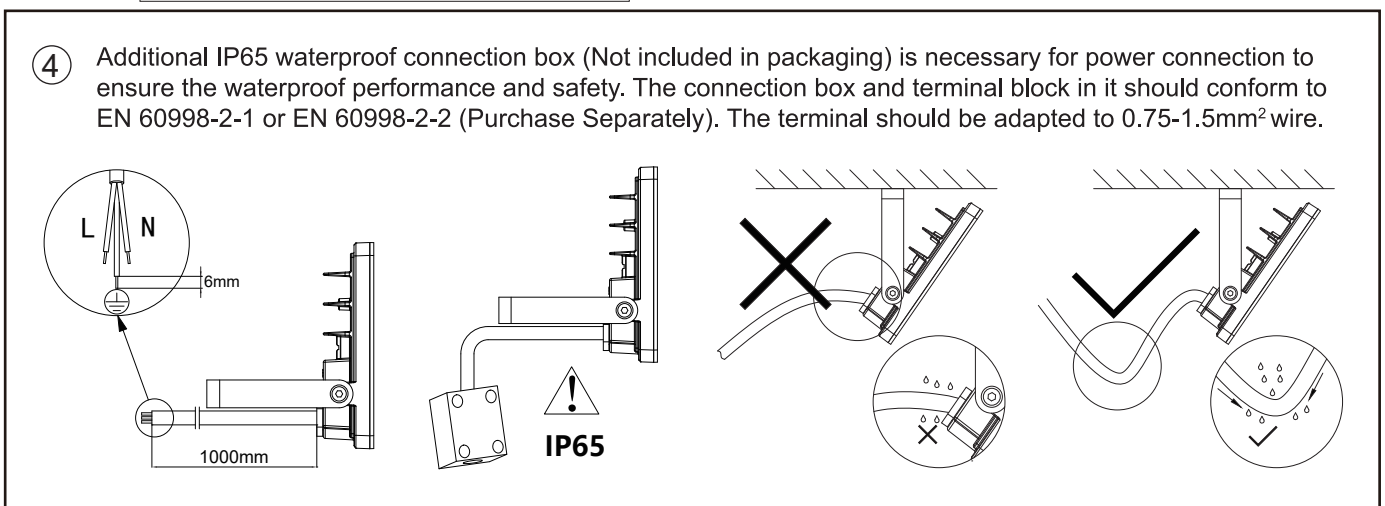
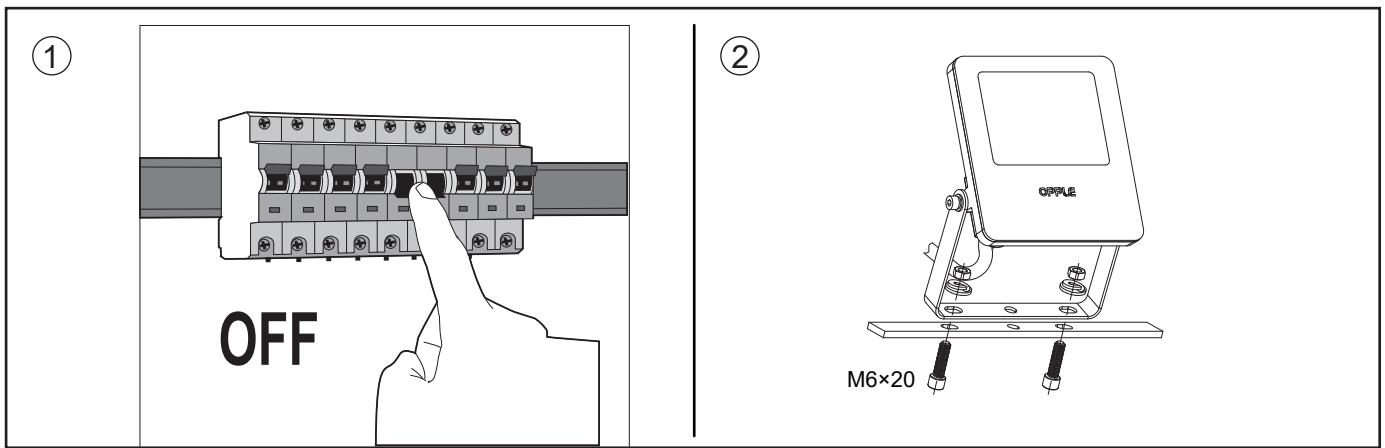
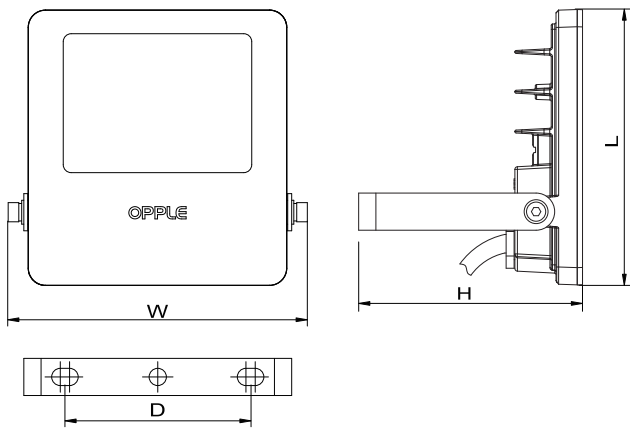
OPPLE

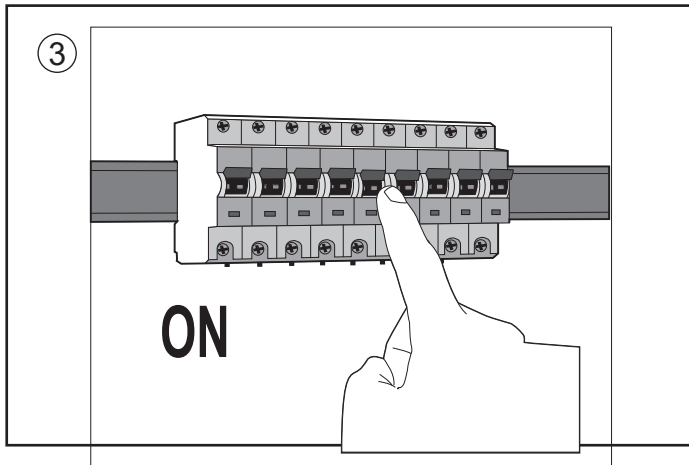
Version date 22-03-2019
www.opple.com

Item Code	CCT	kg
543017020400	3000K	0.2kg
543006000600	4000K	0.2kg
543006000700	3000K	0.25kg
543006000800	4000K	0.25kg
543017020500	3000K	0.2kg
543006000900	4000K	0.2kg
543006001000	3000K	0.25kg
543006001100	4000K	0.25kg



Model	L (mm)	W (mm)	H (mm)	D (mm)
LED FL-E2 R113-10W	104	113	84.4	70
LED FL-E2 R127-19W	117	127	84.4	70





- a) Applications : yards, buildings, squares, etc.
- b) Range of mounting heights : from ground to buildings.
- c) Suitability for use outdoors .



In case of broken glass the luminaire should be disposed of.

In case of damage to the wire, it has to be replaced only by the manufacturer, distributor or by an expert, to avoid risks.



Caution: Any operation on LED module is forbidden while power-on.

Zur Vermeidung von Risiken müssen defekte Leitungen ausschließlich vom Hersteller, Inverkehrbringer oder Fachmann ausgetauscht werden.

Achtung: In Betrieb ist keine Arbeit am LED-Modul erlaubt.

The light source of this luminaire is not replaceable; when the light source reaches its end of life the whole luminaire shall be replaced.

Das Leuchtmittel dieser Leuchte ist nicht austauschbar. Wenn das Leuchtmittel das Ende seiner Lebensdauer erreicht hat, muss die gesamte Leuchte ersetzt werden.



For use in environments where normal non-conductive/conductive dust accumulation may be expected, not for use in environments with expected high/unusual dust accumulation.

