

# LIMEA MINI 2

SLI028037NW\_PW

Hermetic luminaire LIMEA MINI 2, with a power of 36 W, high light efficacy 123 lm/W. It has a very high degree of protection IP65, providing protection against the ingress of dust and water jets. It shines with light of neutral - the most universal colour (4000K). Suitable for both surface and suspended mounting. The product is certified by the National Institute of Hygiene, so it can be used in rooms with high hygienic requirements.

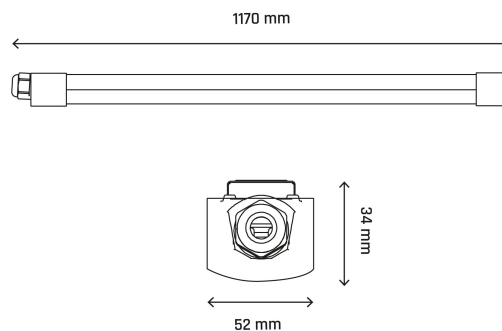
IP65



Power	<b>36 W</b>	Voltage	<b>230 V</b>
Luminous flux*	<b>4400 lm (360°)</b>	Colour temperature	<b>4000 K</b>
Colour of light	<b>Neutral white</b>	Beam angle	<b>120 °</b>
Degree of protection (IP)	<b>IP65</b>		


## Technical data

Code	SLI028037NW_PW
Power	36 W
Nominal current	174 mA
Voltage	230 V
Energy consumption	36 kWh/1000h
Frequency	50HZ Hz
Protection class	II
Power factor	0.9
Useful luminous flux*	4400 lm (360°)
Luminous flux**	4300 lm (360°)
Lamp efficacy	123 lm/W
Colour temperature	4000 K
Colour of light	Neutral white
Beam angle	120 °
RA	80
Light source included	Yes
Uniformity of color SDCM max	5
Dimmable	No
Working temperature range	-20/+40 °
Lifespan	17000 h
Housing material	plastic
Degree of protection (IP)	IP65
Colour	White
Dimension (AxBxC)	1170x52x34 mm
For use	Inside/Outside
Assembly method	On the ceiling, Suspended
Application	Inside/Outside
Made in	PRC




## Related documents



 User manual



 Declaration of Conformity

