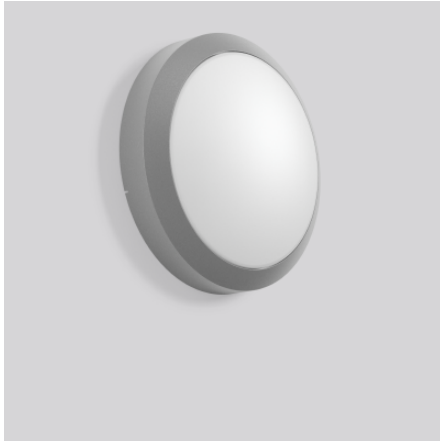


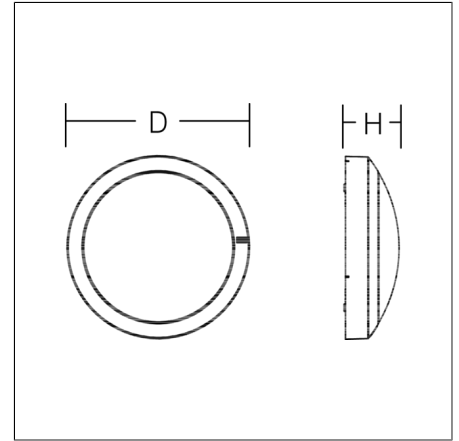
# ROUNDED maxi

## 581639.004.1 | Ceiling and wall luminaires



Ceiling and wall luminaires  
4051859227304  
D 400, H 120

Ceiling mounting, Wall (surface)  
silver, matt (approx. RAL 9006)



Round ceiling and wall luminaire with elegant appearance for outdoor use. Base and housing made of corrosion resistant pressure die-cast aluminium, seawater resistant powder-coated. With membrane valve as a standard to avoid condensed water. Diffuser: crystal glass (satin finish) with diffuser fixing. Base fixing slots outside of gasketed area, drill hole deviations can be compensated. Screwless cover fixing via bayonet lock with safety catch. Includes 1 anti-theft device. Mains connection 2 x 3 x 1.5 mm<sup>2</sup>. Second cable inlet for loop through.

### Product specifications

Diameter D	400 mm
Height H	120 mm
Weight	5.1 kg
Light source	LED
Colour temperature	4000 K
Rated luminous flux	1250 lm
System power	19 W
System efficiency	66 lm/W
Glare evaluation UGR (4H 8H)	21,3
Beam angle	116°
Rated life	50000 h (L80/B10)
Colour rendering index (CRI)	83
Colour tolerance	3
Photobiological safety according to EN 62471	Risk group 1
Driver	Converter
Control	on/off
Voltage	220 - 240 V / 50 - 60 Hz
Luminaires on B10A fuse	77
Luminaires on B16A fuse	124
Luminaires on C10A fuse	77
Luminaires on C16A fuse	124
CIE Flux Code / CEN Flux Code	43 73 91 96 100
Type of protection	IP 65
Protection class	I
Filament test	960°C - 30 seconds
Impact resistance	IK07
Ambient temperature	-20 °C ... + 40 °C
Conformity mark	CE, EAC

### Accessories



982410.003  
Theft protection

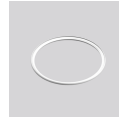
# ROUNDED maxi

581639.004.1 | Ceiling and wall luminaires

## Spareparts



981212.002  
Replacement glass



982585.002  
Replacement gasket