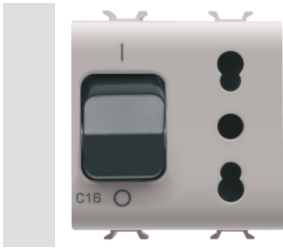


Product Data Sheet

GW13311

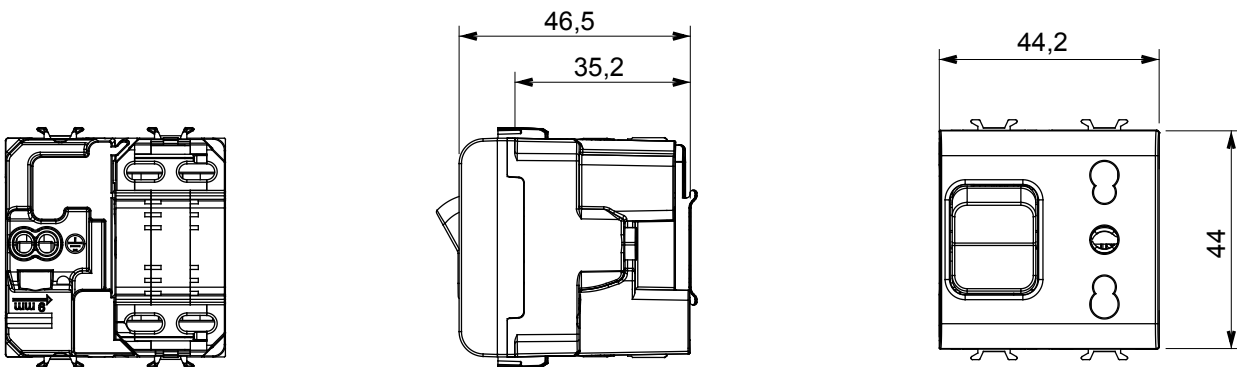
CHORUSMART - domestic range



Wide range of control devices, sockets for power supply (conforming to national and international standards) signal pick-up, climate control, comfort management, technical alarm signalling and emergency lighting management. The ChoruSmart modular devices are available in five colours, glossy white, satin white, natural beige, satin black and lacquered titanium and in various sizes from 1/2, 1, 2 and 3 modules. Thanks to the mounting supports for rectangular, square and round boxes, endless combinations can be created with the ChoruSmart range of plates.

Category	Dual amperage interlocked socket-outlet	Description	2P+E - 16A
Colour	Natural satin beige	Type	Interlocked
Voltage	230V ac	Standard	English
Wiring terminals	With screw	Protection	MCB
Socket-out type	P17-P11	Miniature circuit breakers	1P+N 16A
Breaking capacity	3 kA	Standard	IEC 60884-1; EN 60898-1
Resistance at test voltage	2000 V at 50 Hz for 1 minute	Insulation resistance	> 5 MOhm
Prolonged operation socket (no.of position changes)	10.000 at In 250 V ac cos ϕ =0,8	Thermo-pressure with ball	125 °C
Glow Wire Test	850 °C	Terminal grip on cable traction	> 50 N
Terminal tightening capacity stranded cables (mm ²)	min. 0,75 - max. 2x4	Terminal tightening capacity solid cables (mm ²)	min. 0,5 - max. 2x2,5
No. modules	2	Electrocod	0131
Material	Technopolymer		

DIMENSIONAL



TECHNICAL SYMBOLOGY



STANDARDS/APPROVALS

