



Description Automatic reclosing device

Code ReStart Rm PRO 2P

Suitable for RCBO's MDC - 1P+N/2P - 100-300 mA

Rated voltage AC 230 V

Rated current 6 - 10 - 16 - 20 - 25 - 32 A

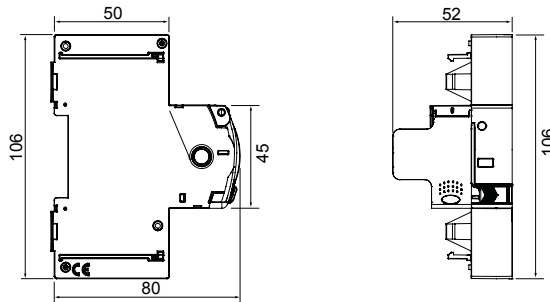
No. modules 1

Standard EN 50557

Rated frequency (Hz) 50 - 60 Hz

Distribution system	TT - TN-S	Rated non-operating resistance between live parts and earth (Rdo)	2,5 kΩ	
Insulation voltage	500 V	Rated operating resistance between live parts and earth (Rd)	5 kΩ	
Rated impulse withstand voltage	4 kV	Maximum operating frequency	30 oper./h	
Overvoltage category	III	Mechanical endurance	4000	
Dielectric strength test voltage between pole and earth	2500 Vac for 1 minute	Type of residual current protection	AC - A - A[S]	
Rated residual operating current	300 mA	Operating temperature	-5 +60 °C	
Stocking temperature	-40 +70 °C	Automatic reclosure for untimely tripping	Yes	
Earth failure test	Yes	Continuous system monitoring	Yes	
Complete with	One device among: GWD0953 Wi-Fi Module - GWD0951 Auxiliary contact - GW90992 RS485 BUS Module		Number of poles	2P
Electrocod	1414	Compatibility with WiFi interface	Yes	

DIMENSIONAL



STANDARDS/APPROVALS

