



# MASTER - LED HID HPL



## MAS LED HPL M 6Klm 33.5W 840 E27 FR G

Philips Master LED HPL lamps offer an easy and short payback LED solution to replace High Intensity Discharge (HID) lamps. The products bring the energy efficiency and long lifetime benefits of LED to HID HPL replacement and provide instant saving and low initial investment. With the right lamp size and light distribution, you can easily retrofit Master LED HPL urban lamps and bypass the existing ballast while enhancing the lighting quality.

### Warnings and Safety

- Please refer to the installation guide or consult a Philips Lighting representative for wiring diagram and instructions.

### Product data

General Information	
Cap-Base	E27
Nominal lifetime	50,000 hour(s)
Switching Cycle	50,000
Lighting Technology	LED
Flux measurement reference	Sphere

Light Technical	
Color Code	840 [CCT of 4000K]
Beam Angle (Nom)	300 degree(s)
Luminous Flux	6,000 lm
Color Designation	Cool White (CW)
Correlated Color Temperature (Nom)	4000 K
Luminous Efficacy (rated) (Nom)	179 lm/W
Color Consistency	<6
Color rendering index (CRI)	80

Operating and Electrical	
LLMF At End Of Nominal Lifetime (Nom)	70 %
Photobiological safety according to EN 62471	RG0
Line Frequency	50 to 60 Hz
Input Frequency	50 to 60 Hz
Power Consumption	33.5 W
Lamp Current (Nom)	150 mA
Starting Time (Nom)	0.5 s
Warm-up time to 60% light	45 s
Power Factor (Fraction)	0.9
Voltage (Nom)	220-240 V
Ballast Compatibility	Mains
Inrush current at mains	23.2
Max. lamp no. on MCB B type 10A - Mains	8

# MASTER - LED HID HPL

Max. lamp no. on MCB B type 10A – EM ballast without Compensation Capacitor.	-
Max. lamp no. on MCB B type 10A – EM ballast with Compensation Capacitor.	-
Max. lamp no. on MCB B type 16A – Mains	13
Max. lamp no. on MCB B type 16A – EM ballast without Compensation Capacitor.	-
Max. lamp no. on MCB B type 16A – EM ballast with Compensation Capacitor.	-

## Temperature

T-Case Maximum (Nom)	65 °C
----------------------	-------

## Controls and Dimming

Dimmable	No
----------	----

## Mechanical and Housing

Bulb Finish	Frosted
Bulb Material	Glass
Bulb Shape	Tube, single-ended
Net Weight (Piece)	0.200 kg

## Approval and Application

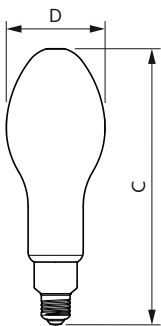
Energy Efficiency Class	C
-------------------------	---

Energy Consumption kWh/1000 h	34 kWh
EPREL Registration Number	1363716
CE mark	Yes
EU RoHS compliant	Yes
Flickering value (PstLM) - Flickering value as per EN 61000-3-3	1
Stroboscopic effect visibility measure (SVM)	1.6
Ambient temperature range	-30 to +45 °C

## Product Data

Order product name	MAS LED HPL M 6Klm 33.5W 840 E27 FR G
Full product name	MAS LED HPL M 6Klm 33.5W 840 E27 FR G
Full product code	871951445203900
Order code	929003531202
Material Nr. (12NC)	929003531202
Numerator - Quantity Per Pack	1
EAN/UPC - Product/Case	8719514452039
Numerator - Packs per outer box	6
EAN/UPC - Case	8719514452046

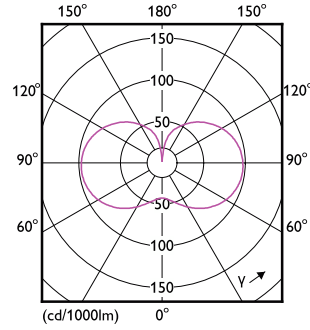
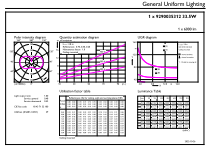
## Dimensional drawing



Product	D	C
MAS LED HPL M 6Klm 33.5W 840 E27 FR G	91 mm	249 mm

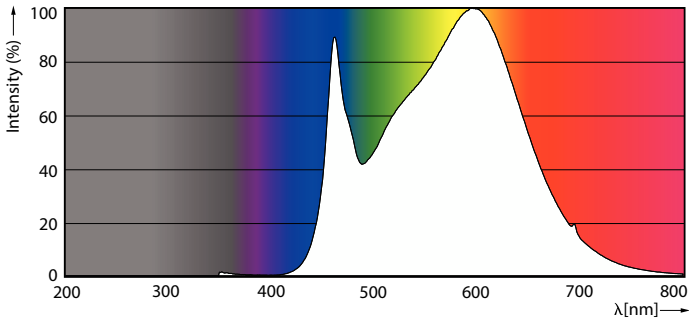
# MASTER - LED HID HPL

## Photometric data



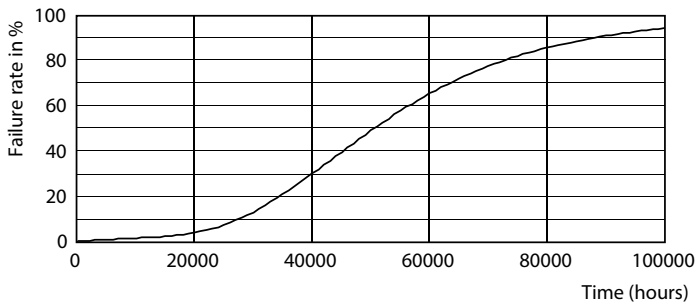
General uniform lighting - MAS LED HPL M 6Klm 33.5W 840 E27 FR G

Light Distribution Diagram - MAS LED HPL M 6Klm 33.5W 840 E27 FR G

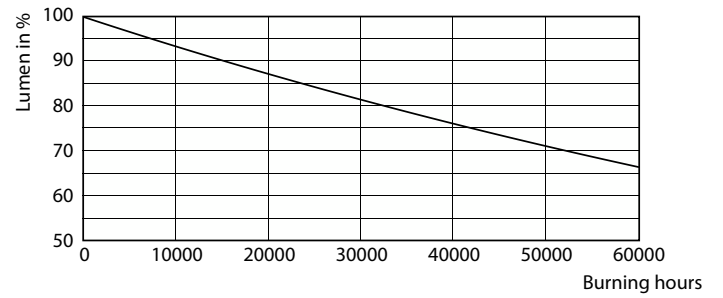


Spectral Power Distribution Colour - MAS LED HPL M 6Klm 33.5W 840 E27 FR G

## Lifetime



Life Expectancy Diagram



Lumen Maintenance Diagram - MAS LED HPL M 6Klm 33.5W 840 E27 FR G

## MASTER - LED HID HPL

