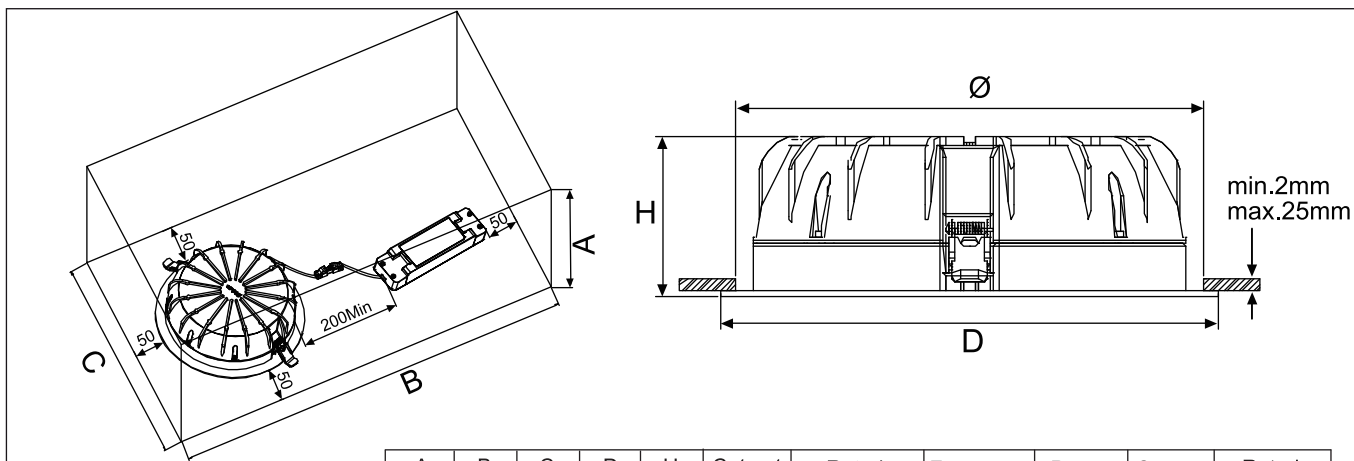
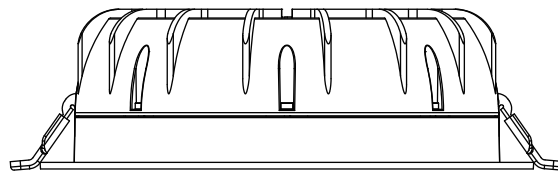


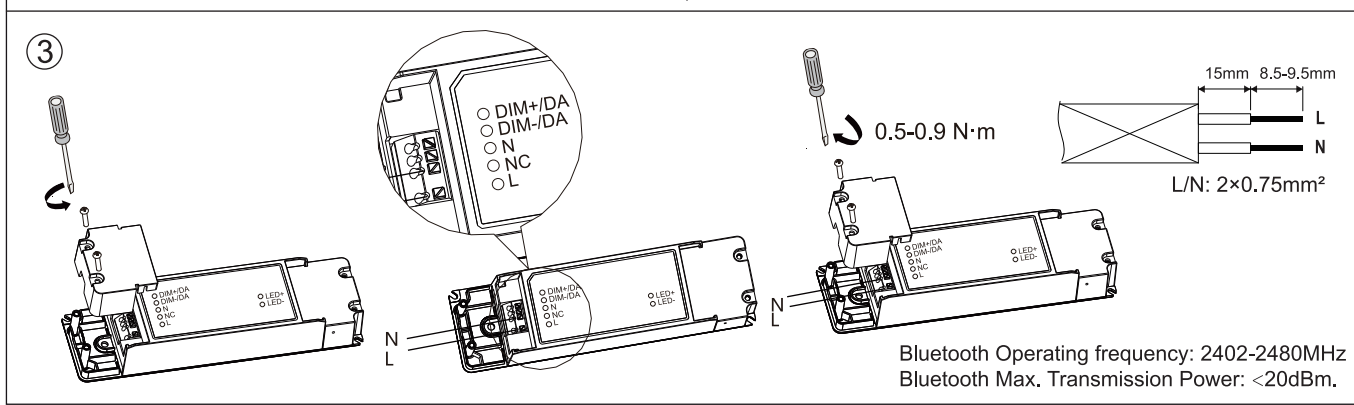
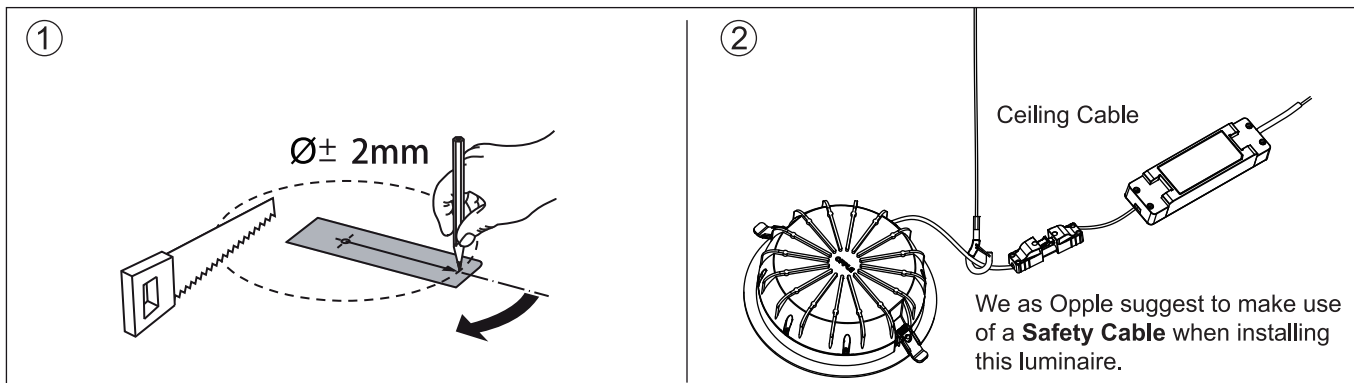
LED Downlight Performer

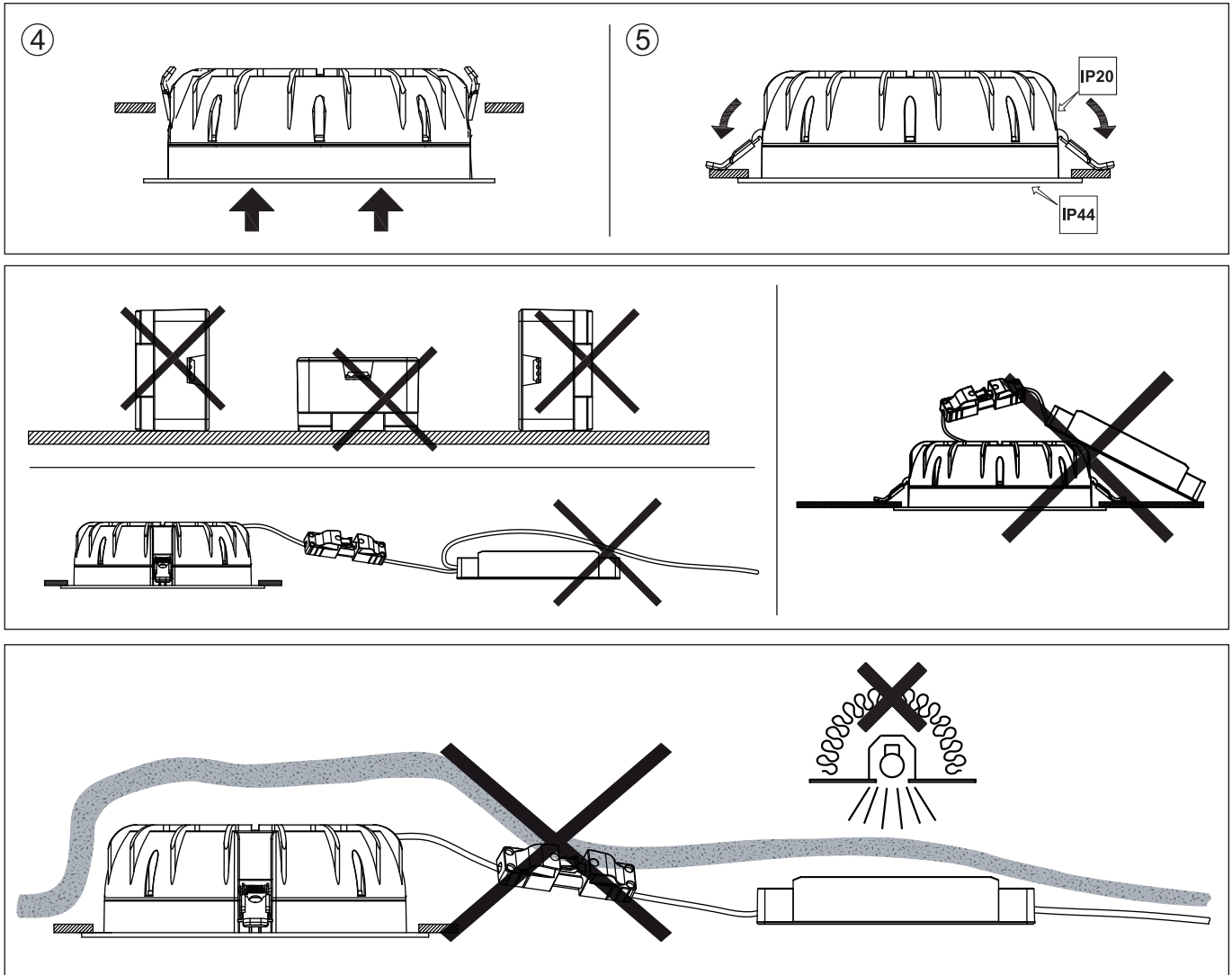
Version date 15-11-2022
www.opple.com

Model	CCT	kg
LED DL-RC-P-HG R150-11.5W BLE	3000K / 4000K	0.48kg
LED DL-RC-P-HG R200-15W BLE	3000K / 4000K	0.8kg
LED DL-RC-P-HG R200-23W BLE	3000K / 4000K	0.8kg
LED DL-RC-P-HG R200-33W BLE	3000K / 4000K	0.8kg
LED DL-RC-P-HG R200-25W Dim-B-TW	2700K~6500K*	0.763kg
LED DL-RC-P-MW R150-11.5W BLE	3000K / 4000K	0.48kg
LED DL-RC-P-MW R200-15W BLE	3000K / 4000K	0.8kg
LED DL-RC-P-MW R200-23W BLE	3000K / 4000K	0.8kg
LED DL-RC-P-MW R200-33W BLE	3000K / 4000K	0.8kg
LED DL-RC-P-HG R200-25W Dim-B-TW	2700K~6500K*	0.763kg



Model	A (mm)	B (mm)	C (mm)	D (mm)	H (mm)	Cut out (mm)	Rated Voltage (V~)	Frequency (Hz)	Power Factor	Current (A)	Rated Power (W)
LED DL-RC-P-HG R150-11.5W BLE	83	645	265	165	58	140-150	220-240	50/60	0.9	0.055	11.5
LED DL-RC-P-HG R200-15W BLE	123	705	325	225	73	200				0.07	15
LED DL-RC-P-HG R200-23W BLE										0.12	23
LED DL-RC-P-HG R200-33W BLE										0.16	33
LED DL-RC-P-HG R200-25W Dim-B-TW										0.165	25
LED DL-RC-P-MW R150-11.5W BLE	83	645	265	165	58	140-150				0.055	11.5
LED DL-RC-P-MW R200-15W BLE	123	705	325	225	73	200				0.07	15
LED DL-RC-P-MW R200-23W BLE										0.12	23
LED DL-RC-P-MW R200-33W BLE										0.16	33
LED DL-RC-P-MW R200-25W Dim-B-TW										0.165	25





The NFC function is only used for factory internal modulation testing.



Caution: Any operation on LED module is forbidden while power-on.
Zur Vermeidung von Risiken müssen defekte Leitungen ausschließlich vom Hersteller, Inverkehrbringer oder Fachmann ausgetauscht werden.
Achtung: In betrieb ist keine Arbeit am LED-Modul erlaubt.

If the external flexible cable or cord of this luminaire is damaged, it shall be exclusively replaced by the manufacturer or his service agent or a similar qualified person in order to avoid a hazard.

Wenn das externe flexible Kabel oder die Leitung dieser Leuchte beschädigt ist, darf es ausschließlich vom Hersteller oder dem Kundendienst oder einer ähnlich qualifizierten Person ersetzt werden, um Gefahren zu vermeiden.



Luminaires not suitable for covering with thermally insulating material.
Leuchten sind nicht mit thermisch isolierenden Materialien abzudecken.

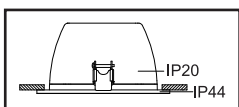
For non-user replaceable light sources:

The light source contained in this luminaire shall only be replaced by the manufacturer or his service agent or a similar qualified person.



Für nicht vom Benutzer austauschbare Lichtquellen:

Die in dieser Leuchte enthaltene Lichtquelle darf nur vom Hersteller oder seinem Servicevertreter oder einer ähnlich qualifizierten Person ausgetauscht werden.



Terminal block not included. Installation may require advice from a qualified person.

Only use suitable connection boxes with internal terminal blocks conform to EN60998-2-1 or EN60998-2-2 Terminal should be capable for at least 450V 16A, 0.75mm² wiring.

