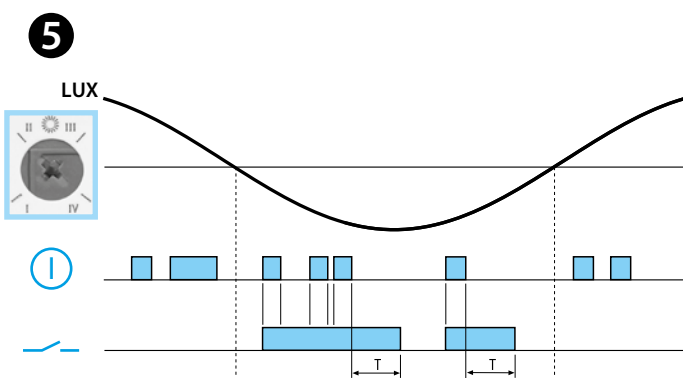
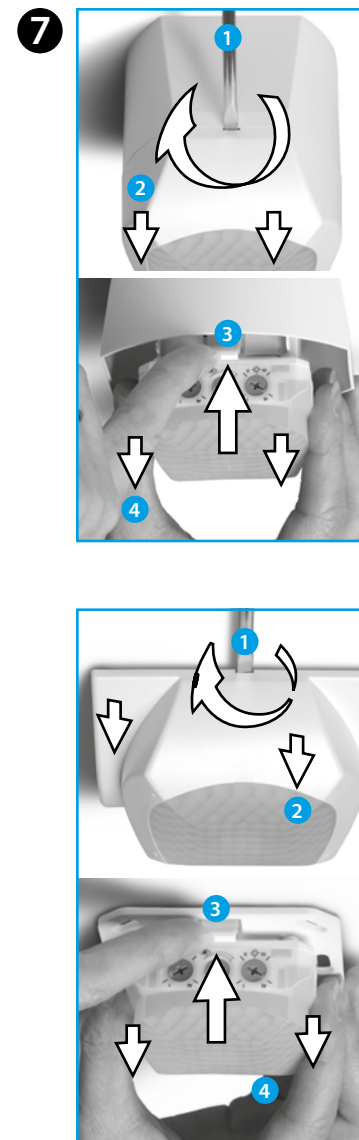
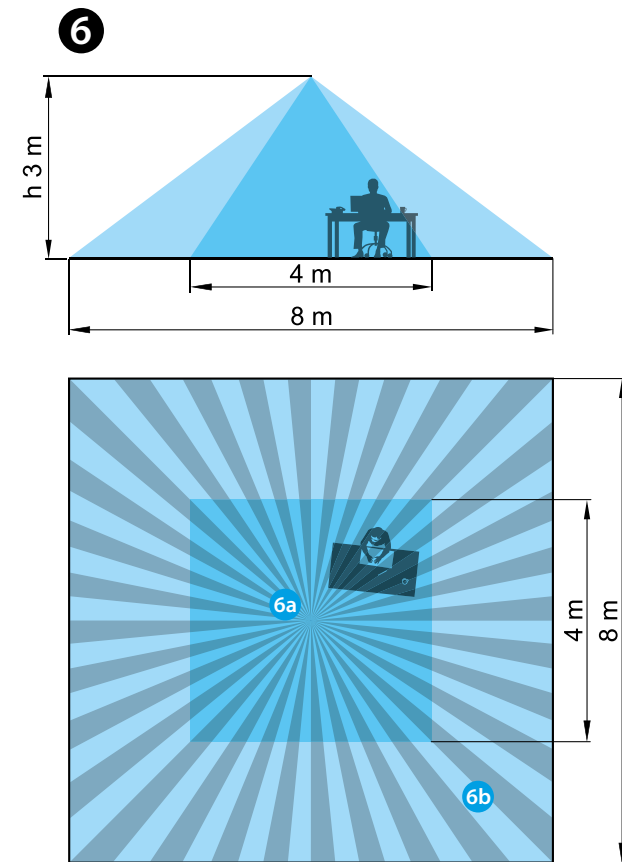
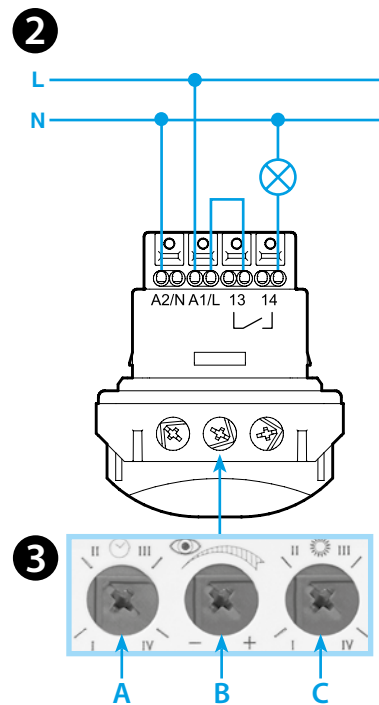
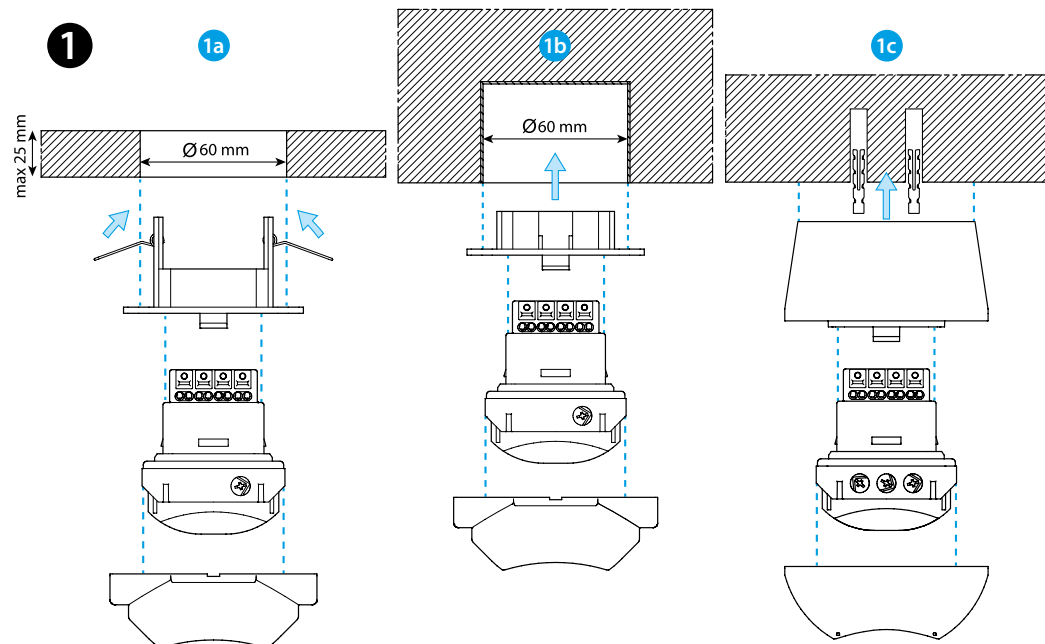
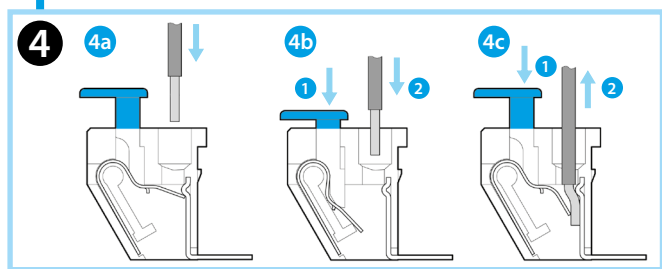
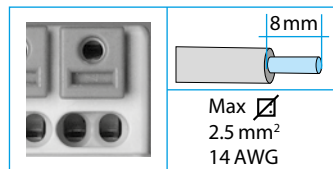




18.51

EN 60669-1 / EN 60669-2-1	
<b>18.51.8.230.0300</b>	
U <sub>N</sub> (110...230)V AC (50/60 Hz)	
U <sub>min</sub> 96 V AC	
U <sub>max</sub> 253 V AC	
P 1.5 VA (50 Hz) / 1 W	
1 NO (SPST-NO)	
10 A 250 V AC	
AC1	2500 VA
AC15	450 VA
(230 V)	1000 W
(230 V)	350 W
<b>CFL-LED (230 V)</b>	300 W
(-10...+50)°C	
IP40	



# ENGLISH

## 18.51 PIR MOVEMENT AND PRESENCE DETECTOR

- INSTALLATION**
  - 1a Suspended ceiling mounting
  - 1b Recess mounting
  - 1c Surface mounting
- WIRING DIAGRAM**
- SETTINGS**
  - A Turn-off delay setting (I = 12 s - II = 3 min - III = 15 min - IV = 35 min)
  - B Sensitivity setting: Adjust sensitivity to suit the location and avoid false triggering
  - C Ambient light intervention threshold setting (I = 1 lx - II = 10 lx - III = 500 lx - IV = always ON (∞ lx))
- TERMINAL PUSH-IN CONNECTION**
  - 4a Connection-solid cable or with ferrules
  - 4b Connection-stranded cable
  - 4c Disconnection
- FUNCTION CHART**
  - Detection of movement
  - Output Contact
- SENSING AREA**
  - 2 sensing area (h = 3 m):
  - 6a Presence (micromovements): (4x4)m
  - 6b Movement: (8x8)m
  - Sensing area 360°
- DISMOUNTING**