

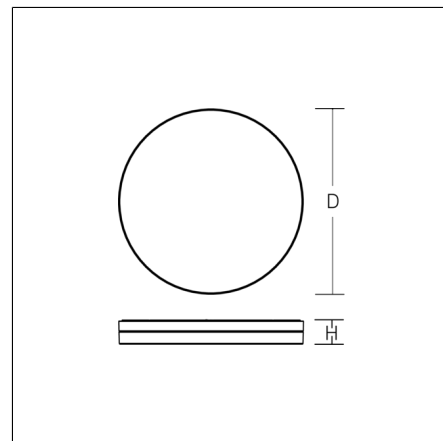
FLAT SLIM round

312632.0031.1 | Ceiling and wall luminaires



Ceiling and wall luminaires
4051859772682
D 400, H 70

Ceiling mounting, Wall (surface)
anthracite metallic (DB703)



Decorative round LED surface-mounted luminaire for indoor and outdoor use. Base: pressure die-cast aluminium, powder-coated. Standard Gore™ Protective Vents diaphragm valve to avoid condensation. Diffuser made of plastic (polycarbonate), opal, shockproof. Diffuser fastening: bayonet system. Uniform lighting achieved by the use of LED panel boards. Suitable for Ceiling mounting, Wall (surface). Very easy installation thanks to plug & play connection. The large connection compartment on the back for convenient connections is also ideal for through wiring. MultiLumen: 2 steps adjustable luminous flux. Factory setting is the highest luminous flux. MultiColour: Colour temperature individually adjustable either 3000 K or 4000 K via switching element. Factory setting is 3000 K.

Product specifications

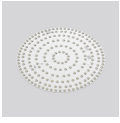
Diameter D	400 mm
Height H	70 mm
Weight	2.87 kg
Light source	LED
Colour temperature	3000 K 4000 K
Rated luminous flux	3000 K: 2450 lm 4000 lm 4000 K: 2500 lm 4100 lm
System power	3000 K: 18 W 29 W 4000 K: 18 W 29 W
System efficiency	3000 K: 136 lm/W 138 lm/W 4000 K: 139 lm/W 141 lm/W
Glare evaluation UGR (4H 8H)	3000 K: 22,5 24,2 4000 K: 22,6 24,3
Beam angle	down 142° up 180°
Rated life	50000 h (L90/B50)
Colour rendering index (CRI)	80
Colour tolerance	3
Photobiological safety according to EN 62471	Risk group 1
Driver	Converter
Control	on/off
Voltage	220 - 240 V / 50 Hz, 60 Hz
Luminaires on B10A fuse	31
Luminaires on B16A fuse	50
Luminaires on C10A fuse	52
Luminaires on C16A fuse	85
Inrush current / Inrush current duration	5 A / 50 µs
CIE Flux Code / CEN Flux Code	37 67 88 84 100
Type of protection	IP 65
Protection class	I
Filament test	850 °C
Impact resistance	IK08
Ambient temperature	-25 °C ... + 35 °C
Safety marks	D-mark
Conformity mark	CE, EAC

FLAT SLIM round

312632.0031.1 | Ceiling and wall luminaires



Spareparts



982972.002
Replacement LED module



982896.002
Replacement diffuser