





The information provided in this documentation contains general descriptions and/or technical characteristics of the performance of the products contained herein. This documentation is not intended as a substitute for and is not to be used for determining suitability or reliability of these products for specific user applications. It is the duty of any such user or integrator to perform the appropriate and complete risk analysis, evaluation and testing of the products with respect to the relevant specific application or use thereof. Neither Schneider Electric nor any of its affiliates or subsidiaries shall be responsible or liable for misuse of the information contained herein. If you have any suggestions for improvements or amendments or have found errors in this publication, please notify us.

You agree not to reproduce, other than for your own personal, noncommercial use, all or part of this document on any medium whatsoever without permission of Schneider Electric, given in writing. You also agree not to establish any hypertext links to this document or its content. Schneider Electric does not grant any right or license for the personal and noncommercial use of the document or its content, except for a non-exclusive license to consult it on an “as is” basis, at your own risk. All other rights are reserved.

All pertinent state, regional, and local safety regulations must be observed when installing and using this product. For reasons of safety and to help ensure compliance with documented system data, only the manufacturer should perform repairs to components.

When devices are used for applications with technical safety requirements, the relevant instructions must be followed.

Failure to use Schneider Electric software or approved software with our hardware products may result in injury, harm, or improper operating results.

Failure to observe this information can result in injury or equipment damage.

© 2020 Schneider Electric. All rights reserved.

---

**Table of contents**



---

|  |           |
|--|-----------|
| <b>Safety instructions</b> .....         | <b>4</b>  |
| <b>General safety instructions</b> ..... | <b>6</b>  |
| <b>Overview</b> .....                    | <b>7</b>  |
| <b>Servicing</b> .....                   | <b>14</b> |
| <b>Trouble Shooting</b> .....            | <b>15</b> |
| <b>Spare Parts</b> .....                 | <b>16</b> |
| <b>Maintenance</b> .....                 | <b>17</b> |

# Safety instructions



## Important information

### NOTICE

Read these instructions carefully and look at the equipment to become familiar with the device before trying to install, operate, or maintain it. The following special messages may appear throughout this bulletin or on the equipment to warn of potential hazards or to call attention to information that clarifies or simplifies a procedure.



The addition of this symbol to a “Danger” safety label on the product indicates that an electrical hazard exists which will result in personal injury or death if the instructions are not followed.



This is the safety alert symbol. It is used to alert you to potential personal injury hazards. Obey all safety messages that follow this symbol to avoid possible injury or death.

#### **DANGER**

**DANGER** indicates an imminently hazardous situation which, if not avoided, will result in death or serious injury.

#### **WARNING**

**WARNING** indicates a potentially hazardous situation which, if not avoided, can result in death or serious injury.

#### **CAUTION**

**CAUTION** indicates a potentially hazardous situation which, if not avoided, can result in minor or moderate injury.

#### **NOTICE**

**NOTICE** is used to address practices not related to physical injury.

## IMPORTANT NOTES

Electrical equipment should be installed, operated, serviced, and maintained only by qualified personnel. No responsibility is assumed by Schneider Electric for any consequences arising out of the use of this equipment.

A qualified person is one who has skills and knowledge related to the construction, installation and operation of electrical equipment and who has received safety training to recognize and avoid the hazards involved.

Read this guide carefully and examine the equipment to become familiar with its operation before installing it.  
This guide must be kept for future use.

All applicable local, regional, and national regulations must be respected when installing, repairing, and maintaining this equipment.

This device should not be installed if, when unpacking, you observe that it is damaged.

This device cannot be used to control the room ventilation on demand from the vehicle.

---

## About this guide



---

### Purpose of this manual

Technical documentation is an integral part of a product. Until it is disposed of, always keep the technical documentation close to the unit at hand, as it contains important information. Provide technical documentation to the person concerned if you sell, assign or lend the product.

This guide aims to provide informations needed for maintenance of the charging station Schneider Electric EVlink DC 24kW Wallbox. This guide must be read in integrity with others related documents. This guide is intended for qualified personnel to install on the charging stations

### Document scope

This guide concerns the following charging station:

- EVD1S24T0H : EVlink DC 24kW Wallbox Charging station CHAdeM
- EVD1S24T0B : EVlink DC 24kW Wallbox Charging station CCS Combo
- EVD1S24THB : EVlink DC 24kW Wallbox Charging station CHAdeMO & Combo CCS 2
- EVD1S24THB2 : EVlink DC/AC 24/22kW Wallbox Charging station CHAdeMO, CCS Combo 2, AC T2

### Related documents

|                     |  |            |
|---------------------|--|------------|
| Installation Manual | EVlink DC 24kW Wallbox single standard   | MFR7734001 |
| Installation Manual | EVlink DC 24kW Wallbox multiple standard | MFR7734101 |
| User Manual         | EVlink DC 24kW Wallbox single standard   | MFR77342   |
| User Manual         | EVlink DC 24kW Wallbox multiple standard | MFR77343   |
| Error Codes         | All                                      | NNZ22837   |

### User comments

We invite you to write us to communicate any inaccuracies or omissions, or to make general comments or suggestions regarding the quality of this manual.

E-mail: <https://www.se.com/ww/en/work/support/country-selector/contact-us.jsp>

## General safety instructions



### NOTICE

#### READ AND KEEP THIS MANUAL

- To ensure proper and safe operation, please read these user instructions carefully and keep them for future reference.
- This manual contains important instructions for the DC quick charging station that shall be followed during installation, operation and maintenance of the unit.
- The locking key, supplied with unit, should be kept in a secure and known location by an individual that has read and understands the content of this manual.

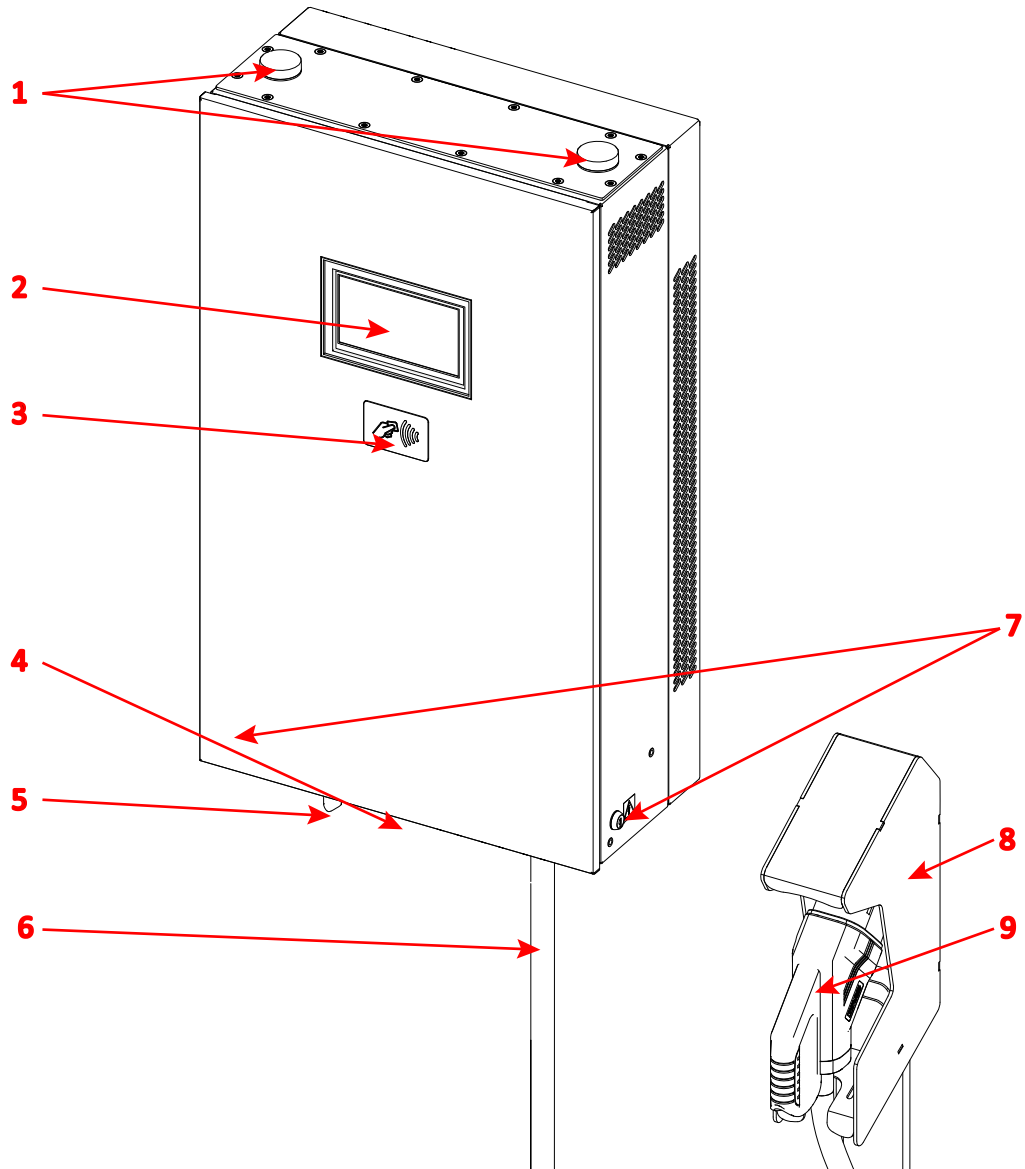
### DANGER

#### RISK OF ELECTRIC SHOCK, INJURY, AND/OR BURNING

- Only qualified, trained and authorized people will repair, replace or adjust this equipment.
- Do not use this product if the cables (input or output) are frayed, have damaged insulation or any other signs of damage.
- Do not use this product if the enclosure or the EV connectors are broken, cracked, opened or show any other indication of damage.
- This equipment employs parts, such as switches and relays, that tend to produce arcs or sparks and therefore, when used wall mounted, keep more than 500mm (18 inches) above the floor.
- Do not open the front cover at any time while input power is present.
- Do not operate the unit while the cabinet door is opened or unlocked.
- Do not use a cord extension set or second cable assembly in addition to the cable assembly for the connection of the EV to the EVSE.

**Failure to follow these instructions will result in death or serious injury**

## 1.1 EVlink DC 24kW Wallbox single standard external view

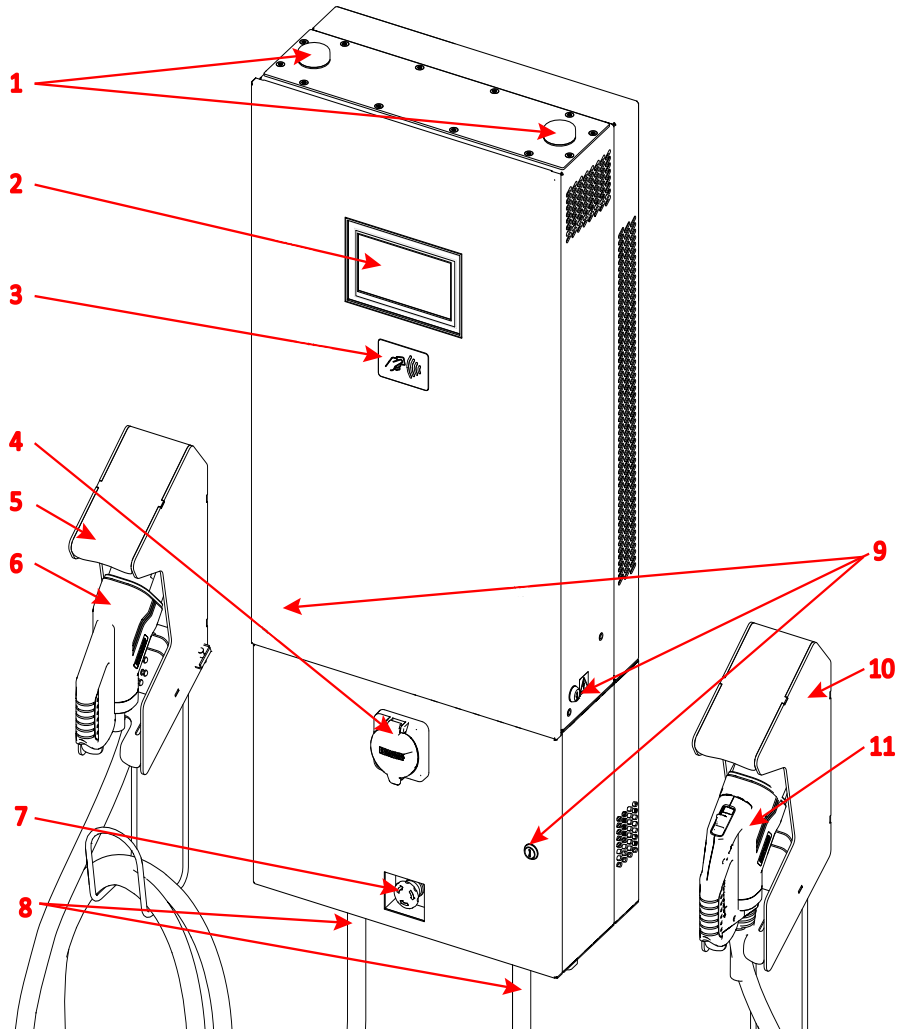


- 1 Antennas (x2)
- 2 7" touchscreen display
- 3 RFID reader
- 4 Emergency Stop button
- 5 Input cable
- 6 Output cable
- 7 Key locker
- 8 Connector support
- 9 Output DC connector

**Note:** May change depending on version or technical modification

# 1 Overview

## 1.2 EVlink DC 24kW Wallbox multiple standard external view

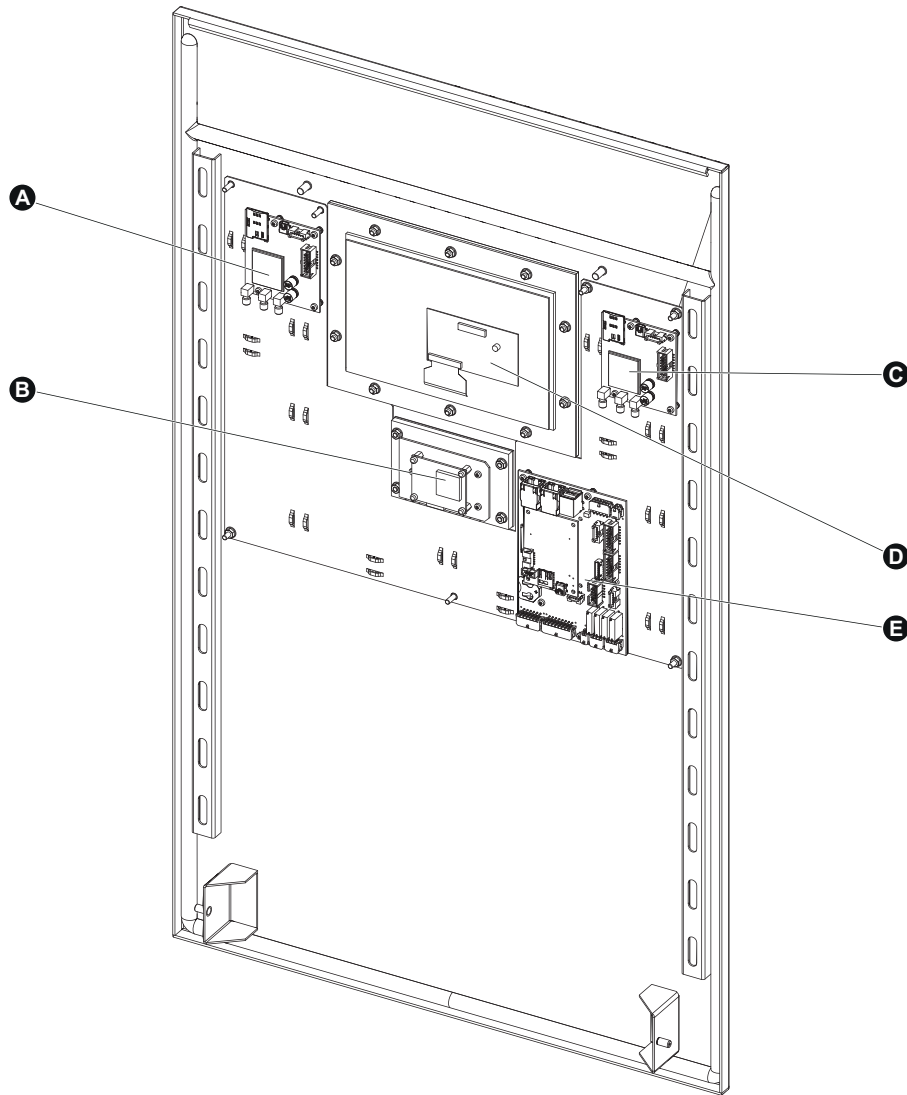


- 1 Antennas (x2)
- 2 7" touchscreen display
- 3 RFID reader
- 4 Connector support
- 5 Output CHAdeMO DC connector
- 6 AC socket outlet Type 2 S (tri-standard version only)
- 7 Emergency Stop button
- 8 Output cable
- 9 Key locks
- 10 Connector support
- 11 Output Combo 2 DC connector

**Note:** May change depending on version or technical modification



## 1.3 Internal door view

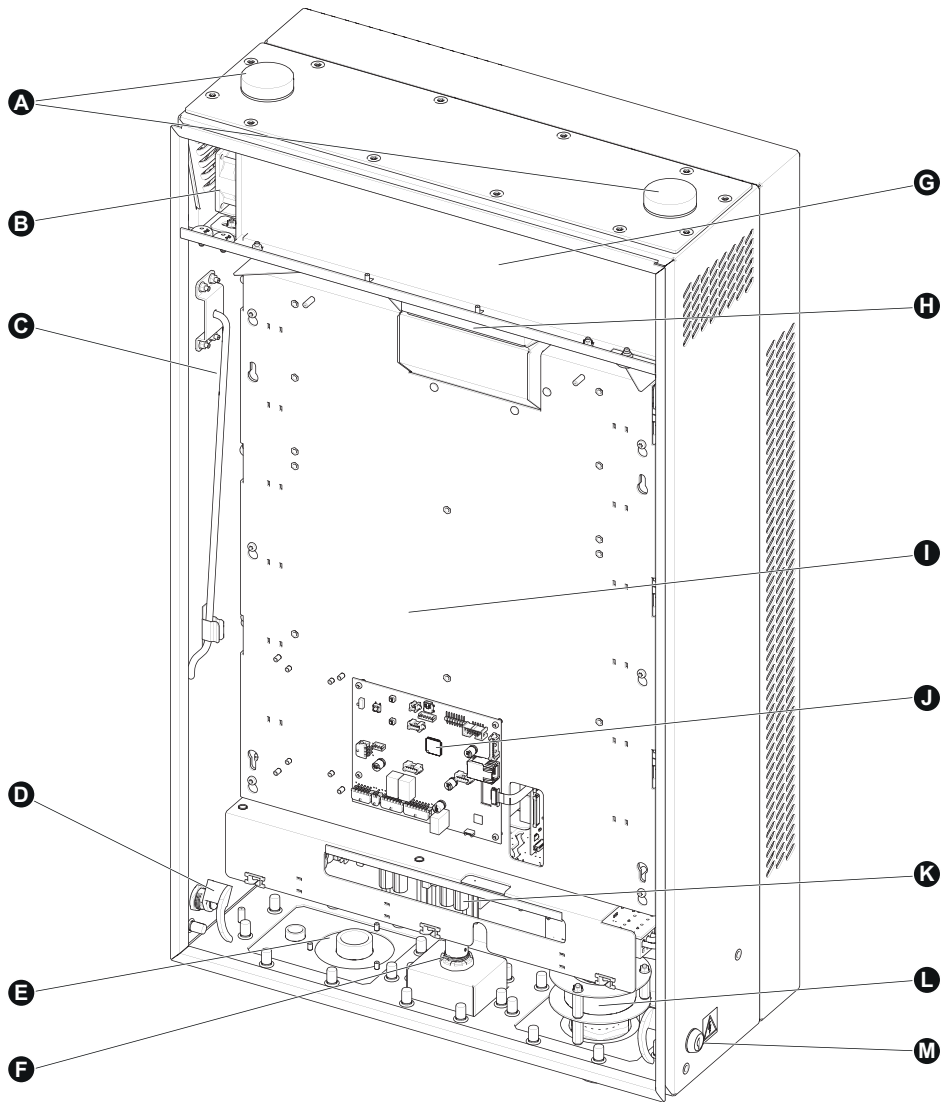


- A** Customer modem board
- B** RFID reader board
- C** Schneider Electric modem board
- D** Display board
- E** OCPP board

**Note:** May change depending on version or technical modification

# 1 Overview

## 1.4 EVlink DC 24kW Wallbox single standard internal view - upper level

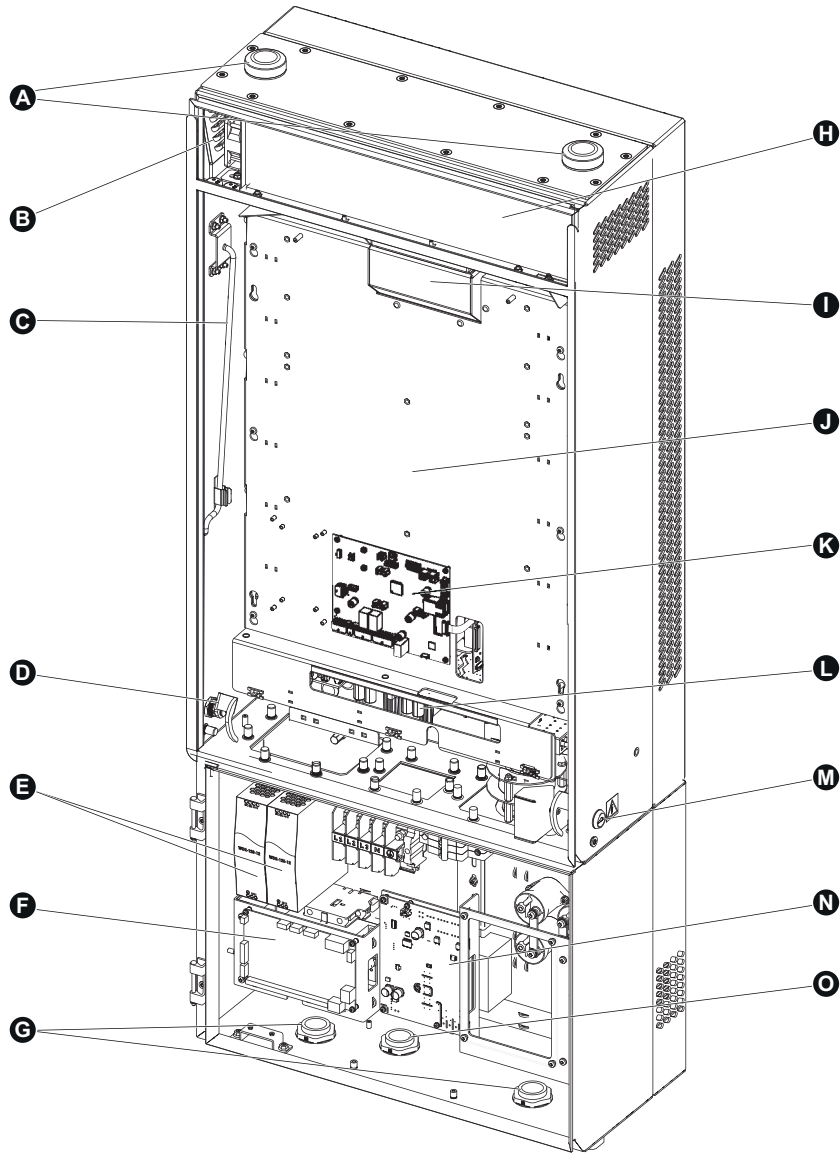


- A** Antennas (x2)
- B** External fans for heat exchanger
- C** Hood stand
- D** Key locker
- E** Input plate + cable gland
- F** Emergency stop button
- G** Heat exchanger
- H** Extractor fan
- I** Power module lid
- J** CCU board
- K** Distribution board
- L** Output plate + cable gland
- M** Key locker

**Note:** May change depending on version or technical modification

# 1 Overview

## 1.5 EVlink DC 24kW Wallbox multiple standard internal view - upper level

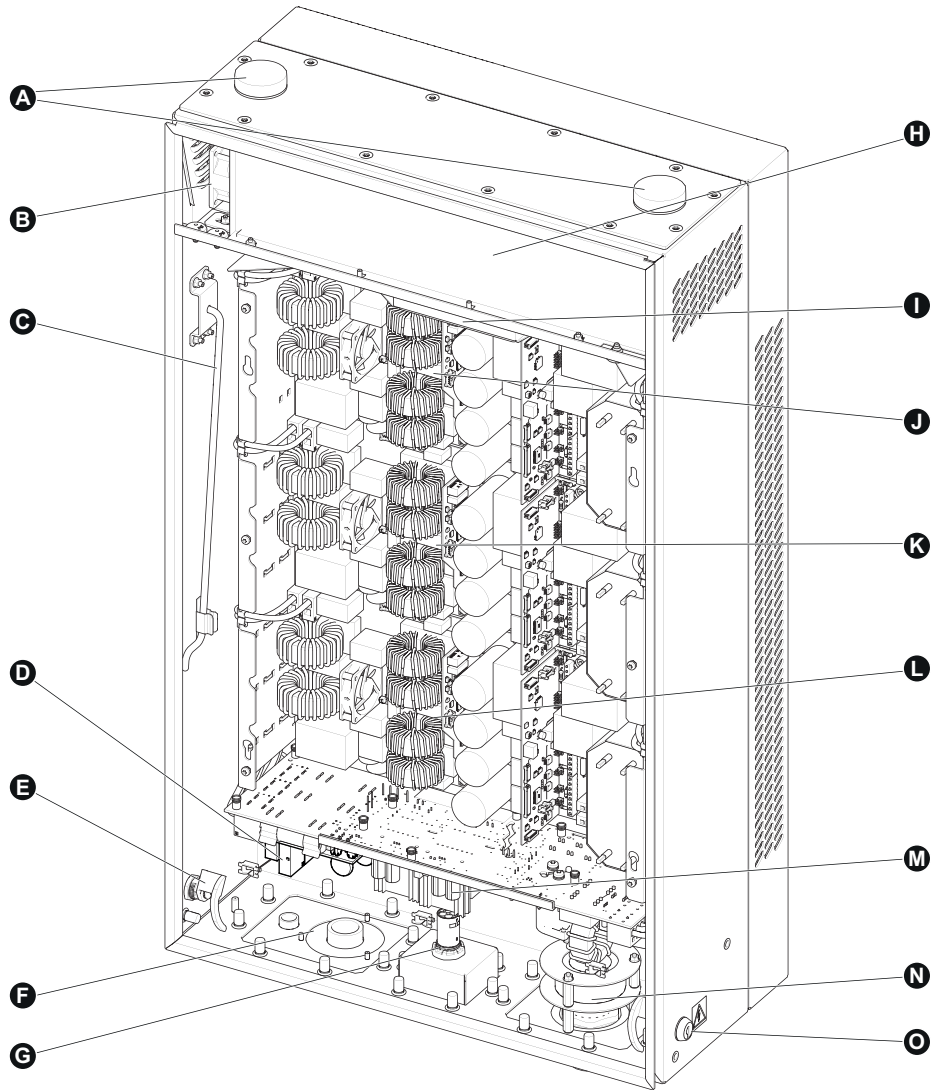


- A** Antennas (x2)
- B** External fans for heat exchanger
- C** Hood stand
- D** Key locker
- E** 12V power supply (x1 for bi-standard version)
- F** AC powershare board (tri-standard version only)
- G** DC output cable glands
- H** Heat exchanger
- I** Extractor fan
- J** Power module lid
- K** CCU board
- L** Distribution module
- M** Key locker
- N** Output Switch Board (Output Switch Board)
- O** Input cable gland

**Note:** May change depending on version or technical modification

# 1 Overview

## 1.6 EVlink DC 24kW Wallbox single standard internal view - lower level

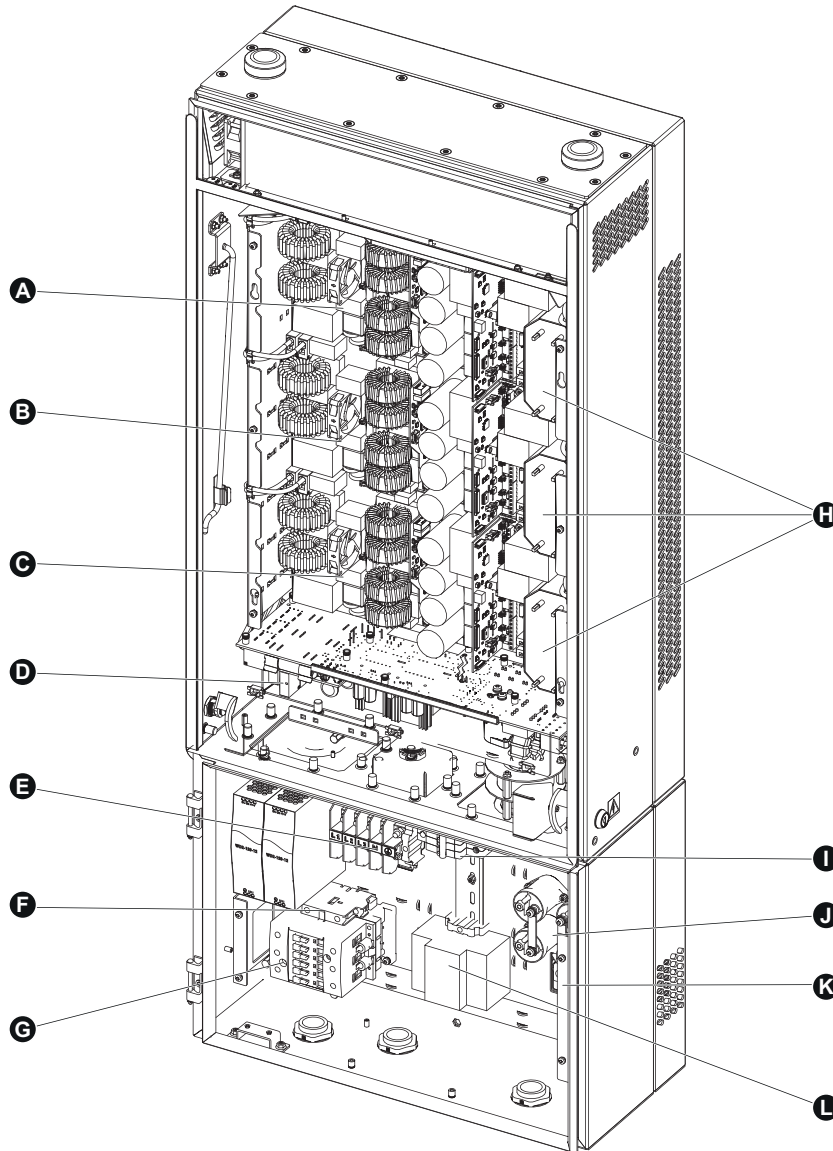


- A** Antennas (x2)
- B** External fans for heat exchanger
- C** Hood stand
- D** AC input configuration board
- E** Key locker
- F** Input plate + cable gland
- G** Emergency stop button
- H** Heat exchanger
- I** Extractor fan
- J** 8kW Module - slave 1
- K** 8kW Module - slave 0
- L** 8kW Module - master
- M** Distribution board
- N** Output plate + cable gland
- O** Key locker

**Note:** May change depending on version or technical modification

# 1 Overview

## 1.7 EVlink DC 24kW Wallbox multiple standard internal view - lower level



- A** 8kW Module - slave 1
- B** 8kW Module - slave 0
- C** 8kW Module - master
- D** AC input configuration board
- E** Connection terminal block
- F** Auxiliary contact relay
- G** AC contactor (tri-standard version only)
- H** Transformer
- I** Mechanical Circuit Breaker (MCB)
- J** Output relays
- K** CHAdeMO protection diode
- L** Powermeter

**Note:** May change depending on version or technical modification

Cleaning the outside of the terminal can be done while it is on, however, do not clean the terminal when an electric vehicle is connected to the terminal.

Cleaning the terminal is made with a dry cloth or possibly soapy water, it is to do 2 times a year.

Cleaning with solvent should be avoided to ensure good behavior in time of painting.

### ⚠ CAUTION



#### **RISK OF DAMAGE TO THE TERMINAL**

- DO NOT use a high pressure jet to clean the device.
- Preserve the terminal from contact with gasoline, diesel and other automotive fluids.

**Failure to follow these instructions can cause damage.**

Every six months,

- Conduct a visual inspection of the air inlet of the charging station and ensure that they are not clogged.
- Conduct a visual inspection of the charging cable and ensure that cable does not show any visual damage or deformation.
- Conduct a visual inspection of the charging gun and ensure that gun does not show any visual damage, arcing or rust.

### ⚠ DANGER



#### **HAZARD OF ELECTRIC SHOCK, EXPLOSION, OR ARC FLASH**

- To avoid danger of electrical shock or injury, turn off power at the panel board or load center before working on the equipment or removing any component. Do not remove circuit protective devices or any other component until the power is turned off.
- Disconnect electrical power to the DC Wallbox before any maintenance work to ensure that it is separated from the supply of AC mains. Failure to do so may cause physical injury or damage to the electrical system and charging unit.
- Maintenance of the Wallbox EVlink DC 24kW Wallbox single standard shall be conducted only by a qualified technician.
- DO NOT use solvents to clean the terminal.

**Failure to follow these instructions can result in death or serious injury.**

This document is written to guide the after sales service during analysis of a DC Wallbox in failure. Only professionally trained technicians should service and repair the charging station. This document could refer to the installation and maintenance manual provided to user with the DC Wallbox.

### CCU Manager

CCU Manager is a software that guides you through the maintenance. See the User Manual for CCU Manager (MFR77345).

### Error Codes

See the Error Codes document (NNZ22837).

| Schneider Electric Reference | PART NAME                              | PRODUCT  | PACKAGING UNITS | PAGE    |
|------------------------------|--|--|-----------------|---------|
| SWAFL014707                  | SCREEN ASSEMBLY WITH GASKET            | EVlink DC 24 kW single / EVlink DC 24 kW Multi | 1               | page 19 |
| SWFLP015020                  | DC 24 kW Single COMBO2 CABLE ASSEMBLY  | EVlink DC 24 kW single                         | 1               | page 21 |
| SWFLP015021                  | DC 24 kW single CHADEMO CABLE ASSEMBLY | EVlink DC 24 kW single                         | 1               | page 26 |
| SWPLA016474                  | DC 24 kW multi CHADEMO CABLE           | EVlink DC 24 kW Multi                          | 1               | page 29 |
| SWPLA016473                  | DC 24 kW multi COMBO CABLE             | EVlink DC 24 kW Multi                          | 1               | page 32 |

**Note:** Please contact Schneider Electric support to order the different references.



# 5 Maintenance

## 5.1 Equipment Handling

If installed on a pedestal, the Wallbox EVlink DC 24kW Wallbox single standard charging station must be removed from it and handled by two people minimum.

## 5.2 Safety & opening the Wallbox

### 5.2.1 Switch off external power supply

1. Access to the main low-tension distribution panel.
2. Switch off the power at the main breaker panel.  
Use padlock, labeling, tagging, so that no one switches the power back on while you're working.

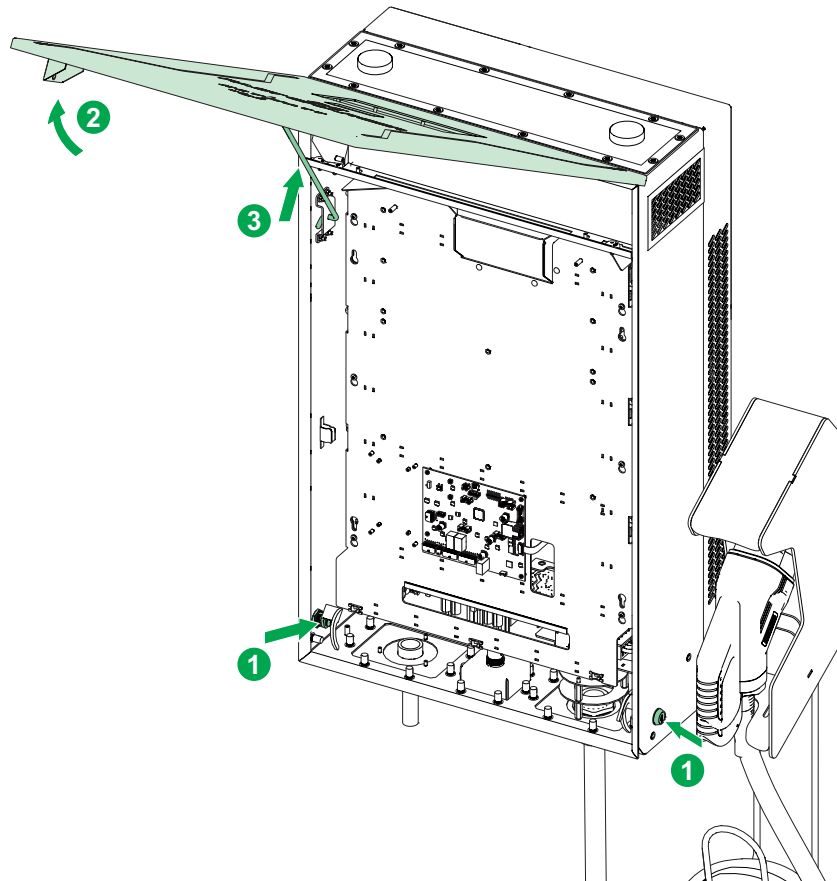
#### **⚠ DANGER**



#### **HAZARD OF ELECTRIC SHOCK, EXPLOSION, OR ARC FLASH**

- Be sure the supply power is off before starting operation.
  - Make sure nobody can switch on power during intervention.
- Failure to follow these instructions can result in death or serious injury.**

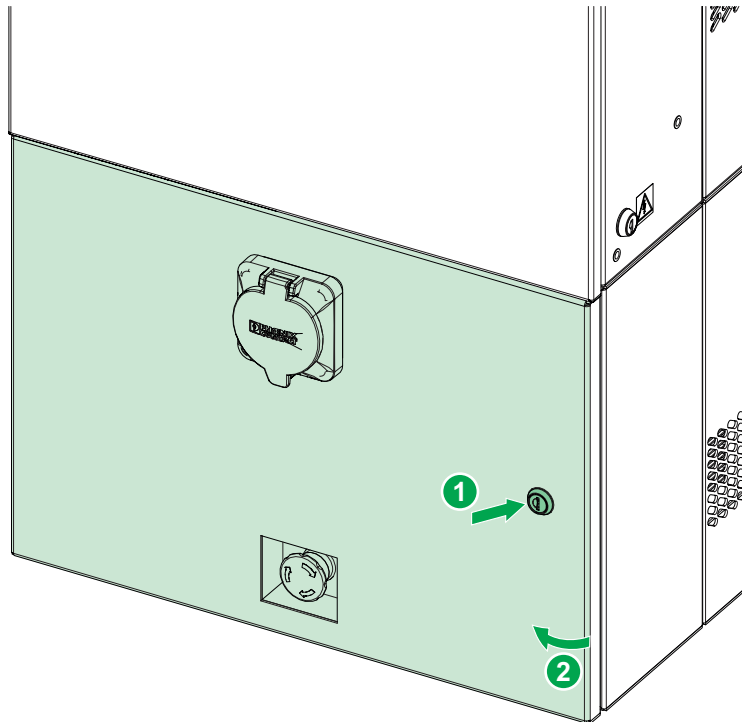
### 5.2.2 Open the door



- 1 Unlock the door (2 keylocks)
- 2 Open the door
- 3 Stand the door in up position

**Note:** Applicable with Wallbox EVlink DC 24kW Wallbox single standard & EVlink DC 24kW Wallbox multiple standard

## 5.2.3 Open the extension box ( EVlink DC 24kW Wallbox multiple standard)



- 1 Unlock the extension box door
- 2 Open the door

## 5.3 Restarting the charging station

### 5.3.1 Turn on the main power

1. Close the Wallbox door(s).
2. Access to the main low-tension distribution panel.
3. Switch on the power at the main breaker panel.

#### **⚠ DANGER**



#### **HAZARD OF ELECTRIC SHOCK, EXPLOSION, OR ARC FLASH**

- Be sure the supply power is off before starting operation.
- Make sure nobody can switch on power during intervention.

**Failure to follow these instructions can result in death or serious injury.**



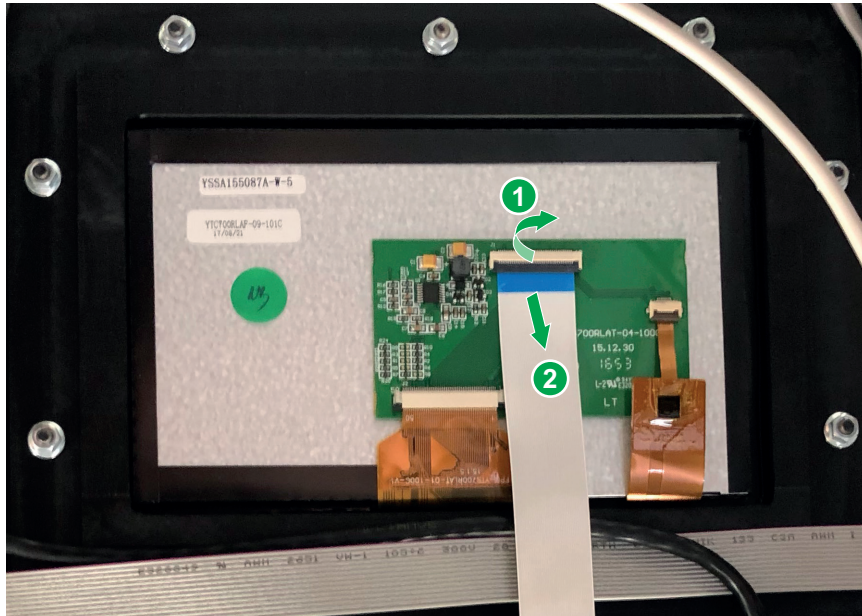
## 5.4 Unwire the touchscreen

- 7 mm socket - Use spare part SWAFL014707 for this operation.

### 5.4.1 Unwire the touchscreen

#### NOTICE

Before this step, follow the procedure «Safety & opening the Wallbox», page 17.

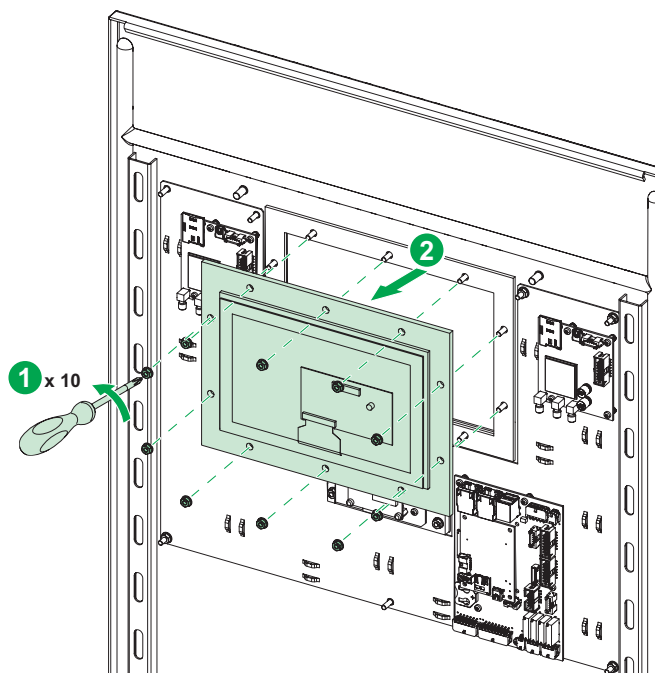


- 1 Unlock
- 2 and remove the touchscreen ribbon cable

#### NOTICE

Note the position of each connector on the board.

### 5.4.2 Remove the touchscreen



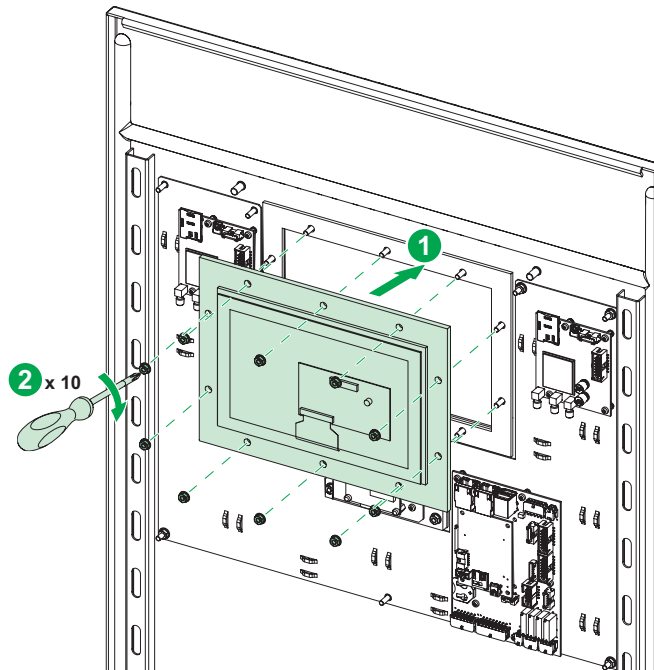
- 1 Remove the M4 nuts (x10) holding the touchscreen using a 7 mm socket
- 2 Remove the touchscreen

# 5 Maintenance

## 5.4 Unwire the touchscreen

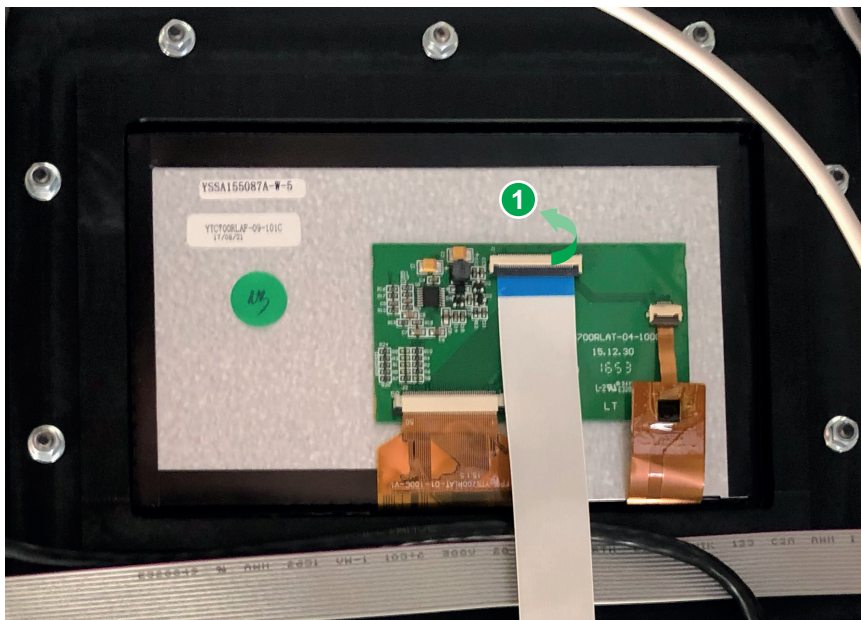
- 7 mm socket

### 5.4.3 Install the touchscreen



- 1 Install the new touchscreen
- 2 Install the M4 nuts (x10) holding the touchscreen  
G Recommended torque : 2 N.m

### 5.4.4 Wire the touchscreen



**Note:** The ribbon cable for the Wallbox is 254 mm long.

- 1 Wire the touchscreen

**Note:** Use your notes to install the connector in the right place.

#### **NOTICE**

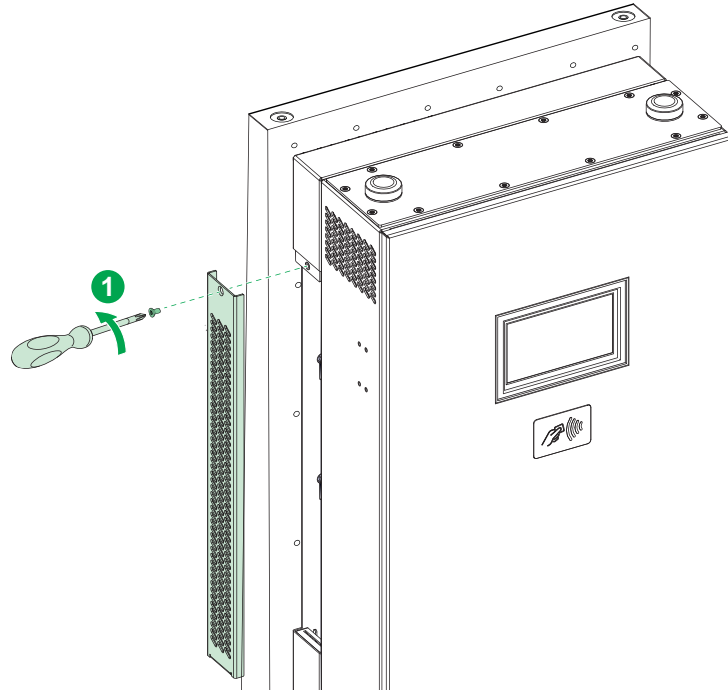
After this step, carry out the procedure «Restarting the charging station», page 18.

# 5 Maintenance

## 5.5 CHAdeMO output cable replacement (EVlink DC 24kW Wallbox single standard)

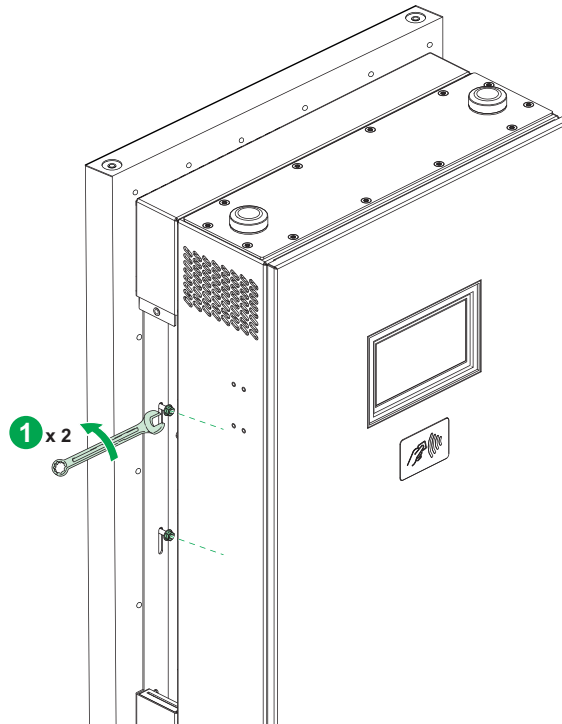
- T30 socket / 10 mm socket / 5.5 x 125 flat head screwdriver / Cutting pliers / Cable tie.  
Use spare part SWFLP015020 for this operation.

### 5.5.1 Remove the side panel (if EVlink DC 24kW Wallbox single standard mounted on pedestal)



- 1 Remove the side panel by unscrewing its fixing screw (x1)

### 5.5.2 Unlock the Wallbox from its bracket (if EVlink DC 24kW Wallbox single standard mounted on pedestal)

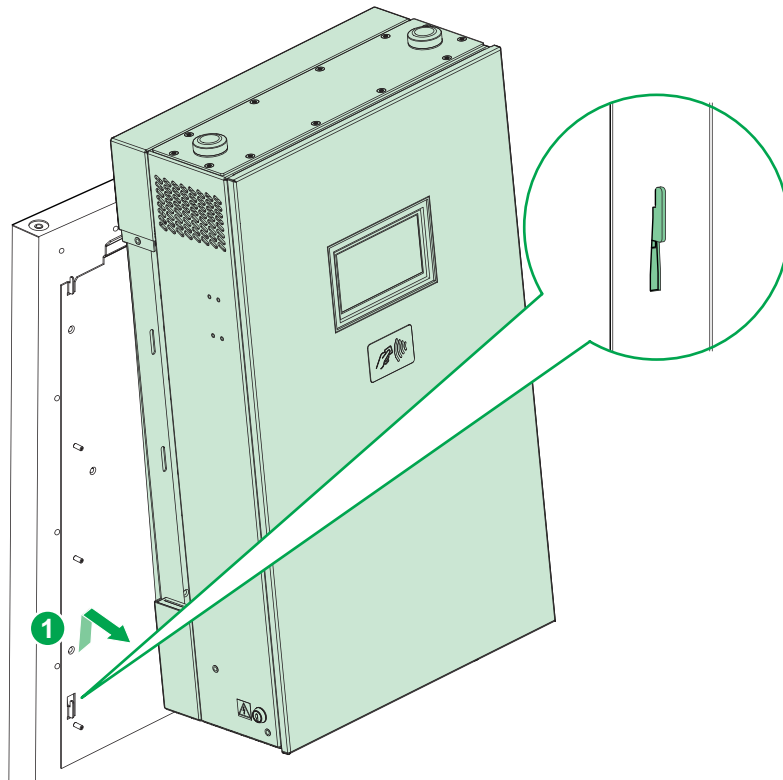


- 1 Remove the nuts (x2) from the bracket studs

## 5.5 CHAdeMO output cable replacement (EVlink DC 24kW Wallbox single standard)

- T30 socket / 10 mm socket / 5.5 x 125 flat head screwdriver / Cutting pliers / Cable tie.  
Use spare part SWFLP015020 for this operation.

### 5.5.3 Install Wallbox (if EVlink DC 24kW Wallbox single standard mounted on pedestal)



- 1 Lift the charging station onto its mounting bracket.

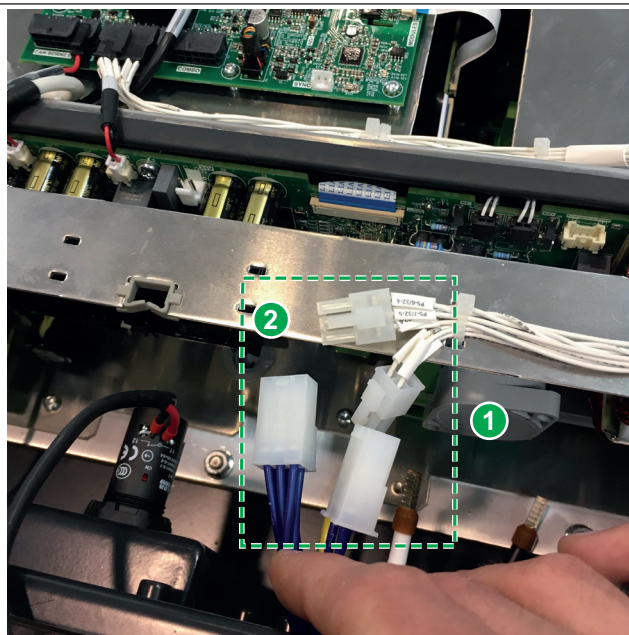
#### NOTICE

Due to the charging station weight, two people or lifting equipment are required to lift and handle the charging station.

### 5.5.4 Disconnect the communication connectors

#### NOTICE

Before this step, make sure that you have carried out the procedure «Safety & opening the Wallbox», page 17.



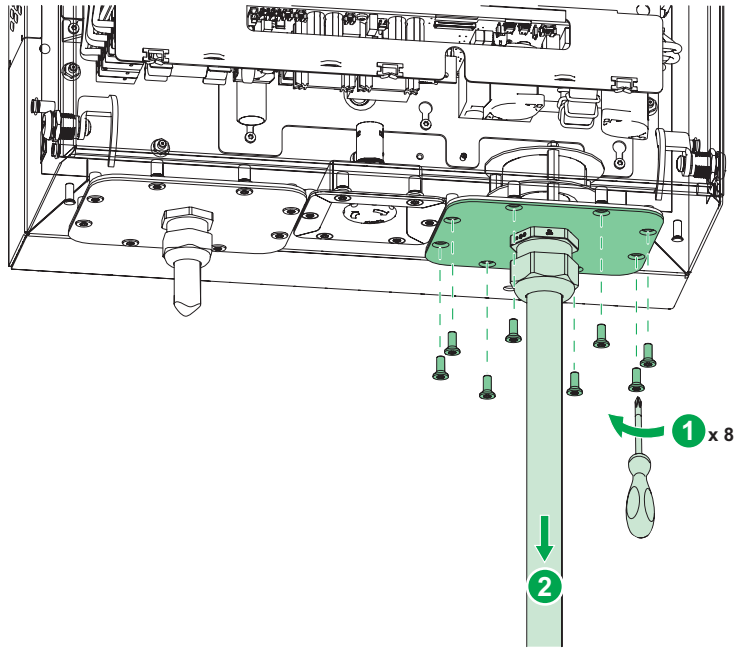
- 1 Unlock and open the Wallbox door
- 2 Disconnect the CHAdeMO communication connectors from the communication twin cable

# 5 Maintenance

## 5.5 CHAdeMO output cable replacement (EVlink DC 24kW Wallbox single standard)

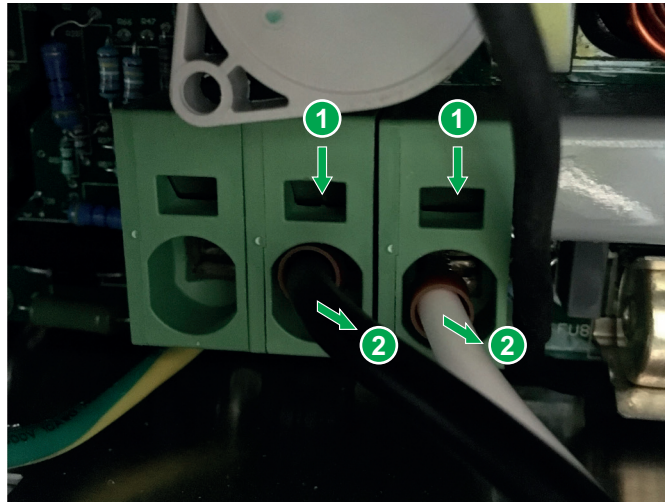
- T30 socket / 10 mm socket / 5.5 x 125 flat head screwdriver / Cutting pliers / Cable tie.

### 5.5.5 Remove the cable support plate



- 1 Remove the T30 fixation screws (x8) holding the cable support plate
- 2 Remove the cable support plate

### 5.5.6 Remove the cable

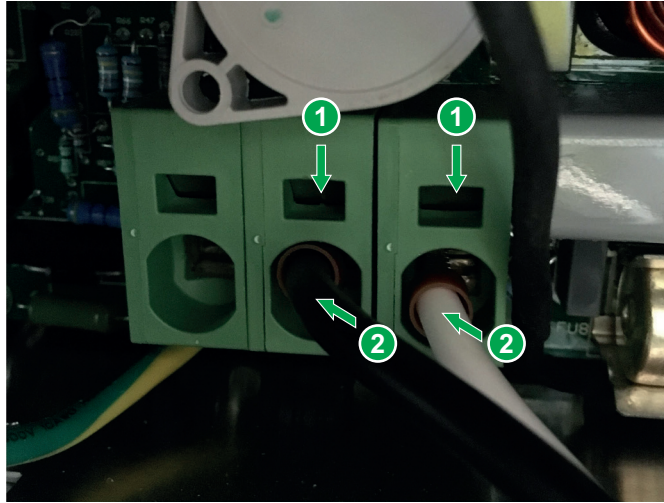


- 1 Disconnect the two power supply cables of the CHAdeMO cable using a 5.5x125 flat head screwdriver in the terminal block slots
- 2 Remove the output cables

## 5.5 CHAdeMO output cable replacement (EVlink DC 24kW Wallbox single standard)

- T30 socket / 10 mm socket / 5.5 x 125 flat head screwdriver / Cutting pliers / Cable tie.

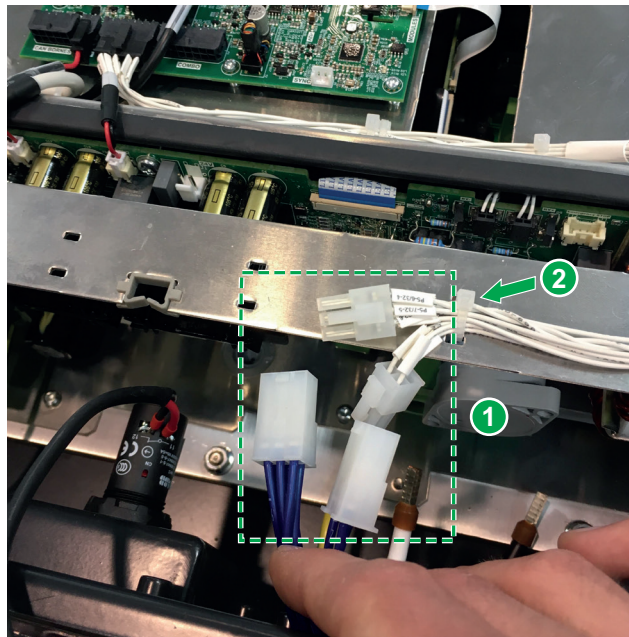
### 5.5.7 Connect the CHAdeMO cable



Bring the CHAdeMO cable near the cable path entry

- 1 Place a 5.5x125 flathead screwdriver in the terminal block slots
- 2 Connect the two power supply cables of the CHAdeMO cable in the terminal block slots

### 5.5.8 Connect the communication connectors



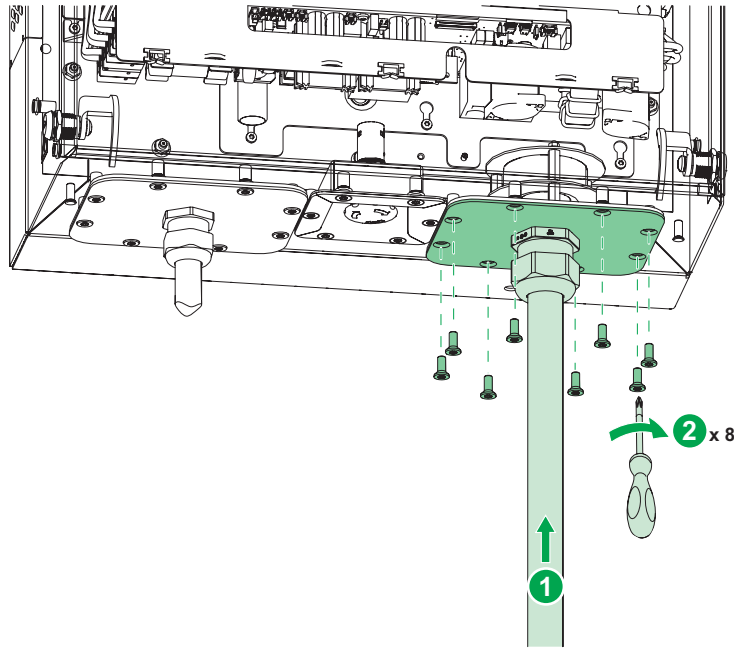
- 1 Connect the CHAdeMO communication connectors to the communication twin cable
- 2 Hold the communication twin cable with cable ties



## 5.5 CHAdeMO output cable replacement (EVlink DC 24kW Wallbox single standard)

- T30 socket / 10 mm socket / 5.5 x 125 flat head screwdriver / Cutting pliers / Cable tie.

### 5.5.9 Place the cable support plate



- 1 Place back in position the cable support plate
- 2 Screw the support plate T30 screws (x8)

#### **NOTICE**

After this step, carry out the procedure «Restarting the charging station», page 18.

Close and lock the Wallbox door.

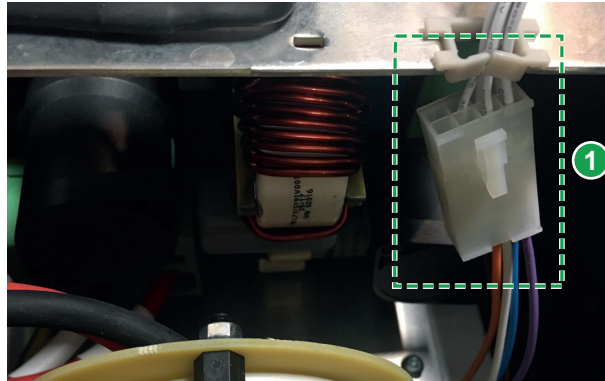
Place back the Wallbox on its pedestal and fix it (if mounted on a pedestal).

# 5 Maintenance

## 5.6 Combo 2 output cable replacement (EVlink DC 24kW Wallbox single standard)

- T30 socket / 10 mm socket / 5.5 x 125 flat head screwdriver / Cutting pliers / Cable tie.  
Use spare part SWFLP015021 for this operation.

### 5.6.1 Disconnect the communication connector

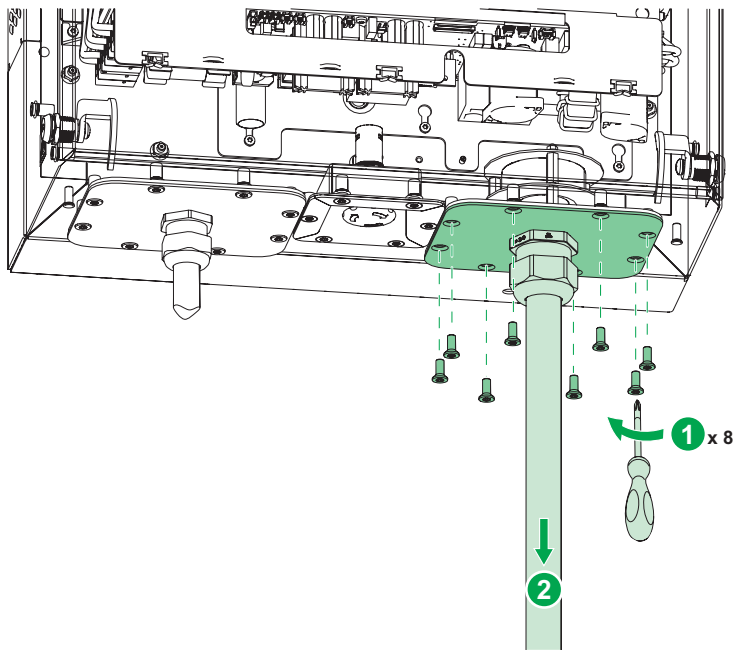


Remove the Wallbox from its pedestal like explained in the CHAdeMO cable replacement for EVlink DC 24kW Wallbox single standard if it is mounted on a pedestal, see page 33.

Unlock and open the Wallbox door.

- 1 Disconnect the Combo 2 communication connector from the communication simple cable

### 5.6.2 Remove the cable support plate



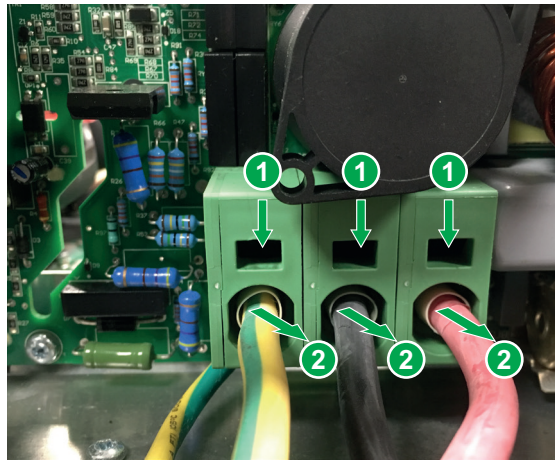
- 1 Remove the T30 fixation screws (x8) holding the cable support plate
- 2 Remove the cable support plate

## 5.6 Combo 2 output cable replacement (EVlink DC 24kW Wallbox single standard)

- T30 socket / 10 mm socket / 5.5 x 125 flat head screwdriver / Cutting pliers / Cable tie.

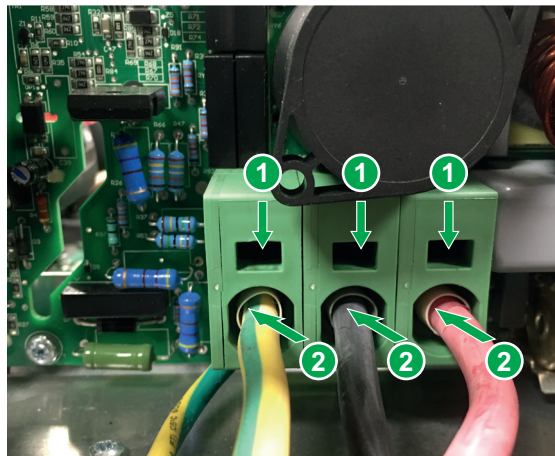
### 5.6.3 Remove the cable

EVlink DC 24 kW Wallbox bottom view



- 1 Disconnect the two power supply cables and the earth cable of the Combo 2 cable using a 5.5x125 flat head screwdriver in the terminal block slots
- 2 Remove the output cables

### 5.6.4 Connect the Combo 2 cable



Bring the Combo 2 cable near the cable path entry.

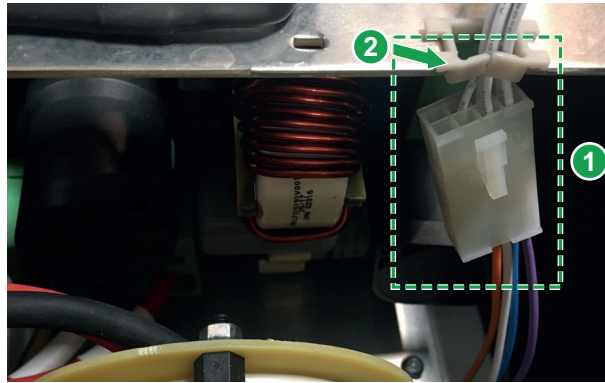
- 1 Place a 5.5x125 flathead screwdriver in the terminal block slots
- 2 Connect the two power supply cables and the earth cable of the Combo 2 cable in the terminal block slots

# 5 Maintenance

## 5.6 Combo 2 output cable replacement (EVlink DC 24kW Wallbox single standard)

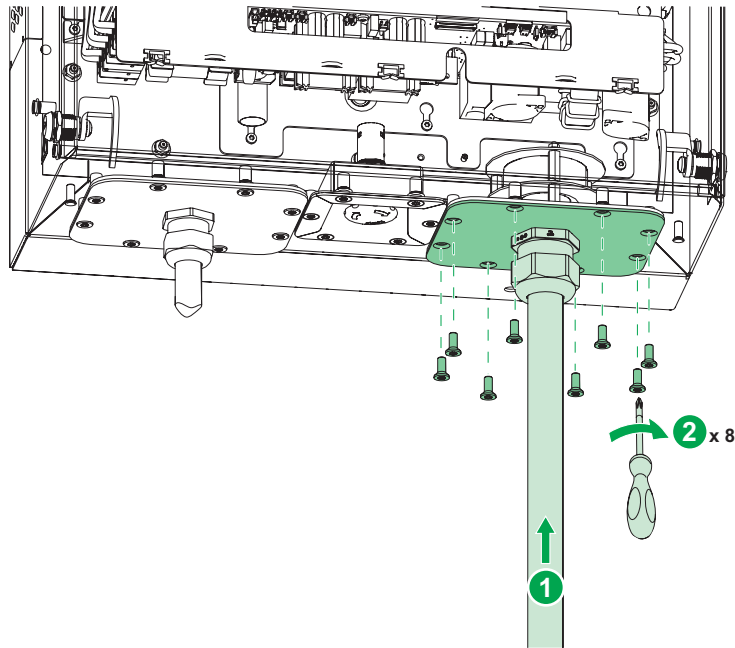
- T30 socket / 10 mm socket / 5.5 x 125 flat head screwdriver / Cutting pliers / Cable tie.

### 5.6.5 Connect the communication connector



- 1 Connect the Combo 2 communication connector to the communication simple cable
- 2 Hold the communication simple cable with cable ties

### 5.6.6 Place the cable support plate



- 1 Place back in position the cable support plate
- 2 Screw the support plate T30 screws (x8)

#### **NOTICE**

After this step, carry out the procedure «Restarting the charging station», page 18.

Close and lock the Wallbox door.

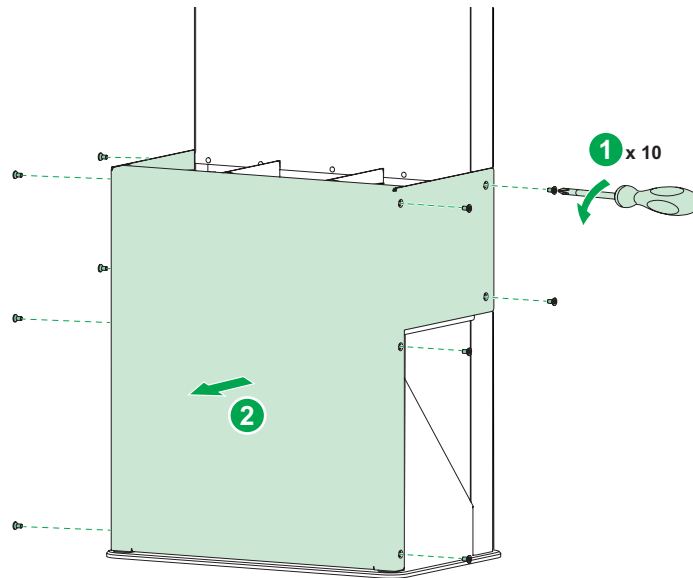
Place back the Wallbox on its pedestal and fix it (if mounted on a pedestal).

# 5 Maintenance

## 5.7 CHAdeMO output cable replacement (EVlink DC 24kW Wallbox multiple standard)

- T20 socket / T25 socket / T30 socket - Use spare part SWPLA016474 for this operation.

### 5.7.1 Remove the pedestal bumper (if EVlink DC 24kW Wallbox multiple standard mounted on a pedestal)

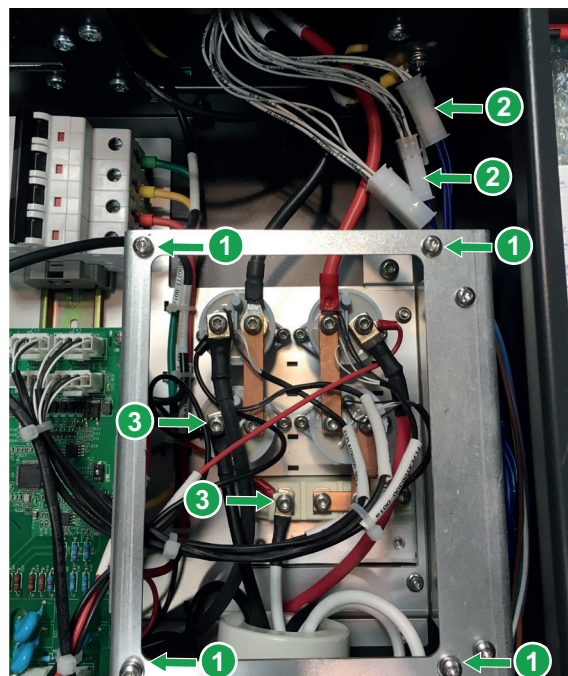


- 1 Unscrew the bumper T30 fastening screws (x10) using a T30 socket
- 2 Remove the bumper

### 5.7.2 Disconnect the CHAdeMO cable

#### NOTICE

Before this step, make sure that you have carried out the procedure «Safety & opening the Wallbox», page 17.



- 1 Remove the plexiglass panel by unscrewing its T20 fixing screws (x4)
- 2 Disconnect the CHAdeMO communication connectors (x2) from the communication twin cable
- 3 Disconnect the CHAdeMO + cable on the relay and - cable on the CHAdeMO diode unscrewing their T25 fixing screws

#### NOTICE

Make sure the measure cables stay on place.

## 5.7 CHAdeMO output cable replacement (EVlink DC 24kW Wallbox multiple standard)

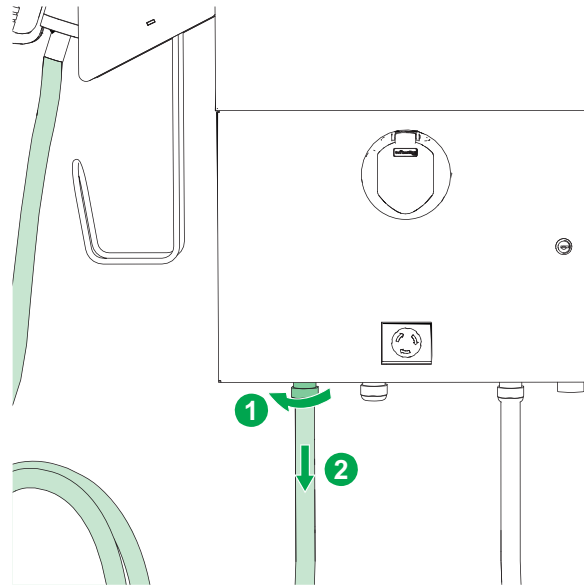
- T20 socket / T25 socket / T30 socket

### 5.7.3 Remove the CHAdeMO cable

Remove the + and - cables from the ferrite

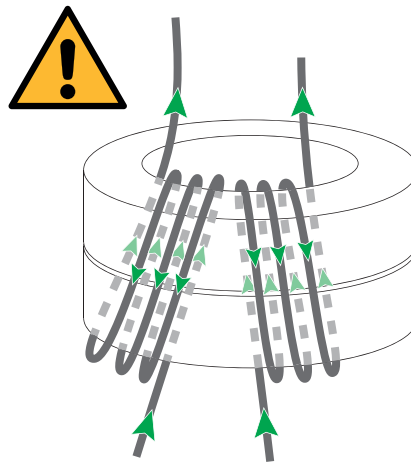
#### NOTICE

Keep the ferrite for the new CHAdeMO cable.



- 1 Untighten the cable gland of the CHAdeMO cable
- 2 Remove the CHAdeMO cable

### 5.7.4 Install the new CHAdeMO cable



Install the new CHAdeMO cable through the cable gland

- 1 Pass the + and - cables around the ferrite (x2 windings each)

#### ⚠ WARNING

The wiring direction must be respected.

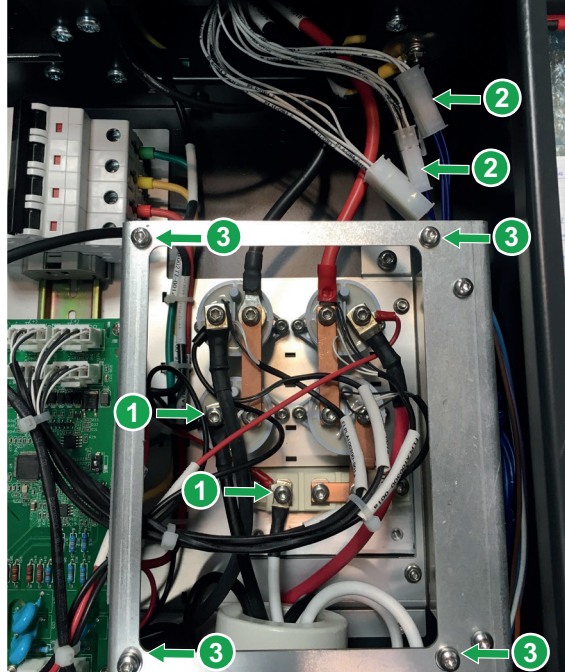
## 5.7 CHAdeMO output cable replacement ( EVlink DC 24kW Wallbox multiple standard)

- T20 socket / T25 socket / T30 socket

### 5.7.5 Connect the CHAdeMO cable

#### NOTICE

Make sure the measure cables stays on place.



- 1 Connect the CHAdeMO + cable on the relay and - cable on the CHAdeMO diode screwing their T25 fixing screws
- 2 Connect the CHAdeMO communication connectors (x2) to the communication twin cable
- 3 Install the plexiglass panel, screwing its T20 fixing screws (x4)

Tighten the cable gland of the CHAdeMO cable.

#### NOTICE

After this step, carry out the procedure «Restarting the charging station», page 18.

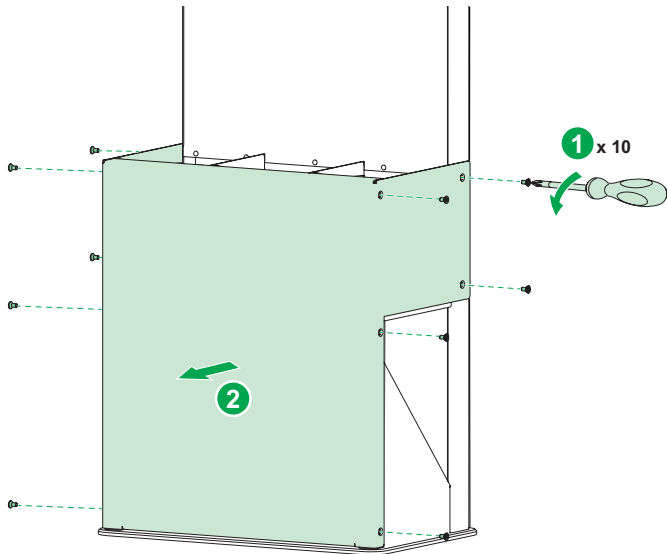
Reinstall the pedestal bumper (if EVlink DC 24kW Wallbox multiple standard installed on a pedestal).

# 5 Maintenance

## 5.8 Combo 2 output cable replacement (EVlink DC 24kW Wallbox multiple standard)

- T20 socket / T25 socket / 8mm socket - Use spare part SWPLA016473 for this operation.

### 5.8.1 Remove the pedestal bumper (if EVlink DC 24kW Wallbox multiple standard mounted on a pedestal)

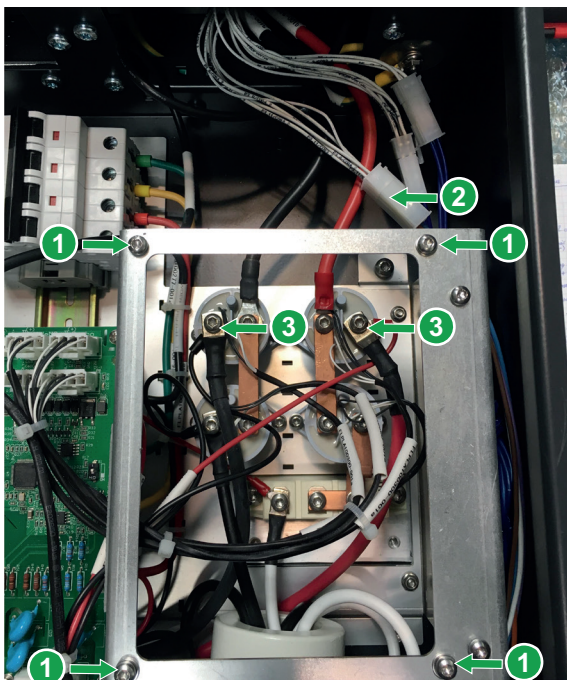


- 1 Unscrew the bumper T30 fastening screws (x10) using a T30 socket
- 2 Remove the bumper

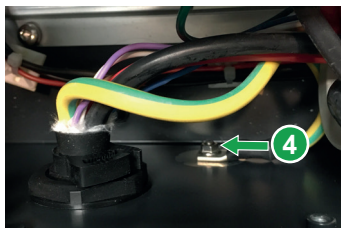
### 5.8.2 Remove the pedestal bumper (if EVlink DC 24kW Wallbox multiple standard mounted on a pedestal)

#### NOTICE

Before this step, make sure that you have carried out the procedure «Safety & opening the Wallbox», page 17.



- 1 Remove the plexiglass panel by unscrewing its T20 fixing screws (x4)
- 2 Disconnect the Combo 2 communication connector from the communication simple cable
- 3 Disconnect the Combo 2 + and - cables on the relays unscrewing their T25 fixing screws



#### NOTICE

Make sure the measure cables stays on place.

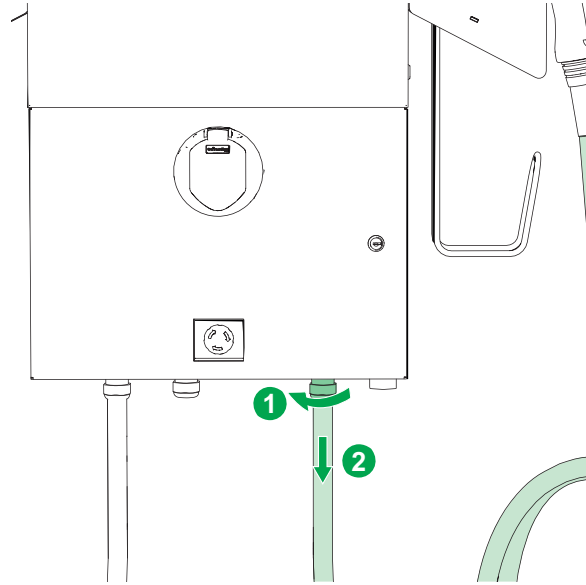
- 4 Disconnect the Combo 2 earth cable unscrewing its M5 nut



## 5.8 Combo 2 output cable replacement ( EVlink DC 24kW Wallbox multiple standard)

- T20 socket / T25 socket / 8mm socket

### 5.8.3 Remove the Combo 2 cable



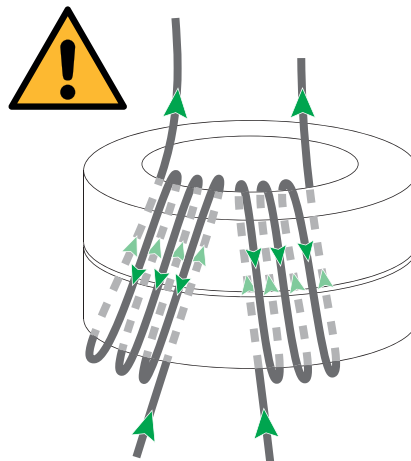
Remove the + and - cables from the ferrite

#### **NOTICE**

Keep the ferrite for the new Combo 2 cable.

- 1 Untighten the cable gland of the Combo 2 cable
- 2 Remove the Combo 2 cable

### 5.8.4 Install the new Combo 2 cable



Install the new Combo 2 cable through the cable gland

- 1 Pass the + and - cables around the ferrite (x2 windings each)

#### **⚠ WARNING**

The wiring direction must be respected.

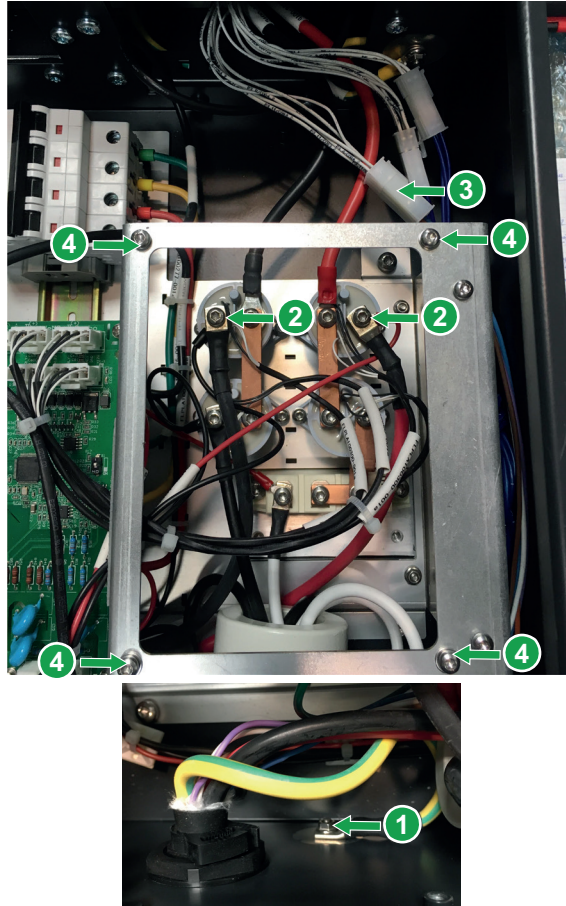
## 5.8 Combo 2 output cable replacement (EVlink DC 24kW Wallbox multiple standard)

- T20 socket / T25 socket / 8mm socket

### 5.8.5 Connect the Combo 2 cable

#### NOTICE

Make sure the measure cables stays on place.



- 1 Connect the + cable on the relay and - cable on the Combo 2 diode screwing their T25 fixing screws
- 2 Connect the Combo 2 communication connectors (x2) to the communication twin cable
- 3 Install the plexiglass panel, screwing its T20 fixing screws (x4)  
Tighten the cable gland of the Combo 2 cable

#### NOTICE

After this step, carry out the procedure «Restarting the charging station», page 18.

Reinstall the pedestal bumper (if EVlink DC 24kW Wallbox multiple standard installed on a pedestal)



