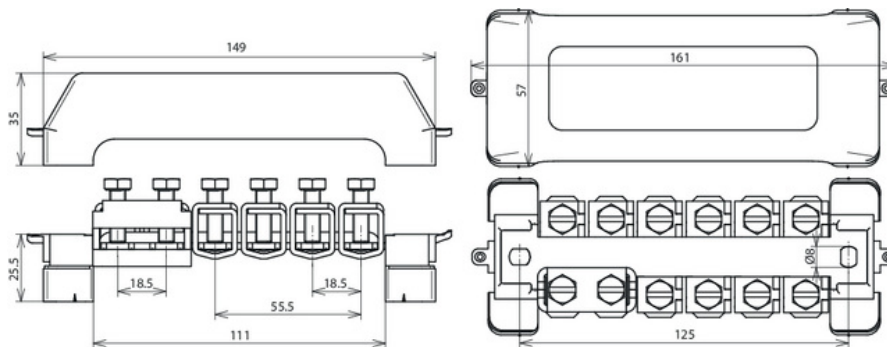


## PAS 11AK UV (563 201)



Figure without obligation



Arrangement:



Type	PAS 11AK UV
Part No.	563 201
Connection (solid / stranded)	10 x 2.5-95 mm <sup>2</sup>
Connection Rd	or 10 x -10 mm
Connection Fl	1 x -30 x 4 mm
Material of cage clamp	St/tZn
Material of contact rail	Cu/gal Sn
Cross section	30 mm <sup>2</sup>
Fixing	[2x] 6 x 8 mm
Fixing frames	P (black)
Cover	P (black / sealable)
Lightning current carrying capability (10/350 µs)	/  *)
Standard	EN 62561-1
Type	UV stabilised and halogen-free
Weight	397 g
Customs tariff number	85389099
GTIN	4013364101234
PU	1 Stk

\*) For exact assignment, see test certificate.

We reserve the right to introduce changes in performance, configuration and technology, dimensions, weights and materials in the course of technical progress. The figures are shown without obligation.