

Product Data Sheet

DX54517

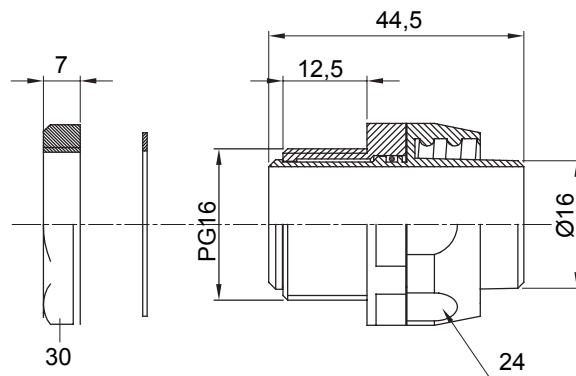
DF Range



Straight and revolving coupling device for sheath with IP54 protection degree.

Colour	Black RAL 9005	IP degree	IP54
PG pitch	16	Sheath Ø (mm)	16
Type	Revolving	Electrocod	210

DIMENSIONAL



TECHNICAL SYMBOLOGY

IP

IP54

STANDARDS/APPROVALS

