



# CorePro Plastic LEDbulbs

## CorePro LEDbulb ND 10.5-75W A60 E27 830

The CorePro LED bulb is the perfect bulb for your basic lighting needs. It provides beautiful light and dependable performance you expect from LED at an affordable price. CorePro LEDbulbs are compatible with existing fixtures with an E27 or B22 holder and are designed for retrofit replacement of incandescent bulbs. They deliver huge energy savings of 80% and provides excellent quality of light. By offering a lifetime of 15,000 hours it reduces maintenance costs.

### Product data

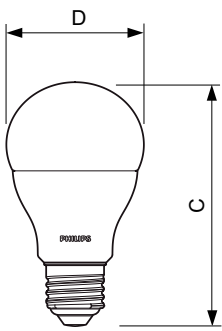
General Information		Operating and Electrical	
Cap-Base	E27 [E27]	Line Frequency	50 to 60 Hz
Nominal lifetime	15,000 hour(s)	Input Frequency	50 to 60 Hz
Switching Cycle	50,000	Power Consumption	10.5 W
Lighting Technology	LED	Lamp Current (Nom)	95 mA
Flux measurement reference	Sphere	Wattage Equivalent	75 W
Light Technical		Starting Time (Nom)	0.5 s
Color Code	830 [CCT of 3000K]	Warm-up time to 60% light	0.5 s
Beam Angle (Nom)	200 degree(s)	Power Factor (Fraction)	0.5
Luminous Flux	1,055 lumen	Voltage (Nom)	220-240 V
Color Designation	White (WH)	Temperature	
Correlated Color Temperature (Nom)	3000 K	T-Case Maximum (Nom)	80 °C
Luminous Efficacy (rated) (Nom)	100.00 lm/W	Controls and Dimming	
Color Consistency	<6	Dimmable	No
Color rendering index (CRI)	80	Mechanical and Housing	
LLMF At End Of Nominal Lifetime (Nom)	70 %	Bulb Finish	Frosted

# CorePro Plastic LEDbulbs

Bulb Shape	A60 [A 60mm]
<b>Approval and Application</b>	
Energy Consumption kWh/1000 h	11 kWh
EPREL Registration Number	397,619
CE mark	Yes
EU RoHS compliant	Yes
<b>Product Data</b>	
Full product code	871869649752400

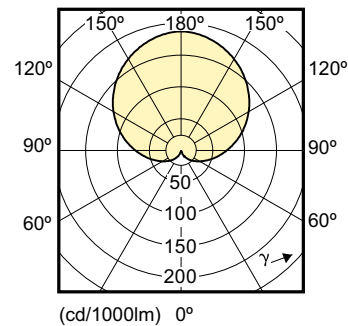
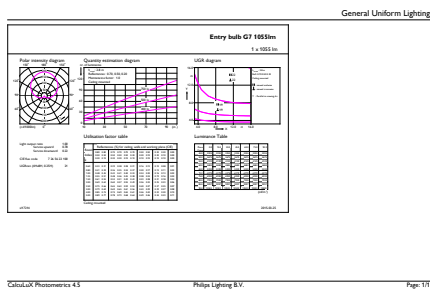
Order product name	CorePro LEDbulb ND 10.5-75W A60 E27 830
Order code	929001162332
Numerator - Quantity Per Pack	1
Numerator - Packs per outer box	10
Material number (12NC)	929001162332
Full product name	CorePro LEDbulb ND 10.5-75W A60 E27 830
EAN/UPC - Case	8718696497531

## Dimensional drawing



Product	D	C
CorePro LEDbulb ND 10.5-75W A60 E27 830	60 mm	110 mm

## Photometric data



Light Distribution Diagram - CorePro LEDbulb ND 10.5-75W A60 E27 830

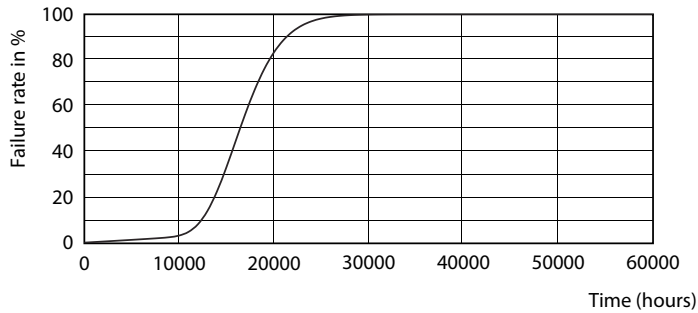
# CorePro Plastic LEDbulbs

## Photometric data

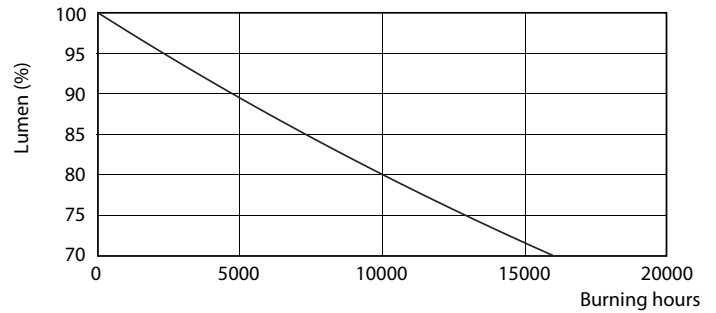


Spectral Power Distribution Colour - CorePro LEDbulb ND 10.5-75W A60 E27 830

## Lifetime



Life Expectancy Diagram - CorePro LEDbulb ND 10.5-75W A60 E27 830



Lumen Maintenance Diagram - CorePro LEDbulb ND 10.5-75W A60 E27 830

