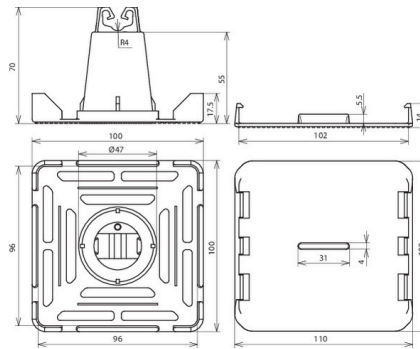


## DLH KF 8 LO DBS 110X100X70 SW (253 030)



Figure without obligation



Type	DLH KF 8 LO DBS 110X100X70 SW
Part No.	253 030
Component protection	German Patent No. 44 26 404.6
Conductor routing	loose
Material of conductor holder	plastic
Colour of conductor holder	black •
Conductor support Rd	8 mm
Dimensions	110 x 100 x 75 mm
Application note	for flat roofs with plastic, sealing or flat roofing sheets
Fixing possibility	to clamp in roofing sheet stripes (approx. 300 x 90 mm) up to 2.5 mm (not included in delivery) which are welded or adhered with the roof foil on site
Weight	58 g
Customs tariff number	85389099
GTIN	4013364054271
PU	100 Stk

Separate plastic upper part for type KF (Part No. 253 016) is available upon request.

We reserve the right to introduce changes in performance, configuration and technology, dimensions, weights and materials in the course of technical progress. The figures are shown without obligation.