

**DP 40 40 B13 AL (525 001)**



Figure without obligation

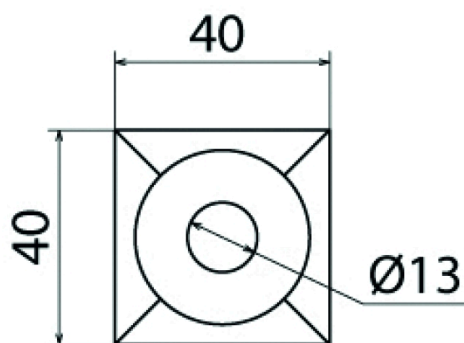


Figure without obligation

Type	DP 40 40 B13 AL
Part No.	525 001
Dimensions	M12, 40 x 40 x 6 mm
Material	Highly resistant Al alloy
Weight	19 g
Customs tariff number	85389099
GTIN	4013364004986
PU	10 Stk

We reserve the right to introduce changes in performance, configuration and technology, dimensions, weights and materials in the course of technical progress. The figures are shown without obligation.