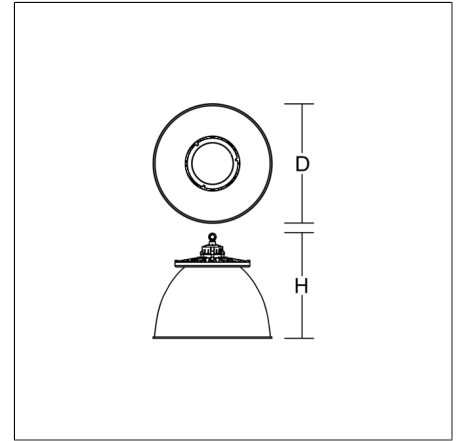




Highbay luminaires  
4051859930099  
D 315, H 356

Suspension cable/chain  
black



Round highbay luminaire for chain or cable suspension. Robust housing made of die-cast aluminium with eye ring, powder coated. Vertical cooling ribs ensure constant heat dissipation for optimal thermal management. Diffuser made of clear, non-reflecting, single pane safety glass (toughened glass). Refractor: PMMA, transparent. Easy to install thanks to 1-point suspension. Suitable for chain or steel cable suspension (to be provided on site). Luminaire with limited surface temperature in accordance with EN 60598-2-24 for use in environments in which a deposit of conductive dust on the luminaire can be expected. Qualified for use in the food and drink industry.

### Product specifications

Diameter D	315 mm
Height H	356 mm
Weight	3.09 kg
Light source	LED
Colour temperature	4000 K
Rated luminous flux	5350 lm
System power	40 W
System efficiency	134 lm/W
Glare evaluation UGR (4H 8H)	17,7
Beam angle	60°
Rated life	50000 h (L80/B10)
Colour rendering index (CRI)	80
Colour tolerance	4
Photobiological safety according to EN 62471	Risk group 1
Driver	Converter
Control	on/off
Voltage	230 - 240 V / 50 - 60 Hz
Luminaires on B10A fuse	10
Luminaires on B16A fuse	16
Luminaires on C10A fuse	17
Luminaires on C16A fuse	27
Inrush current / Inrush current duration	80 A / 350 µs
CIE Flux Code / CEN Flux Code	80 91 98 100 100
Type of protection	IP 65
Protection class	I
Filament test	650°C - 30 seconds
Impact resistance	IK03
Ambient temperature	-30 °C ... + 55 °C
Safety marks	D-mark
Conformity mark	CE, EAC