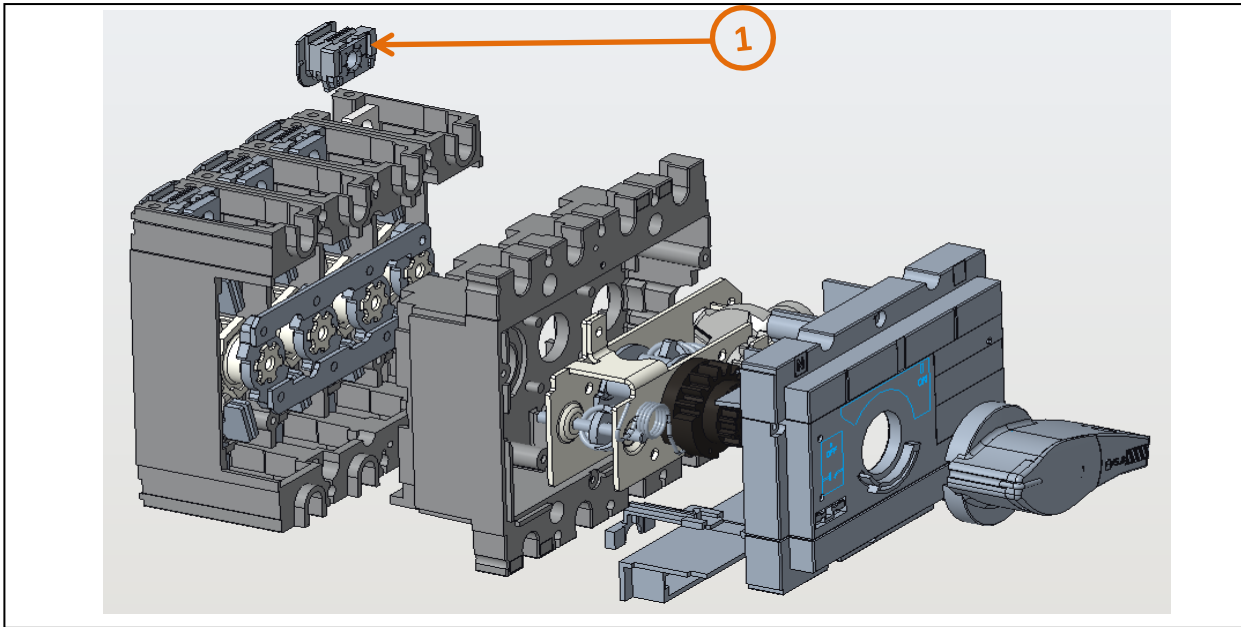


Product End of Life Instructions

INS250 4P 250 A - Switch Disconnecter



End of Life Instructions



Recommendation	Number on drawing	Component / Material	Weight (in g)	Comment
To be depolluted	1	Other plastic parts with brominated flame retardants	38.628	Plastic part contains FR(17)

Product description

Manufacturer identification	Schneider Electric Industries SAS
Brand name	Schneider Electric
Product function	This Compact INS250 is a 4 poles non-automatic switch-disconnector with black rotary handle. It is suitable for isolation with positive contact indication, as defined by IEC 60947-1 and IEC60947-3 standards. The operational current is 250A at 415VAC in categories AC22A and AC23A. The rated voltage is 690VAC 50/60Hz or 250VDC. The black rotary handle is designed to offer easy operation and high performance in interruption of currents.
Product reference	31107
Total representative product mass	2301.5753 g
Representative product dimensions	136mm x 140mm x 96mm
Accessories	No
Date of information release	10/2022

Additional information

Legal information	This product family is in the scope of European Union directive 2012/19/EU on Waste Electrical and Electronic Equipment (WEEE). The product family must be disposed according to the legislation of the country. This document is intended for use by end of life recyclers or treatment facilities. It provides the basic information to assure an appropriate end of life treatment for the components and materials of the product.
In case of special transportation: transportation method	No
Recyclability potential	48% Based on "ECO'DEEE recyclability and recoverability calculation method" (version V1, 20 Sep. 2008 presented to the French Agency for Environment and Energy Management: ADEME).

Schneider Electric Industries SAS

Country Customer Care Center

<http://www.schneider-electric.com/contact>

35, rue Joseph Monier

CS 30323

F- 92506 Rueil Malmaison Cedex

RCS Nanterre 954 503 439

Capital social 896 313 776 €

www.schneider-electric.com

ENVEOLI1304025_V2

Published by Schneider Electric

© 2019 - Schneider Electric – All rights reserved

10/2022