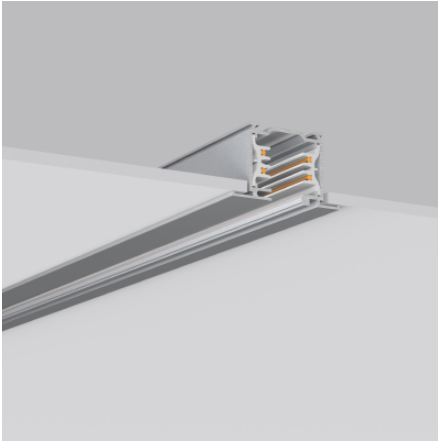


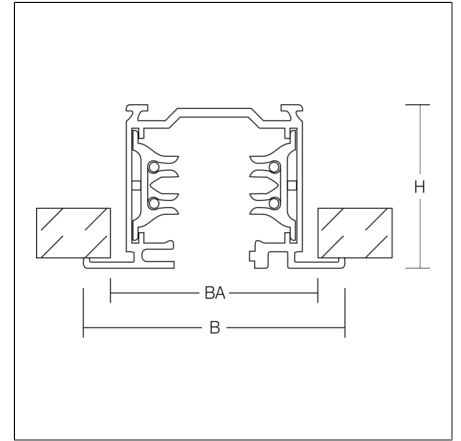
3-circuit tracks

701068.004 | Circuit tracks



Tracks
4010319962148
L 2000, B 53, H 33

Recessed ceiling mounting, wall (recessed)
anodised aluminium



Aluminium extrusion profile painted, tracks can be cut to any required length, may be used within hand's reach, with three mounting holes at 100, 990, 1880mm.

Product specifications

Length L	2000 mm
Width B	53 mm
Height H	33 mm
Cut-out length LA	2000 mm
Cut-out width BA	42 mm
Weight	2 kg
Voltage	0 - 250 V
Type of protection	IP 20
Protection class	I
Conformity mark	EAC