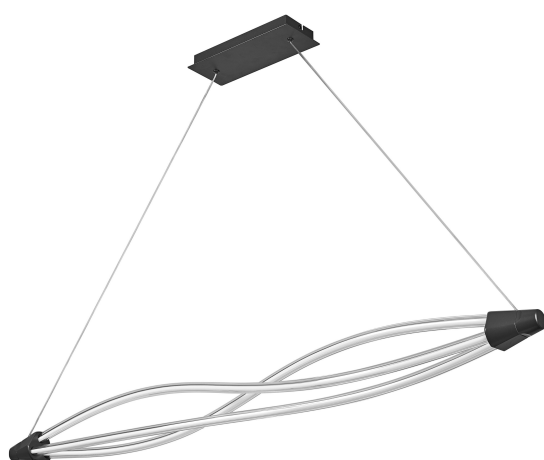


PRODUCT DATASHEET

Decor Swirl Pendant 22W 830 Click DIM

Decor Swirl | Decorative lights made of curved polycarbonate with integrated LED and an eye-catching filament design



Areas of application

- Indoor applications
- Corridors, entrance areas, stairwells, living rooms, basements

Product benefits

- Even filament illumination
- Click dim function by wall switch (only for pendant types)
- Different types of luminaires with the same design language maintain a consistent style at home
- Minimalistic style fits to every room
- Inline-switch for table and floor luminaire
- Easy mounting

Product features

- Housing material: polycarbonate (PC)
- High-power LED



TECHNICAL DATA

Electrical data

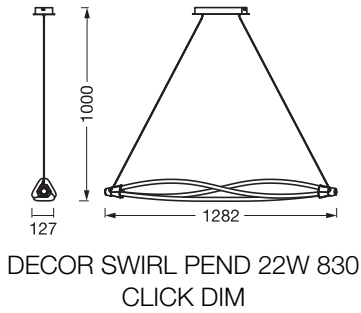
Nominal wattage	22.00 W
Nominal voltage	220...240 V
Mains frequency	50...60 Hz
Nominal current	100.000 mA
Inrush current	0.1 A
Inrush current time T_{h50}	150 μ s
Max. number of luminaires per miniature circuit breaker B16	31
Max. number of luminaires per miniature circuit breaker C10	25
Max. number of luminaires per miniature circuit breaker C16	42
Power factor λ	≥ 0.5
Total harmonic distortion	< 20 %
Protection class	I
Operating mode	Mains voltage

Photometrical data

Luminous flux	2400 lm
Total luminous flux of contained light sources	3390 lm
Luminous efficacy	109 lm/W
Color temperature	3000 K
Light color (designation)	Warm White
Color rendering index Ra	> 80
Standard deviation of color matching	6 sdc _m
Flickering metric (Pst LM)	< 1
Stroboscope effect metric (SVM)	< 0,4
Photobiological safety group acc. to EN62778	RG0
Beam angle	360 °

Dimensions & Weight

Length	1282.00 mm
Width	127.00 mm
Height	1000.00 mm
Product weight	2000.00 g



Materials & Colors

Product color	Dark gray
Housing color	Dark gray
Body material	Polycarbonate (PC)
Cover material	Polycarbonate (PC)
Glow Wire Test according to IEC 60695-2-12	650 °C

Application & Mounting

Ambient temperature range	-20...+40 °C
Temperature range at storage	-20...+80 °C
Type of connection	Terminal, 3-Pole (L, N, PE)
Type of protection	IP20
Protection class IK (shock resistance)	IK03
Dimmable	Yes
Type of dimming	CLICKSWITC
Mounting type	Suspended
Application environment	Indoor
With light source	Yes

Lifespan

Lifespan L70/B50 at 25 °C	25000 h ¹⁾
---------------------------	-----------------------

¹⁾ t[h]: L70 / B50 @ 25 °C (Ta), t[h]: L80 / B10 @ 25 °C (Ta), t[h]: L90 / B10 @ 25 °C (Ta)

Certificates & Standards

Standards	CE / UKCA
Luminaire with limited surface temperature, "D sign"	No




Replaceable light source (EPREL)

Not replaceable

Safety advice

- All electrical connections must be made by a qualified person.
- Caution, risk of electric shock.
- Product in protection class I. All electrically conductive, metallic housing parts that can absorb voltage during operation or during maintenance in the event of a fault must be continuously connected to the protective earthing conductor.
- Check wall-ceiling for suitability. If uncertain, seek professional advice.

DOWNLOAD DATA

Documents and certificates	Document name
 User instruction / safety instructions	DECOR SWIRL PEND
 Declarations of conformity	DECOR SWIRL PEND CLICK
 Declarations of conformity UKCA	DECOR SWIRL PEND CLICK

LOGISTICAL DATA

Product code	Packaging unit (Pieces/Unit)	Dimensions (length x width x height)	Gross weight	Volume
4058075841963	Folding box 1	152 mm x 1,332 mm x 173 mm	2623.00 g	35.03 dm ³
4058075841970	Shipping box 4	1,343 mm x 316 mm x 376 mm	12181.00 g	159.57 dm ³

The mentioned product code describes the smallest quantity unit which can be ordered. One shipping unit can contain one or more single products. When placing an order, for the quantity please enter single or multiples of a shipping unit.

DISCLAIMER

Subject to change without notice. Errors and omission excepted. Always make sure to use the most recent release.