

# PRODUCT DATASHEET

## TRACK SP D95 55 W 4000 K 90RA NFL WT

TRACKLIGHT SPOT D95 55W | 3-phase tracklight spot with integrated control gear, high wattage



### Areas of application

- Direct replacement for luminaires using HID lamps
- Accent lighting
- Fashion shops, accessories shops
- Retail
- Hotels, restaurants, shops

### Product benefits

- Included 3-phase adapter compatible with common tracks (GLOBAL, EUTRAC, POWERGEAR, STAFF, NORLUX, NUCO, NORDIC)
- Deep reflector and black antiglare ring for minimized glare (UGR < 16)
- Reflector easily replaceable thanks to bayonet catch and rubber suction pad
- No distraction of attention from the illuminated objects thanks to reduced design
- Low flicker light thanks to special electronic control gear
- 5 years guarantee

### Product features

- Compact tracklight spot with integrated control gear
- Rotation angle: 350°, tilt angle: 90°
- Luminaire efficacy: up to 80 lm/W
- Available with color temperature 3000 K or 4000 K



- Very good color rendering index  $R_a$ : > 90
- Color rendering index  $R_a9$ : > 50
- Initial color consistency:  $\leq 3$  SDCM
- Equipped with reflectors with  $24^\circ$  beam angle
- Follows the unified LEDVANCE design language (SCALE design)
- Robust die-cast aluminum housing
- Available in matt white (like RAL9016), matt black (like RAL9004) and concrete grey (like RAL7042)

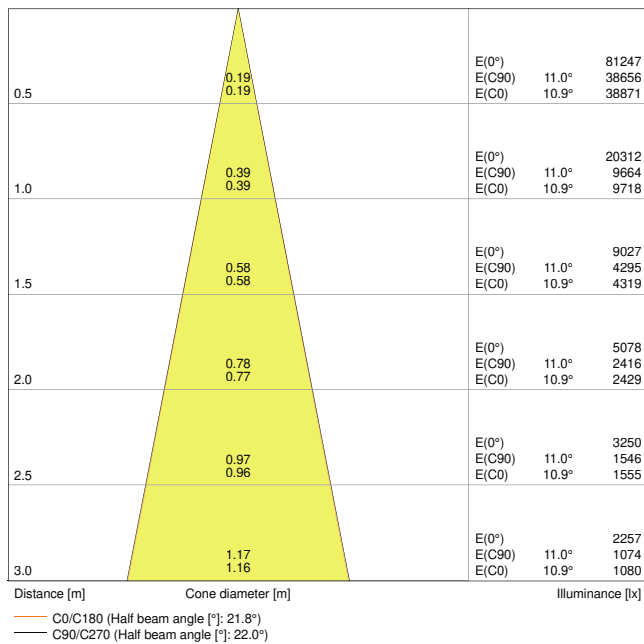
## TECHNICAL DATA

### Electrical data

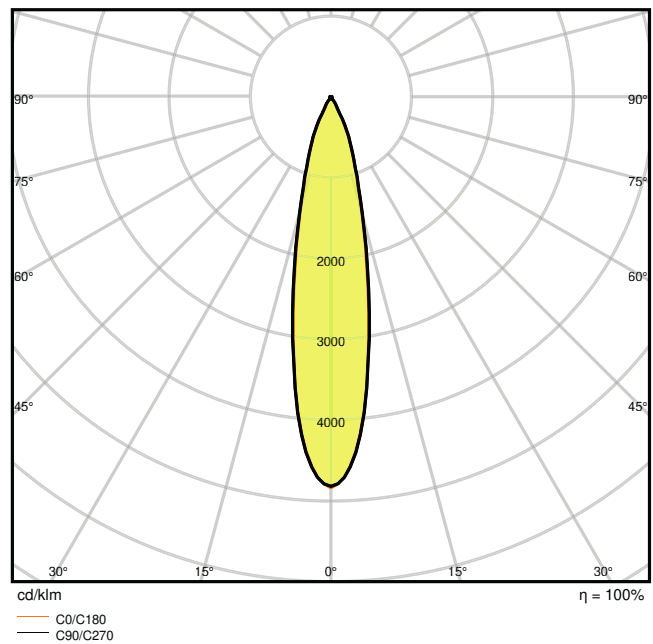
|   |                       |
|---|-----------------------|
| Nominal wattage   | 55.00 W               |
| Nominal voltage   | 220...240 V           |
| Mains frequency   | 50...60 Hz            |
| Nominal current   | 240 mA                |
| Inrush current  | 25 A                  |
| Inrush current time $T_{h50}$                               | < 5 $\mu$ s           |
| Max. number of luminaires per miniature circuit breaker B16 | 32                    |
| Max. number of luminaires per miniature circuit breaker C10 | 26                    |
| Max. number of luminaires per miniature circuit breaker C16 | 41                    |
| Power factor $\lambda$                                      | $\geq 0.90$           |
| Total harmonic distortion                                   | < 15 %                |
| Protection class  | I                     |
| Operating mode  | Integrated LED driver |

### Photometrical data

|  |                           |
|--|---------------------------|
| Luminous flux                                | 4200 lm                   |
| Luminous efficacy                            | 75 lm/W                   |
| Color temperature                            | 4000 K                    |
| Light color (designation)                    | Cool White                |
| Color rendering index Ra                     | 90                        |
| Standard deviation of color matching         | $\leq 3$ sdc <sub>m</sub> |
| Luminous intensity                           | -                         |
| Low flicker                                  | Yes                       |
| Flickering metric (Pst LM)                   | -                         |
| Stroboscope effect metric (SVM)              | -                         |
| Photobiological safety group acc. to EN62778 | RG1                       |
| Beam angle                                   | 24 °                      |



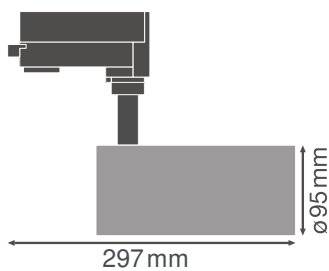
TRACK SP D95 55W4000K 90RA NFL WT



TRACK SP D95 55W4000K 90RA NFL WT

Dimensions & Weight

|                |           |
|----------------|-----------|
| Diameter       | 95.00 mm  |
| Height         | 297.00 mm |
| Product weight | 1520.00 g |



TRACK SP D95 BK

Materials & Colors

|               |          |
|---------------|----------|
| Product color | White    |
| Housing color | White    |
| Body material | Aluminum |

|  |                               |
|--|-------------------------------|
| Cover material                             | Polymethylmethacrylate (PMMA) |
| Light emitting surface material            | Polycarbonate (PC)            |
| Glow Wire Test according to IEC 60695-2-12 | 650 °C                        |
| Mercury content                            | 0.0 mg                        |

### Application & Mounting

|  |                  |
|--|------------------|
| Ambient temperature range              | -20...+40 °C     |
| Type of connection                     | Adapter, 3-phase |
| Type of protection                     | IP20             |
| Protection class IK (shock resistance) | IK02             |
| Dimmable                               | No               |
| Mounting type                          | Surface          |
| Mounting location                      | Mounting track   |
| Application environment                | Indoor           |
| Adjustable                             | Yes              |

### Lifespan

|                            |                       |
|----------------------------|-----------------------|
| Lifespan L70/B50 at 25 °C  | 50000 h <sup>1)</sup> |
| Lifespan L80/B10 at 25 °C  | 45000 h <sup>1)</sup> |
| Lifespan L80/B50 at 25 °C  | 45000 h               |
| Lifespan L90/B10 at 25 °C  | 30000 h               |
| Number of switching cycles | 50000                 |

<sup>1)</sup> t[h]: L70 / B50 @ 25 °C (Ta), t[h]: L80 / B10 @ 25 °C (Ta), t[h]: L90 / B10 @ 25 °C (Ta)

### Control gear

|                             |         |
|-----------------------------|---------|
| Output current              | 1300 mA |
| ECG - Output ripple current | < 10 %  |

















### Certificates & Standards


|  |                                       |
|--|---------------------------------------|
| Standards  | CE / CB / ENEC / TÜV SÜD / EAC / RoHS |
| Luminaire with limited surface temperature, "D sign" | No                                    |
| Ball shot safe                                       | No                                    |
| Replaceable light source (EPREL)                     | Not replaceable                       |

### EQUIPMENT / ACCESSORIES


– Accessory reflectors with 15° or 38° beam angle available

## DOWNLOAD DATA

| Documents and certificates   |  | Document name                           |
|--|--|---|
|    | User instruction / safety instructions | UI Tracklight Spot                      |
|    | On-Pack-Info                           | Legal Insert Tracklight                 |
|    | Legal information                      | LS Insert TRACK SP D                    |
|    | Legal information                      | TRACKLIGHT SPOT                         |
|    | Legal information                      | Informationstext 18 Abs 4 ElektroG      |
|    | Declarations of conformity             | Attestation-of-Conformity Track SP LEDV |
|    | Declarations of conformity             | Attestation-of-Conformity Track SP TÜV  |
|   | Declarations of conformity UKCA        | TRACK SP                                |
| Photometric and lighting design files  |  | Document name                           |
|  | IES file (IES)                         | TRACK SP D95 55W4000K 90RA NFL WT       |
|  | LDT file (Eulumdat)                    | TRACK SP D95 55W4000K 90RA NFL WT       |
|  | ULD file (DIALux)                      | TRACKLIGHTSPOTD9555W55W4000K90RANFLWT   |
|  | ROLF file (RELUX)                      | TRACK SP D95 55W-4000K                  |
|  | UGR file (UGR table)                   | TRACK SP D95 55W4000K 90RA NFL WT       |
|  | Light distribution curve type cone     | TRACK SP D95 55W4000K 90RA NFL WT       |
|  | Light distribution curve type polar    | TRACK SP D95 55W4000K 90RA NFL WT       |
| CAD/BIM files  |  | Document name                           |
|  | BIM Revit 3D                           | TRACKLIGHT SPOT                         |

| CAD/BIM files   |             | Document name |
|---|-------------|---------------|
|  | CAD STEP 3D | TRACK SP D95  |

---

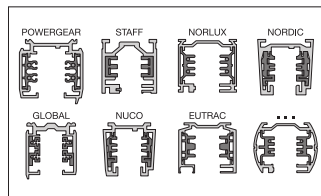
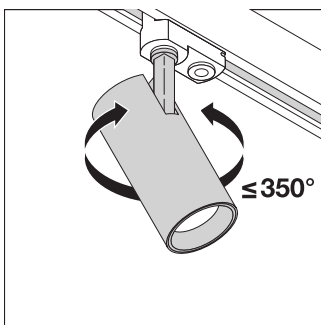
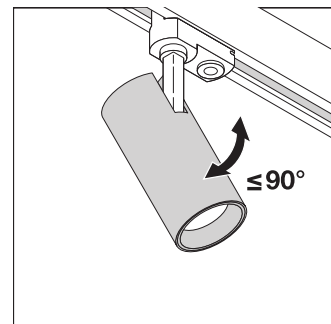
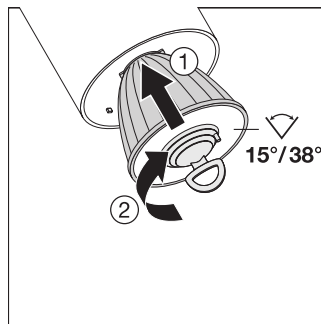
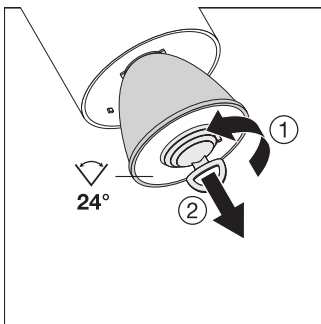
| Tender texts  |                  | Document name                                      |
|---|------------------|--|
|  | Tender documents | TRACKLIGHT SPOT D95 55W 55 W 4000 K 90RA NFL WT-EN |

**LOGISTICAL DATA**

| Product code  | Packaging unit (Pieces/Unit) | Dimensions (length x width x height) | Gross weight | Volume                |
|---------------|------------------------------|--------------------------------------|--------------|-----------------------|
| 4058075113541 | Folding box<br>1             | 120 mm x 120 mm x 330 mm             | 1625.00 g    | 4.75 dm <sup>3</sup>  |
| 4058075113558 | Shipping box<br>4            | 495 mm x 130 mm x 340 mm             | 6977.00 g    | 21.88 dm <sup>3</sup> |

The mentioned product code describes the smallest quantity unit which can be ordered. One shipping unit can contain one or more single products. When placing an order, for the quantity please enter single or multiples of a shipping unit.

**ADDITIONAL CATALOG INFORMATION**



**References / Links**

– For Guarantee see [www.ledvance.com/guarantee](http://www.ledvance.com/guarantee)

---

## DISCLAIMER

Subject to change without notice. Errors and omission excepted. Always make sure to use the most recent release.