

Transponder reader for transponder keys or cards

10-905

4 year warranty

The transponder reader is used as a door opening function, either stand-alone or as a part of an access control installation. Up to 250 transponder keys can be programmed. When reading the key, you receive visual and acoustic feedback. The programming of the system is password-protected. The transponder is also protected against sabotage of the device. The module is made of anodised aluminium.

The transponder reader module includes an IR remote control.

Technical data

Transponder reader for transponder keys or cards

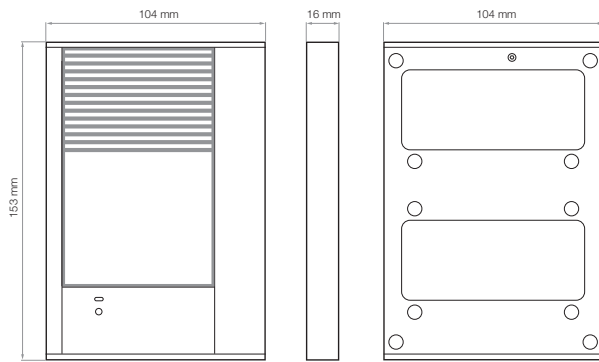
- dimensions: 153 x 104 x 16 mm (HxWxD)
 - finishing colour: anodised aluminium
 - mounting: surface-mounting
 - ambient temperature: -25°C to +55°C
 - protection degree: IP44
 - vandal proof: yes
 - power supply voltage: +24V ± 8% (18-28V in stand-alone)
 - input current (in standby): 0 mA, I(P) = 17 mA
 - max input current: I(Pmax) = 40 mA
 - wire technique: 2- or 3-wired
 - marking: CE
-
- up to 250 transponder keys can be programmed
 - MIFARE Classic® 1K / 4K technology
 - door opening function with potential-free relay contact
 - visual and acoustic feedback after code is entered
 - LEDs for status indication
 - password protection against unauthorized configuration
 - sabotage contact
 - configurable with Niko Configuration SW for access control
 - Marking: CE



CE

niko

Dimensions



Wiring diagram

