

THORGEON

SENSORS

REMOTE
CONTROLLED
PIR SENSOR 2-IN-1



Scan me

www.thorgeon.com/02033

Manufactured in PRC

02033



LED
POWER
2000W

360°

20m

TIME

LUX

STAND-BY

INDOOR
OUTDOOR

IP54

Hz
50-60

220-240V

2.2-6m

DIMM
10/20/30%

-20°C

+40°C

CE EAC UK CA



THORGEON



www.thorgeon.com

SIA "ATTA-1", Daugavgrivas street 77,
Riga, Latvia, LV-1007



4752280005591

Developed in Latvia

Welcome to the world of the 02032 THORGEON remote controlled Infrared DALI Sensor!

This product is equipped with a highly sensitive detector and an integrated circuit, seamlessly blending automation, convenience, safety, energy efficiency, and practicality. Designed to connect with two lamps simultaneously, it offers the flexibility of operating in synchronous or distinct modes. Harnessing infrared energy from humans as a control signal source, the sensor triggers the connected load instantly upon detecting movement within its field. Additionally, it boasts automatic day and night recognition for enhanced adaptability. With easy installation and widespread usability, this sensor is your gateway to a more efficient and user-friendly lighting experience.

SPECIFICATION:

Voltage: 220-240V/AC

Output: 2 Channels (CH1&CH2)

Max.25pcs of DALI Electronic ballasts or LED drivers per Channel.

Daylight sensor: <3-2000LUX (adjustable)

Working Temperature: -20~+40°C

LUX1&LUX2: approx.10LUX-2000LUX.

Detection Moving Speed: 0.6-1.5m/s

Stand-by Period: 5min, 10min, 15min, 30min, 60min, +∞(choice)

IP Class: IP54

Detection Range: 360°

Power Frequency: 50/60Hz

Hold Time: Min.10sec±3sec

Max.60min±2min

Detection Distance: 20m max (<24°C)

Power Consumption: approx. 0.5W

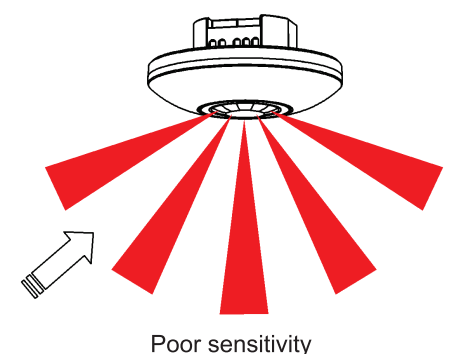
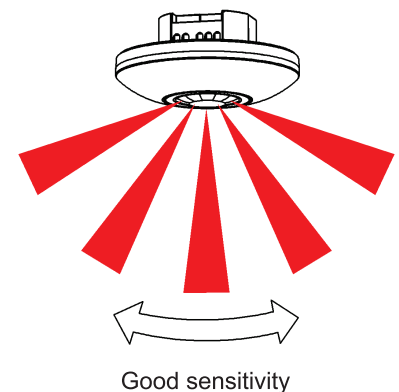
Installation Height: 2.2-6m

Automatic Lighting Range: 100LUX-300LUX

Stand-by Dimming Level: OFF, 10%, 20%, 30% (choice)

FUNCTION:

- The 02032 THORGEON Sensor offers a dynamic response to ambient light conditions. By adjusting the working state based on ambient light, users can customize its operation. The sensor functions in both daytime and nighttime settings when set to the "sun" position (max), and in low-light conditions (less than 3LUX) when set to the "3" position (min). For detailed adjustment instructions, please refer to the provided testing pattern.
- In the event of receiving a second induction signal within the initial activation, the sensor seamlessly restarts the timing process from that moment, ensuring a continuous and uninterrupted experience.
- The sensor provides three illumination levels: 100%, dimmed light with optional levels (10%, 20%, 30%), and off. Users can choose from two selectable waiting times, motion hold times, and stand-by periods. Additionally, the sensor offers customizable LUX values and the option to define the detection area, enhancing its adaptability to diverse environments.
- Responding intelligently to changes in ambient light, the sensor ensures automatic lighting adjustments. As ambient light increases, the illumination dims accordingly. Conversely, in low-light situations, such as insufficient daylight (e.g., ambient light < 100lux), the lamp operates at 100% illumination. For instance, if the lamp's maximum illumination is 200lux, it turns on at 100% when ambient light is below 100lux and turns off when the ambient light exceeds 300lux.
- With the capability to connect to two lamps simultaneously, the sensor allows users to configure them to operate in the same or different modes, offering flexibility and customization based on individual preferences and lighting needs.



INSTALLATION (3 methods):

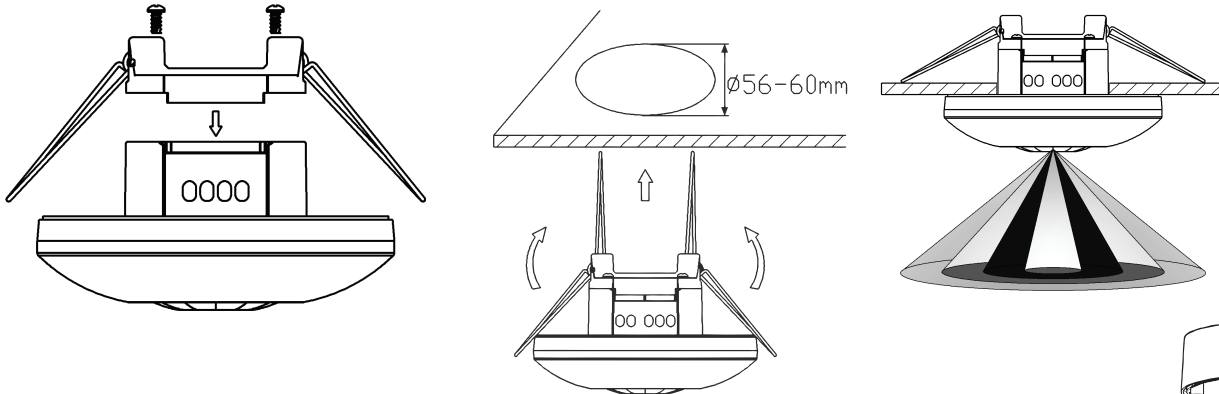
Method 1: Recessed mounting

- Switch off the power and unload the bottom cover.
- Connect the power to connection terminal of sensor according to connection-wire diagram.
- Install back the bottom cover into the original location.
- Fold the metal spring of the sensor upwards and then put the sensor into the suitable hole or installation box. Releasing the spring, the sensor will be set in this installation position.
- After finishing installing, turn on the power and then test it.

INSTALLATION (3 methods):

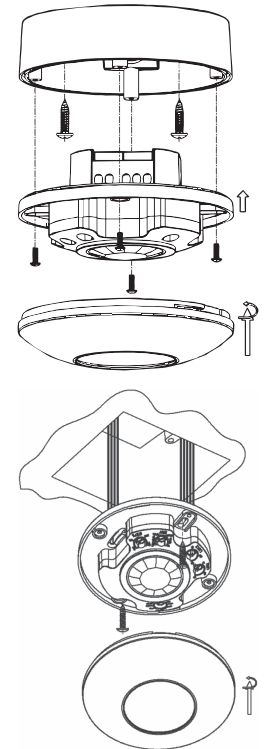
Method 1: Recessed mounting

- Switch off the power and unload the bottom cover.
- Connect the power to connection terminal of sensor according to connection-wire diagram.
- Install back the bottom cover into the original location.
- Fold the metal spring of the sensor upwards and then put the sensor into the suitable hole or installation box. Releasing the spring, the sensor will be set in this installation position.
- After finishing installing, turn on the power and then test it.



Method 2: Surface mounting

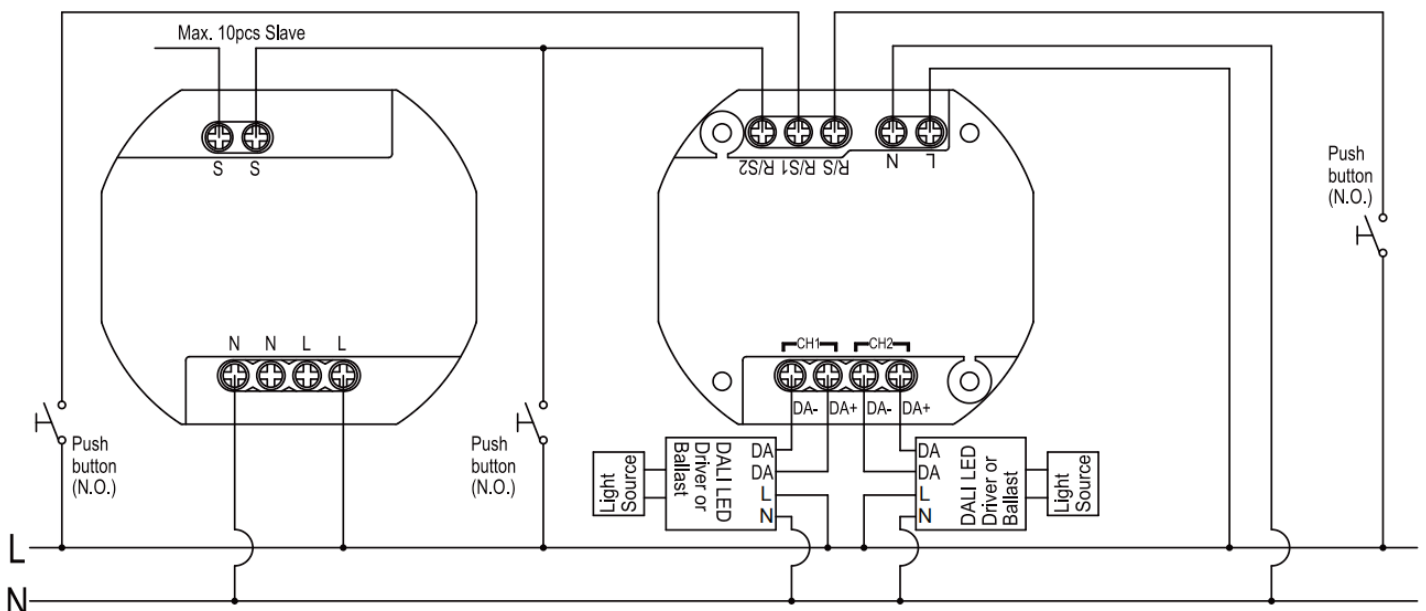
- Remove the metal spring from the sensor and use the bottom casing.
- Move the upper cover with anti-clockwise whirl as per the diagram on the right.
- Connect the power and the load according to the connection-wire diagram.
- Fix the bottom casing on the selected position with the inflated screw.
- Install the upper cover on the sensor, then you could switch on the power and test it.



Method 3: Mounting in junction box

- Please remove the metal spring and bottom casing of the sensor.
- Loose the screws in the connection terminal, and then connect the power to connection terminal of sensor according to connection-wire diagram.
- Install the sensor into the junction box, fix the screw through the mounting hole (refer to figure).
- Install the faceplate back, switch on the power and then test it.

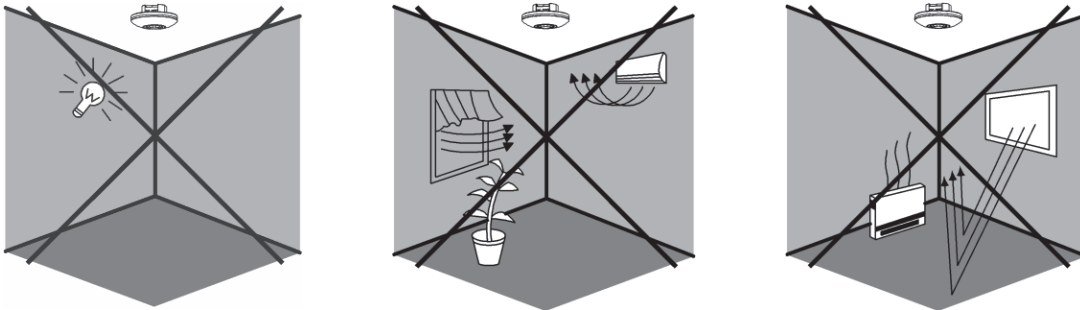
CONNECTION-WIRE DIAGRAM



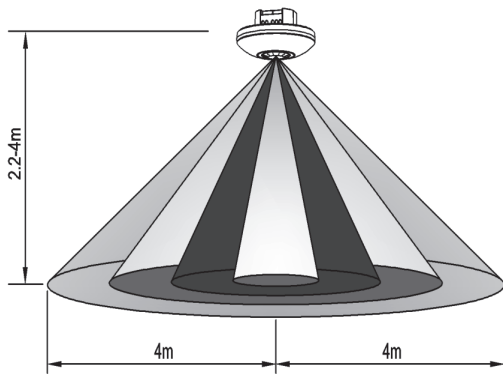
INSTALLATION ADVICE:

As the detector responds to changes in temperature, avoid the following situations:

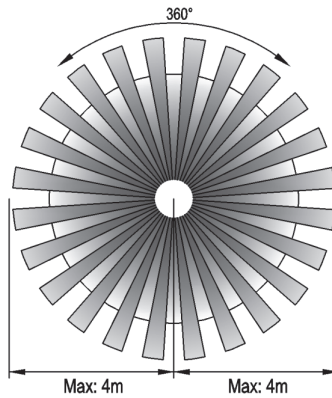
- Avoid pointing the detector towards objects with highly reflective surfaces, such as mirrors etc.
- Avoid mounting the detector near heat sources, such as heating vents, air conditioning units, light etc.
- Avoid pointing the detector towards objects that may move in the wind, such as curtains, tall plants etc.



SENSOR INFORMATION:

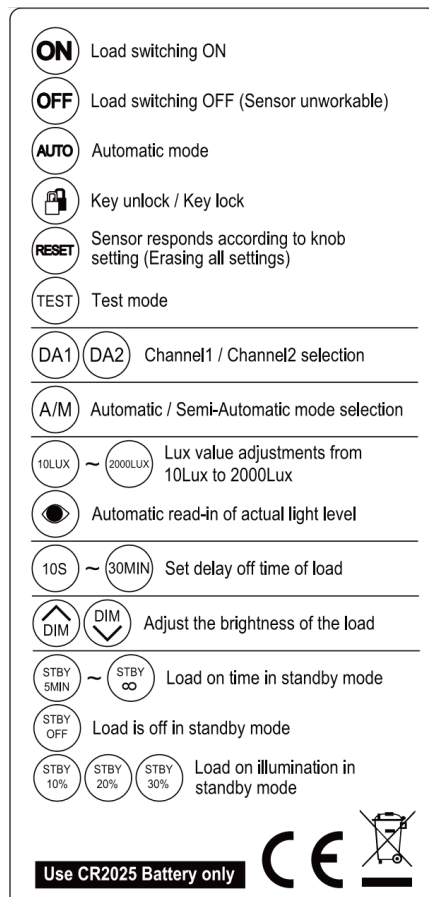
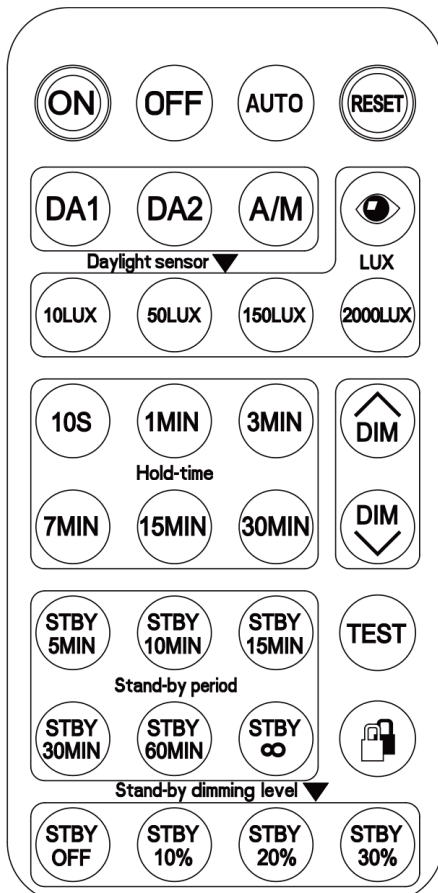


Height of installation: 2,2-4m



Detection Distance: Max8m

REMOTE CONTROLLER

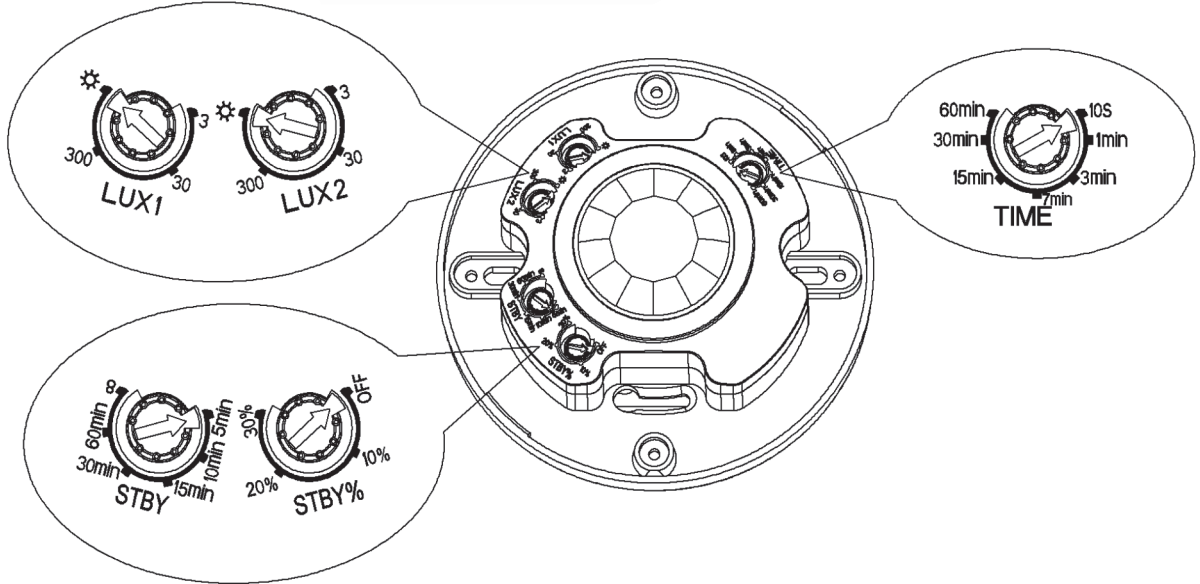
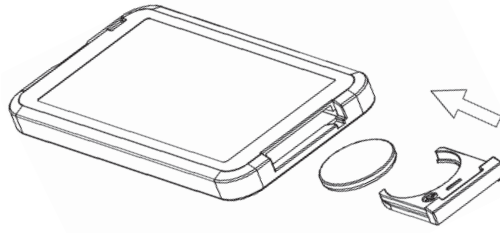


Use CR2025 Battery only



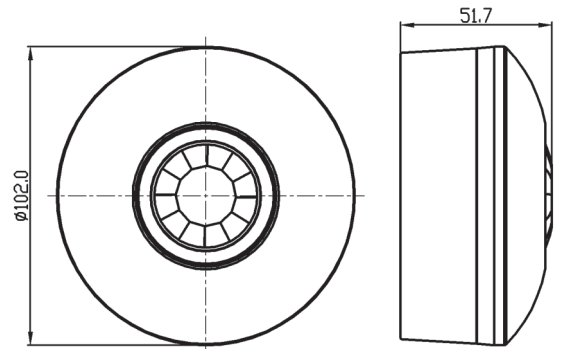
BATTERY REPLACEMENT

Pull out the battery holder.
Put in a new battery (3V)



TEST:

- Turn the TIME knob anti-clockwise to the minimum (10s). Turn the LUX1 and LUX2 knob clockwise to the maximum (sun). Turn the STBY% knob anti-clockwise (OFF).
- When you switch on the power, the light will be on at once, and 10 sec later without induction signal the light will turn off slowly. Then if the sensor receives an induction signal, it can work normally.
- Adjust the Stand-by Dimming Level to "10%", stand-by period to "5min", when the sensor receives induction signal, the light will be 100% on; 10sec later, the light dims slowly to 10% on for 5min and then turn off. If the sensor receives a second induction signal within the stand-by period, the light will be 100% on.
- Press the Key unlock button of remote control.
- Press the DA1 of DA2 knob button of remote control firstly and then you can set the Daylight sensor, Hold-time, Stand-by period, Stand-by Dimming level as required. Then the 2 lamps will work as the settings.



SOME PROBLEM AND SOLVED WAY:

The load does not work:

- Check if the connection of power source and load is correct.
- Check if the load is good.
- Check if the settings of the working light correspond to ambient light.

The sensitivity is poor:

- Check if there is any hindrance in front of the detector to affect it to receive the signals.
- Check if the ambient temperature is too high.
- Check if the induction signal source is in the detection field.
- Check if the installation height corresponds to the height required in the instruction.
- Check if the moving orientation is correct.

The sensor cannot shut off the load automatically:

- Check if there is continual signal in the detection field.
- Check if the time delay is set to the maximum position.
- Check if the power corresponds to the instruction.

