
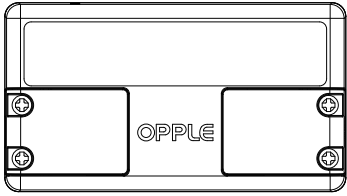
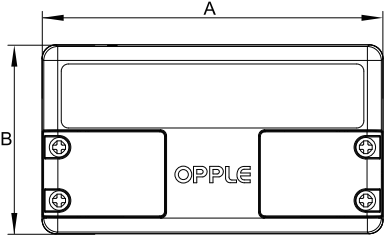
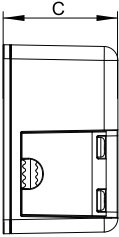
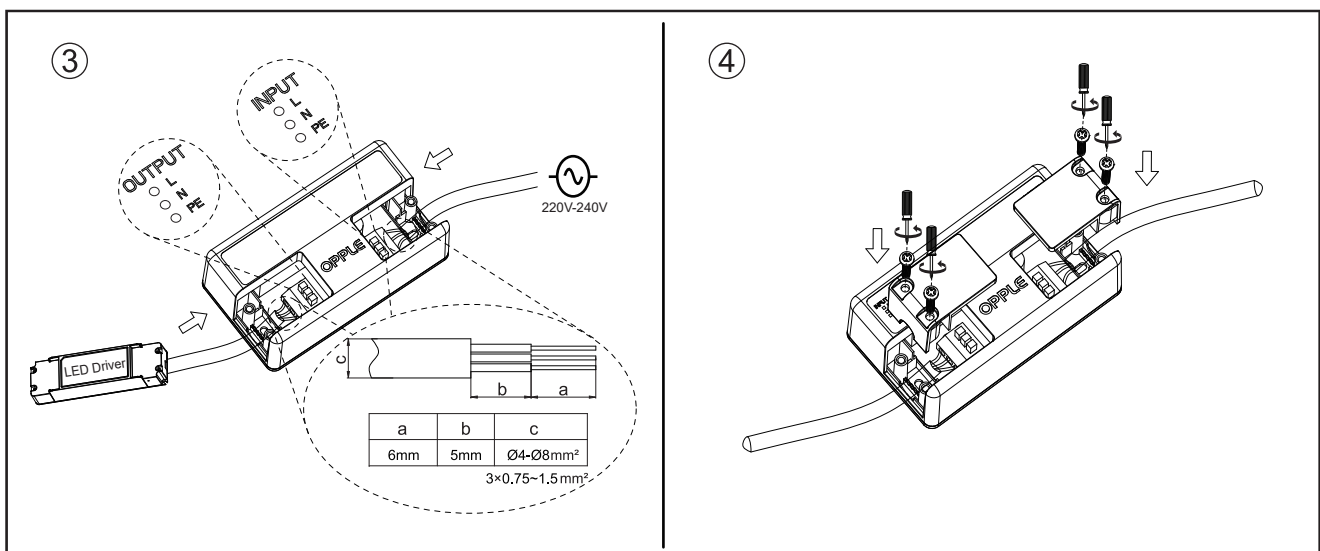
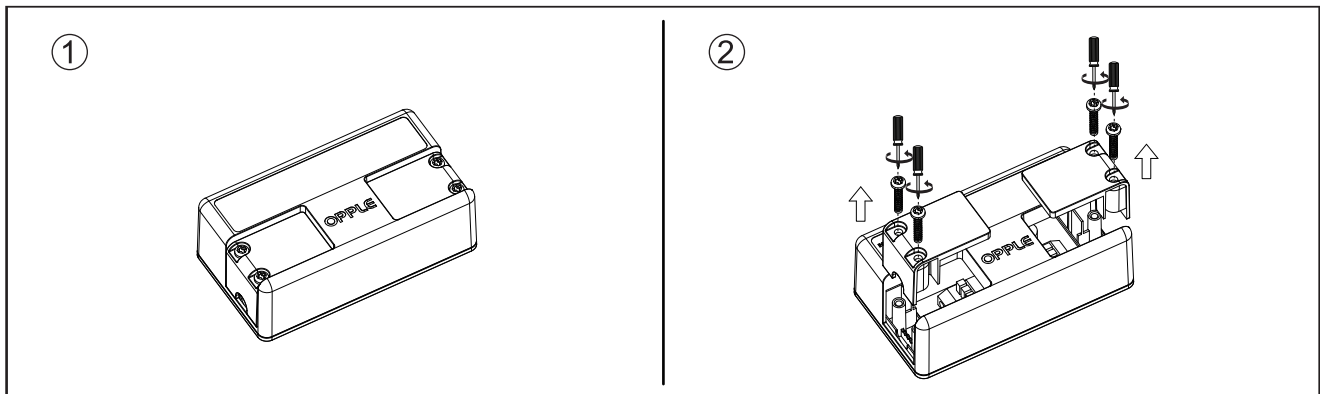


Smart Relay

Item Code <hr/> 506006003100	 <hr/> 0.084kg	
--	--	--

		<table border="1"> <thead> <tr> <th>Type</th> <th>A (mm)</th> <th>B (mm)</th> <th>C (mm)</th> </tr> </thead> <tbody> <tr> <td>LED Smart-Relay 500W BLE</td> <td>96</td> <td>53</td> <td>32</td> </tr> </tbody> </table>	Type	A (mm)	B (mm)	C (mm)	LED Smart-Relay 500W BLE	96	53	32
Type	A (mm)	B (mm)	C (mm)							
LED Smart-Relay 500W BLE	96	53	32							



- The Smart Relay LED indicator will blink if the connected devices surpass the 500W load limit
- To avoid overload, the Smart Relay will automatically shut off if the connected devices load surpasses 600W



Do not cover with insulation material

Suzhou Opplle Lighting Co.,Ltd.
215200
East Side, Fenyang Road,
Fenhu Economic Development Zone,
Wujiang City, Jiangsu Province,
P.R.China

OPPLE Lighting B.V.
Materiaalweg 6-6A
5681 RJ Best
The Netherlands
service@opple.com
www.opple.com

250052404001

Data subject to change
Les données sont sujettes à modifications
Änderungen vorbehalten