

Temperature Sensor

ESMI 52051HTEx

Instruction Sheet
R10065GB0



Schneider Electric Fire & Security Oy

Sokerilinnantie 11 C
FI-02600 Espoo, Finland
Tel: +358 10 446 511
Website: www.schneider-electric.com
Document number: R10065GB0
Published: 24.04.2019

© 2018 – Schneider Electric. All Rights Reserved. This information is only to be used as guidance. Subject to changes and errors.

Contents

1	Temperature Sensor ESMI 52051HTEx	4
1.1	AP200 Series detectors	4
1.2	Address setting	5
1.3	Detector base B501AP	5
1.4	Mechanical installation	5
1.5	Electrical connections	6
1.6	Thermal sensor performance	6
1.7	Product Codes	6

1 Temperature Sensor ESMI 52051HTE_x

The ESMI 52051HTE is fixed temperature analogue addressable sensor employing low mass thermistors and microprocessor technology for fast response and linear temperature sensing. Its linear response allows these sensors to be used to signal temperatures over the range of 58°C (Class A1S) to 78°C (Class BS).

1.1 AP200 Series detectors

AP200 series detectors for Esmi Sense FDP and FX 3NET Fire Detection Systems with FX-SLC protocol

AP200 series detectors are compatible with the FX-SLC loop controller (159+159 addresses per loop).

The new FX-SLC protocol delivers more devices on the loop and gives greater control, configurability and device management whilst enabling the overall system to be optimised to the location.

AP200 series detectors are mechanically and electrically backwards compatible with Series 200 devices.

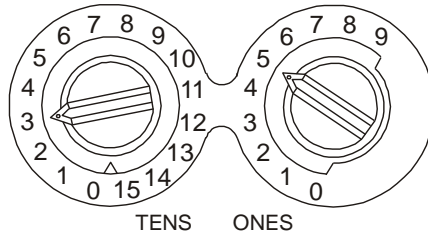
All detectors are environmentally friendly and meet the WEEE and RoHS legislative requirements, minimising end of life disposal costs.

The AP200 series detectors (except ESMI2251CTLE-W) have two integral tri-colour LEDs that provide 360° local visual indication of the device status. The LED colours are red for alarm, amber for fault and green for normal condition. The ESMI2251CTLE-W LED colour is red.

The detectors are available with or without single pole short circuit isolation.

1.2 Address setting

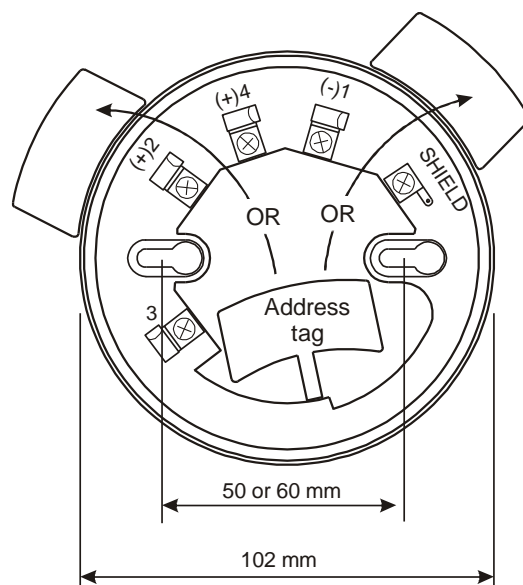
The individual address of detectors is set using the rotary switches.



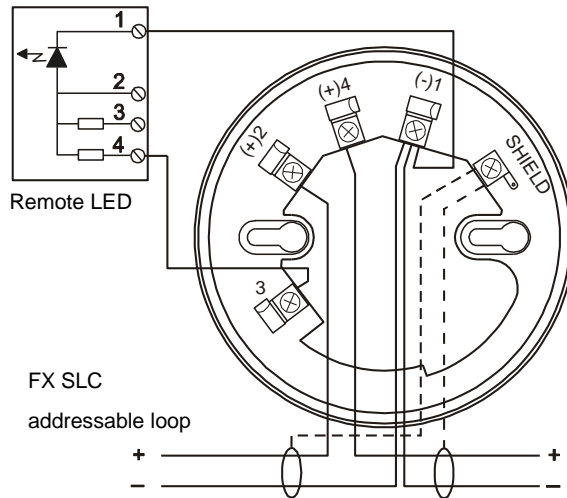
1.3 Detector base B501AP



1.4 Mechanical installation



1.5 Electrical connections



1.6 Thermal sensor performance

Thermal sensor	Performance
52051RE	Class A1R, 58°C Fixed temperature and Rate of Rise
52051E	Class A1S, 58°C Fixed temperature
52051HTE	Class BS, 78°C Fixed temperature

1.7 Product Codes

Product	Product code
ESMI 52051HTEI (with isolator)	FFS0671 0615
ESMI 52051HTE (without isolator)	FFS0671 0616
B501AP	FFS0671 0600