


10005000	<b>DATA SHEET</b>	
Valid from: 17.09.2018	<b>EPIC® H-B 6 SGR-LB</b>	

## Description

- The smallest housing out of the H-B series.
- For inserts with high properties.



## General Characteristics

Series	H-B 6
Version	Socket housing PG 16
Locking	Single lever
Cable entry	1
Protection (DIN EN 60529)	IP 65 (latched)
Protection (NEMA 250, UL50E)	4, 12 (latched)
Temperature Range	-40°C to +100°C, short term up to +125°C

## Materials and Surfaces

Housing	Aluminium alloy, powder-coated, grey
Bolt	stainless steel
Lever	Steel, zinc-plated
Profile Seal	NBR


## Approvals

VDE-Approval, VDE-REG.-Nr.	B437
----------------------------	------

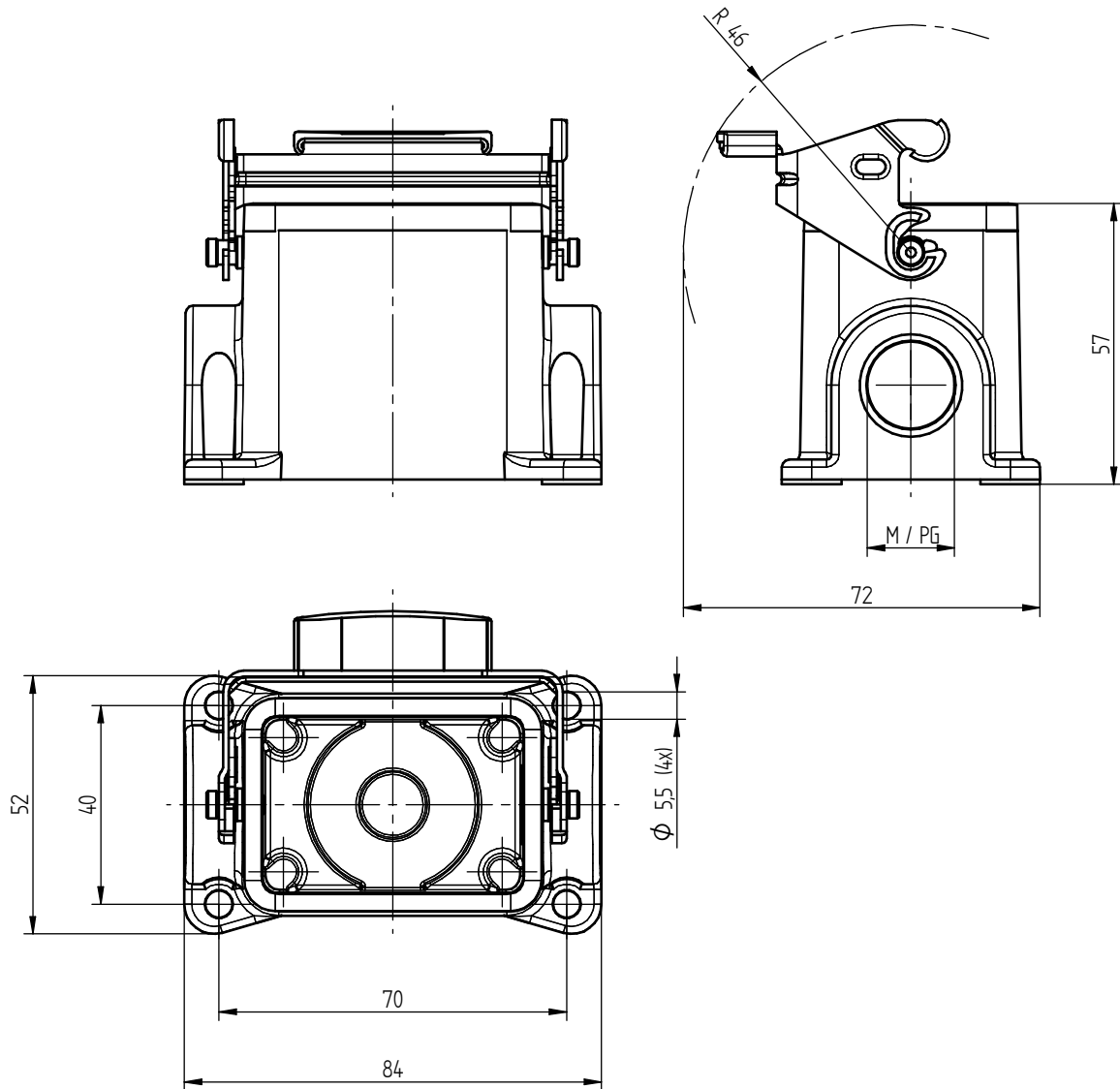
## Standard

Safety Standard	IEC 61984
-----------------	-----------


Creator: MANA2/PDP Released: IVSE1/PDP	Document: DB10005000EN Version: 02	Page 1 of 3
---	---------------------------------------	-------------

10005000	<b>DATA SHEET</b>	
Valid from: 17.09.2018	EPIC® H-B 6 SGR-LB	

### Technical Drawings



Creator: MANA2/PDP Released: IVSE1/PDP	Document: DB10005000EN Version: 02	Page 2 of 3
---	---------------------------------------	-------------

10005000	<b>DATA SHEET</b>	
Valid from: 17.09.2018	<b>EPIC® H-B 6 SGR-LB</b>	



Automation



Industrial machinery and plant engineering



Mechanical resistance



Robust



Waterproof

### Info

Universal, robust metal housings size H-B 6

### Application range

Plant engineering  
Control engineering  
Plastics industry

### Remark

Photographs are not to scale and do not represent detailed images of the respective products.

Creator: MANA2/PDP Released: IVSE1/PDP	Document: DB10005000EN Version: 02	Page 3 of 3
---	---------------------------------------	-------------