


5301 6010	<b>DATA SHEET</b>	
Valid from: 23.11.2021	<b>SKINTOP® ST NPT / STR NPT</b>	

The SKINTOP® ST NPT / STR NPT is a plastic cable gland with NPT connecting thread. It is designed for universal use, above all for functional safety in manufacturing of machines and equipment, in measurement and control technology and automation technology, as well as in the electronic technology and in manufacturing of robots.



**Material:**

Gland body	Polyamide 6
Cap nut	Polyamide 6
Sealing insert	CR

**Technical Features:**

Connecting thread	NPT 3/8" up to NPT 1" acc. to ANSI/ASME B 1.20.1-1983
Functional thread	Multi-start trapezoidal thread
Protection class	IP68 – 5bar/30min acc. to DIN EN 60529
NEMA Type Rating	NEMA Type 1 and Type 12
Strain relief	Categories A acc. to DIN VDE 0619
Design	ST = Standard STR = Standard with reducing
Temperature range	Dynamic -20°C up to +100°C Statically -40°C up to +100°C

**Additional features:**

Fire Classification	V2 acc. to UL 94
UV-Resistant	SKINTOP® ST NPT /STR NPT Black

**Color:**

Black, RAL 9005  
Light grey, RAL 7001

**Approbation:**



E-File: E79903 (Test in acc. to UL514B)


**Reference Standards:**



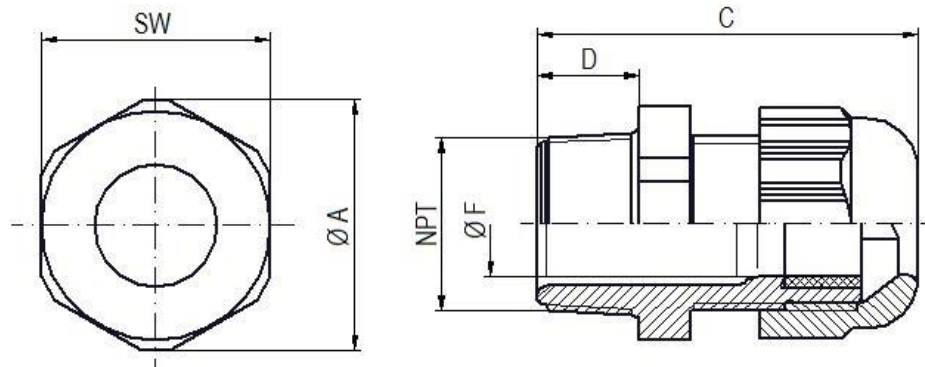
DIN EN 62444

For more information please see our current catalogue. Please do not hesitate to contact our laboratory if there are any questions regarding resistance against aggressive agents and special oil.

Creator: MAAU1/PDP Released: DAMU1/PDP	Document: DB53016010EN Version: 07	Page 1 of 2
-------------------------------------------	---------------------------------------	-------------

5301 6010	<b>DATA SHEET</b>	
Valid from: 23.11.2021	<b>SKINTOP® ST NPT / STR NPT</b>	

**Technical drawing:**



**Dimension table:**

**SKINTOP® ST NPT**

NPT	SW [mm]	Ø A [mm]	C [mm]		D [mm]	Ø F [mm] Clamping range	Article No.	
			min.	max.			RAL 7001	RAL 9005
NPT 3/8"	19	21,1	35,5	43,0	15	3,5 - 8	53016010	53016210
NPT 1/2"	24	26,5	38,0	47,0	15	5 - 12	53016030	53016230
NPT 3/4"	33	36,2	43,5	53,0	15	13 - 18	53016050	53016250
NPT 1"	42	46,3	48,0	60,0	15	14 - 25	53016060	53016260

**SKINTOP® STR NPT**

NPT	SW [mm]	Ø A [mm]	C [mm]		D [mm]	Ø F [mm] Clamping range	Article No.	
			min.	max.			RAL 7001	RAL 9005
NPT 3/8"	19	21,1	35,5	43,0	15	2 - 6	53016110	53016310
NPT 1/2"	24	26,5	38,0	47,0	15	4 - 9	53016130	53016330
NPT 3/4"	33	36,2	43,5	53,0	15	9 - 16	53016150	53016350

For more information please see our current catalogue. Please do not hesitate to contact our laboratory if there are any questions regarding resistance against aggressive agents and special oil.

Creator: MAU1/PDP Released: DAMU1/PDP	Document: DB53016010EN Version: 07	Page 2 of 2
------------------------------------------	---------------------------------------	-------------