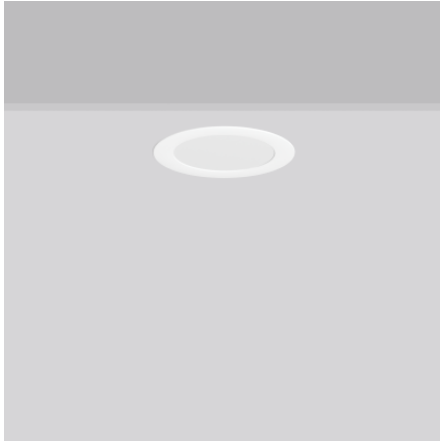


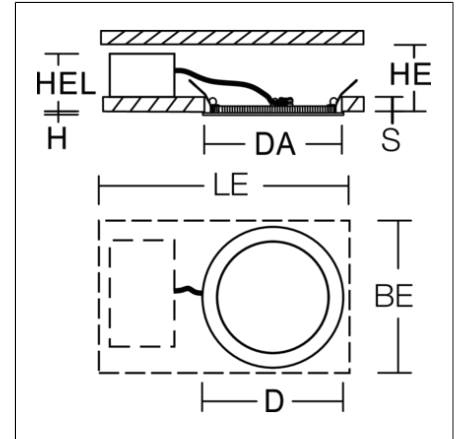
TOLEDO FLAT round

672222.002.1 | Combined luminaires for escape route illumination



Recessed downlights
4051859174936
D 190, H 2

Recessed ceiling mounting
white



Ultra thin recessed downlight. For escape route illumination. Housing: die-cast aluminium, powder-coated. Lightguide and diffuser made of non-yellowing plastic (PMMA). Diffuser opal matt plastic. Ceiling installation with spring system. Including separate LED converter with connecting cable 250 mm. Self-contained system with automatic self-test. External driver with simple plug-in locking system.

Product specifications

Typ of emergency lighting	Self-contained system
Monitoring	Autotest
Battery	NiMh
Duration	3 h
Operating mode	maintained power mode
Diameter D	190 mm
Height H	2 mm
Cut-out diameter DA	170 mm
Installation space height HE	120 mm
Luminaire: recess height HEL	60-80 mm
Ceiling thickness S	1-20 mm
Weight	1.4 kg
Light source	LED
Colour temperature	4000 K
Rated luminous flux, mains operation	840 lm
System power, mains operation	7,7 W
Rated luminous flux, emergency operation	370 lm
System efficiency	109 lm/W
Glare evaluation UGR (4H 8H)	26,6
Beam angle	111°
Colour rendering index (CRI)	80
Photobiological safety according to EN 62471	Risk group 0
Driver	Converter
Control	on/off
Voltage	220 - 240 V / 50 - 60 Hz
Luminaires on B10A fuse	53
Luminaires on B16A fuse	85
Luminaires on C10A fuse	89
Luminaires on C16A fuse	143
Inrush current / Inrush current duration	30 A / 180 µs
CIE Flux Code / CEN Flux Code	47 79 96 100 100
Type of protection	IP 54 on room side IP 20
Protection class	I
Impact resistance	IK03
Ambient temperature for maintained power	0 °C ... + 35 °C
Ambient temperature for non-maintained power mode	0 °C ... + 35 °C
Conformity mark	CE, EAC