

SDS 1 (923 110)

- Electrical isolation of insulated track sections and earthed parts of installations
- Safe equipotential bonding due to high-current-resistant welding of the electrodes in case of a short-circuit or earth fault at the overhead contact line
- Discharge of surges without short-circuit formation



Figure without obligation

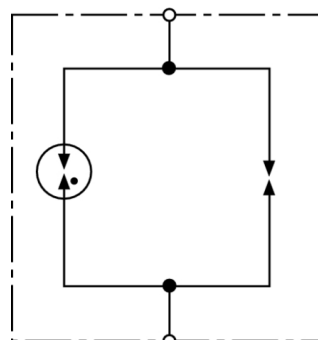


Figure without obligation

Basic circuit diagram SDS 1

Voltage-limiting device for a power-frequency sparkover voltage of ≤ 940 V.

Type	SDS 1
Part No.	923 110
VLD type (EN 50122-1)	VLD-F
Power frequency sparkover voltage (U_{aw})	≤ 940 V
d.c. sparkover voltage (U_{ag})	700 V -14 % ... +28 %
Impulse sparkover voltage	≤ 1400 V (1 kV/ μ s)
Self-extinguishing capability	300 A / 65 V
Lightning current discharge capacity (10/350 μ s) 0.1x / 0.5x / 1x	5 kA
Lightning current withstand capability (10/350 μ s)	100 kA
Safe short-circuit due to welding of the electrodes in case of alternating currents	≥ 2.5 kA / 1000 V / 30 ms, ≥ 1.5 kA / 1000 V / 100 ms
Safe short-circuit due to welding of the electrodes in case of direct currents	≥ 750 A / 250 ms
Short-circuit withstand capability	25 kA _{rms} / 100 ms; 36 kA _{rms} / 75 ms
Long-term current	1 kA _{rms} for $t \leq 120$ s
Leakage current (I_c)	< 1 μ A for 100 V d.c.
Operating temperature range (T_U)	-40 °C ... +80 °C
To be mounted with	mast adapter MA SDS M12 or SIEMENS No. 8WL6503-xx
Approvals	EBA
DB drawing No.	4 Ebs 15.13.20 Sheet 2
Weight	46 g
Customs tariff number	85369095
GTIN	4013364092426
PU	10 Stk

We reserve the right to introduce changes in performance, configuration and technology, dimensions, weights and materials in the course of technical progress. The figures are shown without obligation.