

WD M10 12 V4A DWD L300 400 STTZN (478 540)

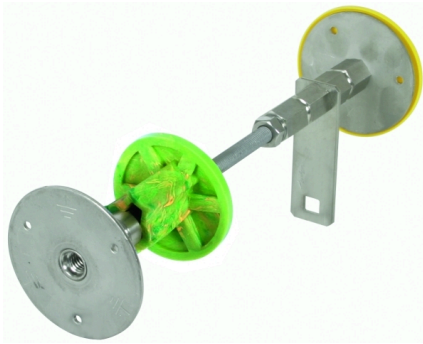
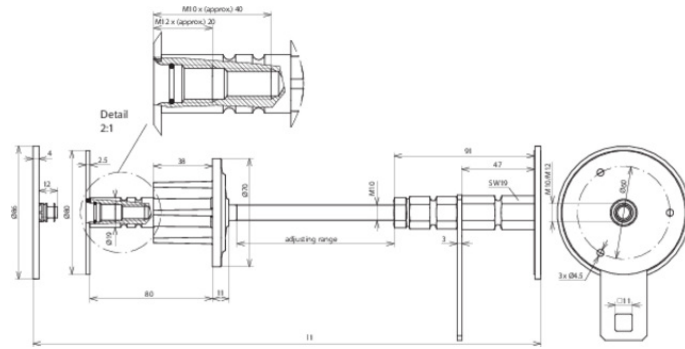


Figure without obligation



Type	WD M10 12 V4A DWD L300 400 STTZN
Part No.	478 540
Material of plate	StSt (V4A)
Material No.	1.4571 / 1.4404 / 1.4401
Material of axis	St/tZn
Wall thickness (I1)	300-400 mm
Connection thread	M10 / 12
Connection plate Ø	80 mm
Pressure-water test	1 bar
Material of water barrier	PVC
Short-circuit current (a.c. 50 Hz / d.c.) (1 s; ≤ 300 °C)	4.1 kA
Standard	EN 62561-(1+5)
Weight	750 g
Customs tariff number	85389099
GTIN	4013364120358
PU	4 Stk

We reserve the right to introduce changes in performance, configuration and technology, dimensions, weights and materials in the course of technical progress. The figures are shown without obligation.