


22260602	DATA SHEET	
Valid from: 18.09.2018	AB-C5-M12Y-2XM12FS V	

Description

- M12 Y-distributor
- Straight plug on 2x straight jack



General characteristics

Coding	A-standard
Number of pins-plug	5
Number of pins-jack	5
Ambient temperature	-25 to +90 °C (-13°F to 194°F) (plug / jack)
Degree of protection	IP 65 / IP 67
Tightening torque	0.4 Nm (M12-connector)
Middle distance	18 mm

Electrical properties

Rated voltage	60 V
Rated current at 40 °C	4 A
Overvoltage category	II
Pollution degree	3

Mechanical properties

Inflammability class according to UL 94	HB
Contact	CuZn
Contact surface	Ni / Au
Contact carrier	TPU GF
Knurl	Zinc diecasting, nickel-plated
Handle	TPU, flame retardant, self-extinguishing
Seal	NBR

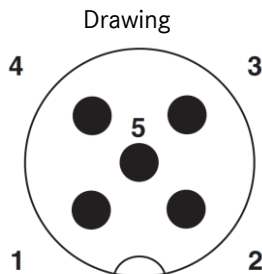
Standards / Approvals

Product standard, M12 connector	IEC 61076-2-101
---------------------------------	-----------------

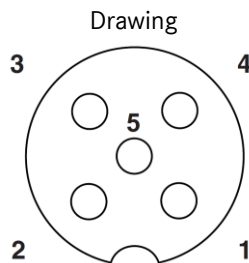
Creator: ERTC1/PDP Released: IVSE1/PDP	Document: DB22260602EN Version: 04	Page 1 of 2
---	---------------------------------------	-------------

22260602	DATA SHEET	
Valid from: 18.09.2018	AB-C5-M12Y-2XM12FS V	

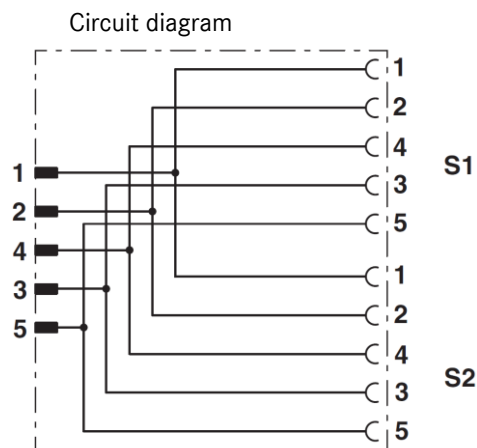
Technical drawing



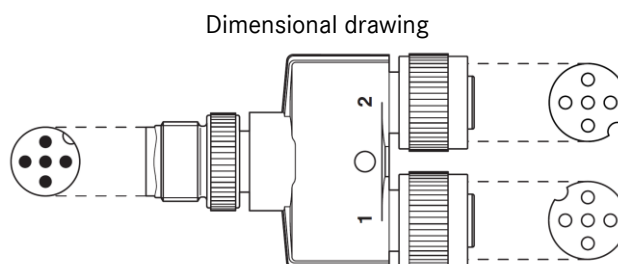
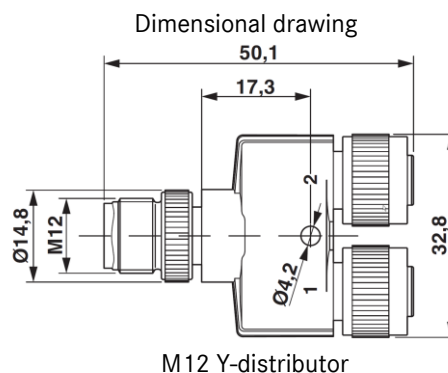
Pin assignment M12-plug,
5 pol, A-coding



Pin assignment M12-jack,
5 pol, A-coding



Pin assignment M12 Y-distributor



Pin assignment orientation

Application range

Automation, industrial machinery and plant engineering

Note

Photographs are not true to scale and do not represent detailed images of the respective products.

Creator: ERTC1/PDP Released: IVSE1/PDP	Document: DB22260602EN Version: 04	Page 2 of 2
---	---------------------------------------	-------------