

Product End of Life Instructions

PowerPact™ L-Frame Molded Case Circuit Breaker with Micrologic™ Trip Unit



⚠ Potential disassembly risks

⚠ DANGER

HAZARD OF ELECTRIC SHOCK, EXPLOSION OR ARC FLASH

- Apply appropriate personal protective equipment (PPE) and follow safe electrical work practices. See NFPA 70E.
- This equipment must be removed from service only by qualified electrical personnel.
- Turn off all power supplying this equipment before working on or inside equipment.
- Always use a properly rated voltage sensing device to confirm power is off.
- Replace all devices, doors and covers before turning on power to this equipment.

Failure to follow these instructions will result in death or serious injury.

⚠ CAUTION

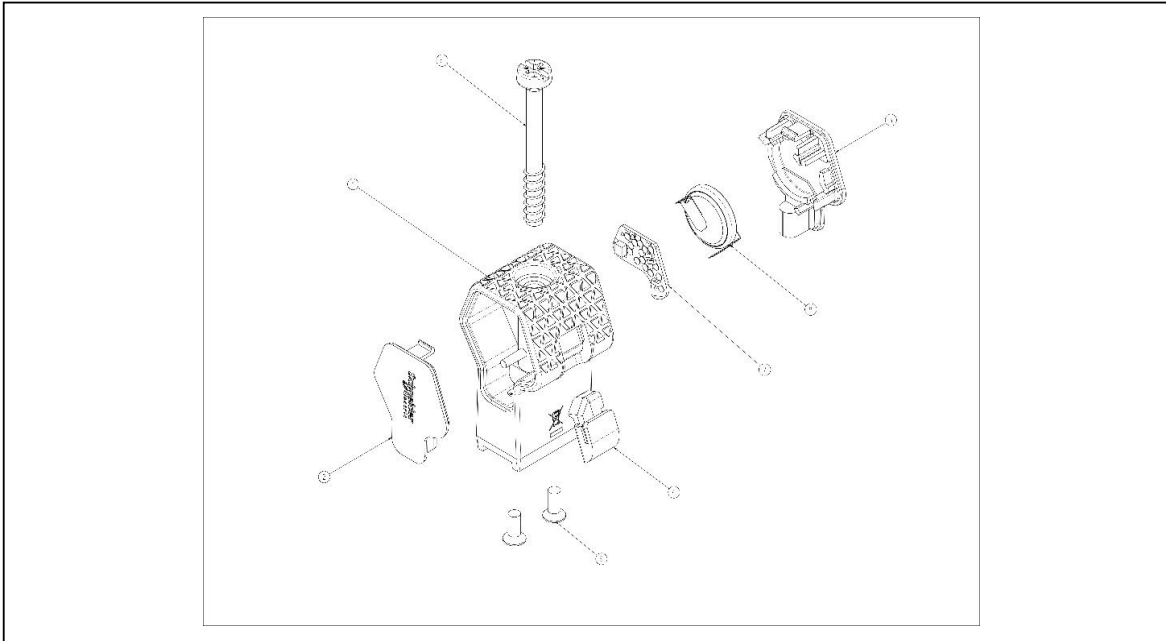
HAZARD OF PERSONAL INJURY

The circuit breaker must be tripped to dissipate stored mechanical energy before recycling, crushing or disassembly of the circuit breaker.

Failure to follow these instructions can result in personal injury.

There are several steps to process the products at the end of life so as to recover components, materials or energy :
 Reuse → Separation for special treatment → Other dismantling → Shredding

🔧 End of Life Instructions



Recommendation	Number on drawing	Component / Material	Weight (in g)	Comment
To be dismantled	7	Electronic Board (Communication) > 10cm²	43.49	Electronic Card
To be dismantled	8	Battery	2	



Product description

Manufacturer identification	Schneider Electric United States
Brand name	SQUARE D
Product function	The main purpose of the PowerPact™ L-Frame Molded Case Circuit Breaker with Micrologic™ Trip Unit is to protect electrical systems from damages caused by overloads and short circuits.
Product reference	LLL36600U31X
Total representative product mass	6950 g
Representative product dimensions	340mm x 140mm x 110mm
Accessories	No
Date of information release	07/2022



Additional information

Legal information	This product family is in the scope of European Union directive 2012/19/EU on Waste Electrical and Electronic Equipment (WEEE). The product family must be disposed according to the legislation of the country. This document is intended for use by end of life recyclers or treatment facilities. It provides the basic information to assure an appropriate end of life treatment for the components and materials of the product.	
In case of special transportation: transportation method	No	
Recyclability potential	70%	Based on "ECO'DEEE recyclability and recoverability calculation method" (version V1, 20 Sep. 2008 presented to the French Agency for Environment and Energy Management: ADEME).

Schneider Electric United States

Country Customer Care Center

<https://www.se.com/us/en/work/support/contacts.jsp>

+1 8773425173

North American Division, Boston One Campus

800 Federal Street

MA 01810, Andover, USA

www.se.com

ENVEOLI2206029_V1

Published by Schneider Electric

© 2019 - Schneider Electric – All rights reserved

07/2022