

DLH KB 6.10 TD B8.5 V2A (223 020)

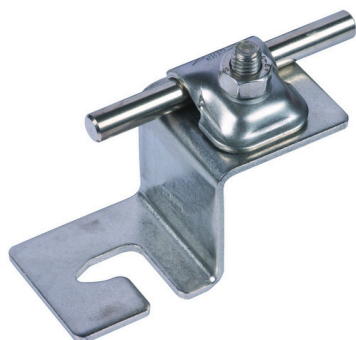
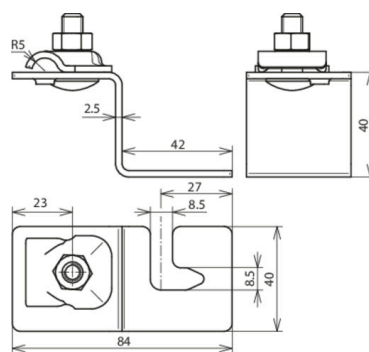


Figure without obligation



Type	DLH KB 6.10 TD B8.5 V2A
Part No.	223 020
Material of roof conductor holder	StSt
Material thickness (t1)	2.5 mm
Type of conductor holder	clamping piece
Material of conductor holder	StSt
Conductor support Rd	6-10 mm
Conductor routing	fixed
Fixing possibility	for clamping at the screw head
Weight	121 g
Customs tariff number	85389099
GTIN	4013364092792
PU	50 Stk

We reserve the right to introduce changes in performance, configuration and technology, dimensions, weights and materials in the course of technical progress. The figures are shown without obligation.