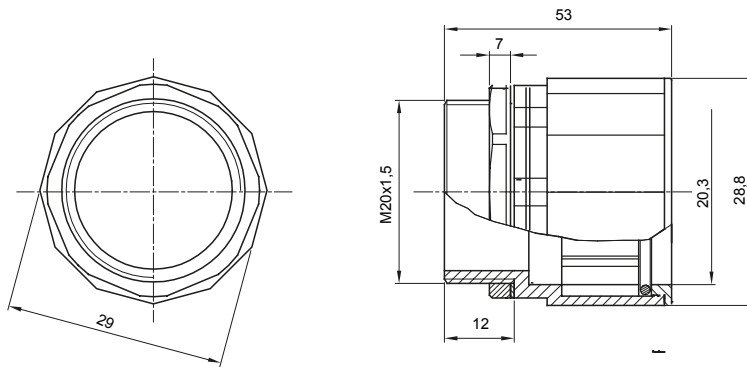




Routing components for rigid protective conduits with IP40 and IP67 protection degree.

| | | | |
|-----------------|---------------|------------------|--|
| Colour | Grey RAL 7035 | IP degree | IP67 |
| ISO pitch | M 20x1.5 | For holes Ø (mm) | 20 |
| Conduits Ø (mm) | 20 | Type of material | Halogen-free in compliance with EN 60754-2 |
| Electrocod | 21221 | | |

DIMENSIONAL



TECHNICAL SYMBOLOGY

IP

HF
HALOGEN FREE

IP67

STANDARDS/APPROVALS

