

Intellia I.S. Heat Detector 55000-440APO

Instruction Sheet
R10089GB0



Schneider Electric Fire & Security Oy

Sokerilinnantie 11 C
FI-02600 Espoo, Finland
Tel: +358 10 446 511
Website: www.schneider-electric.com
Document number: R10089GB0
Published: 29.04.2019

© 2018 – Schneider Electric. All Rights Reserved. This information is only to be used as guidance. Subject to changes and errors.

Contents

1	Intellia I.S. Heat Detectors 55000-440APO	4
1.1	Intellia Intrinsically Safe Fire Detectors	4
1.2	Safety Note	4
1.3	Intellia I.S. Base 45681-215APO (55000-215 APO)	5
1.4	Product Codes	5
1.5	Schematic Diagram & Wiring Connections	6

1 Intellia I.S. Heat Detectors 55000-440APO

The Intellia I.S heat detector is distinguishable from Intellia I.S smoke detectors by its low air-flow resistance case which allows good contact between the sensing thermistor and the surrounding air.

The device monitors temperature by using a single thermistor network which provides a voltage output proportional to the external air temperature. The voltage signal is processed and transmitted to the control equipment in the same way as in the case of the ionisation smoke detector.

1.1 Intellia Intrinsically Safe Fire Detectors

The Intellia I.S. range comprises addressable ionisation and optical smoke detectors, a temperature detector, a detector base and a compatible manual call point. There is also a choice of two translators which ensure integrity of communication between detectors and control equipment within the constraints of an intrinsically safe system.

The Intellia range intrinsically safe fire detectors and call points have been approved by BASEEFA. The approvals are to BS EN 60079-0:2004, BS EN 50284:1999, BS EN 50020:2002 and BS EN 60079-26:2004. All types are certified to EEx ia IIC T5 at ambient temperatures up to 40 °C, or T4 at ambient temperatures up to 60 °C.

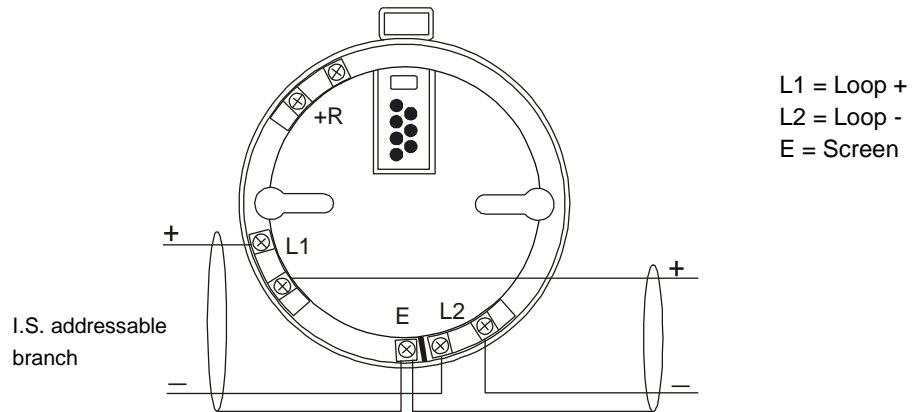
1.2 Safety Note

The detectors, independently tested by the National Radiological Protection Board (NRPB), conform to all the requirements specified in the 'Recommendations for ionisation smoke detectors in implementation of radiation standards' published by the Nuclear Energy Agency of the Organisation for Economic Co-operation and Development (OECD) 1977.

At the end of their recommended working life of ten years, ionisation smoke detectors should be returned to Schneider Electric for safe disposal or disposed of in an otherwise locally approved and environmentally safe manner.

1.3 Intellia I.S. Base 45681-215APO (55000-215 APO)

The base for the intrinsically safe range is not identical with that for the standard range. This ensures that standard detectors cannot inadvertently be fitted to an intrinsically safe system.



1.4 Product Codes

Product Description	Product code
Intellia I.S.Heat Detectors 55000-440 APO	FFS0672 5257
Intellia I.S. Base 45681-215APO	FFS0672 5207

1.5 Schematic Diagram & Wiring Connections

