

Product Data Sheet

GW10291AB

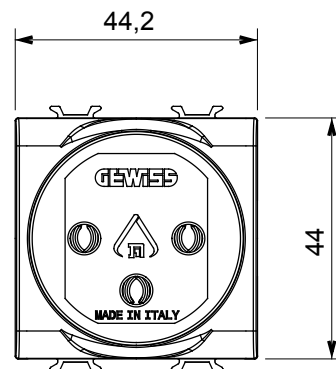
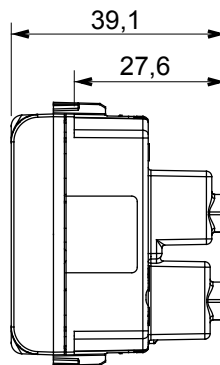
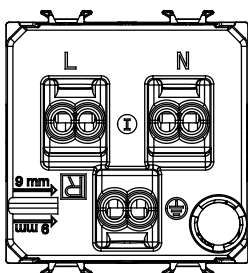
CHORUSMART - Domestic range



A range of ChoruSmart modular devices and plates made of antibacterial technopolymer in a glossy white finish, suitable for use in hospitals, nursing homes, schools and wherever cleanness and hygiene are essential. The effective silver-ion antibacterial treatment can reduce bacterial growth by 99% within 24 hours and has been verified by certified laboratory testing in accordance with standard ISO 22196 (analysis of major strains of Staphylococcus aureus and E. coli bacterial species).

| | | | |
|---|--------------------------------|--|-------------------------|
| Category | Socket-outlet | Description | 2P+E - 16 A illuminable |
| Colour | Red | Type | For allocated lines |
| Voltage | 250 V ac | Standard | Israeli |
| Characteristics | With safety shields | For plug pins | Round Ø 4 / 4.4 mm |
| Wiring terminals | With screw | Standard | IEC 60884-1 |
| Resistance at test voltage | 2000 V at 50 Hz for 1 minute | Insulation resistance | > 5 MOhm |
| Prolonged operation socket (no.of position changes) | 10.000 at In 250 V ac cosØ=0,8 | Thermo-pressure with ball | 125 °C |
| Glow Wire Test | 850 °C | Terminal grip on cable traction | > 50 N |
| Terminal tightening capacity stranded cables (mm ²) | min. 0,75 - max. 2x4 | Terminal tightening capacity solid cables (mm ²) | min. 0,5 - max. 2x2,5 |
| No. modules | 2 | Electrocod | 0131 |
| Material | Antibacterial tecnopolymer | | |

DIMENSIONAL



TECHNICAL SYMBOLOGY



STANDARDS/APPROVALS

