

**UTK 8.10 FL30 ZP V2A (459 139)**

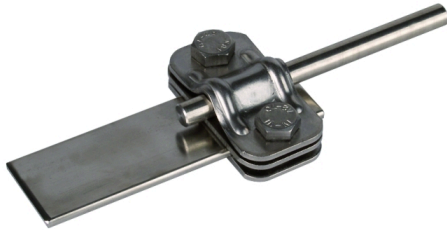
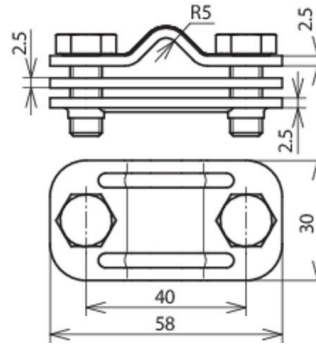


Figure without obligation



Arrangement:



Type	UTK 8.10 FL30 ZP V2A
Part No.	459 139
Material	StSt
Clamping range Rd / FI	8-10 / 30 mm
Screw	☛ M8 x 20 mm
Material of screw	StSt
Distance between screws	40 mm
Material thickness (t1)	2.5 mm
Lightning current carrying capability (10/350 µs)	☛ 100 kA / ☛ 50 kA *)
Standard	EN 62561-1
Weight	122 g
Customs tariff number	85389099
GTIN	4013364078628
PU	50 Stk

\*) For exact classification, see test certificate.

We reserve the right to introduce changes in performance, configuration and technology, dimensions, weights and materials in the course of technical progress. The figures are shown without obligation.