

40 CD

GEWISS

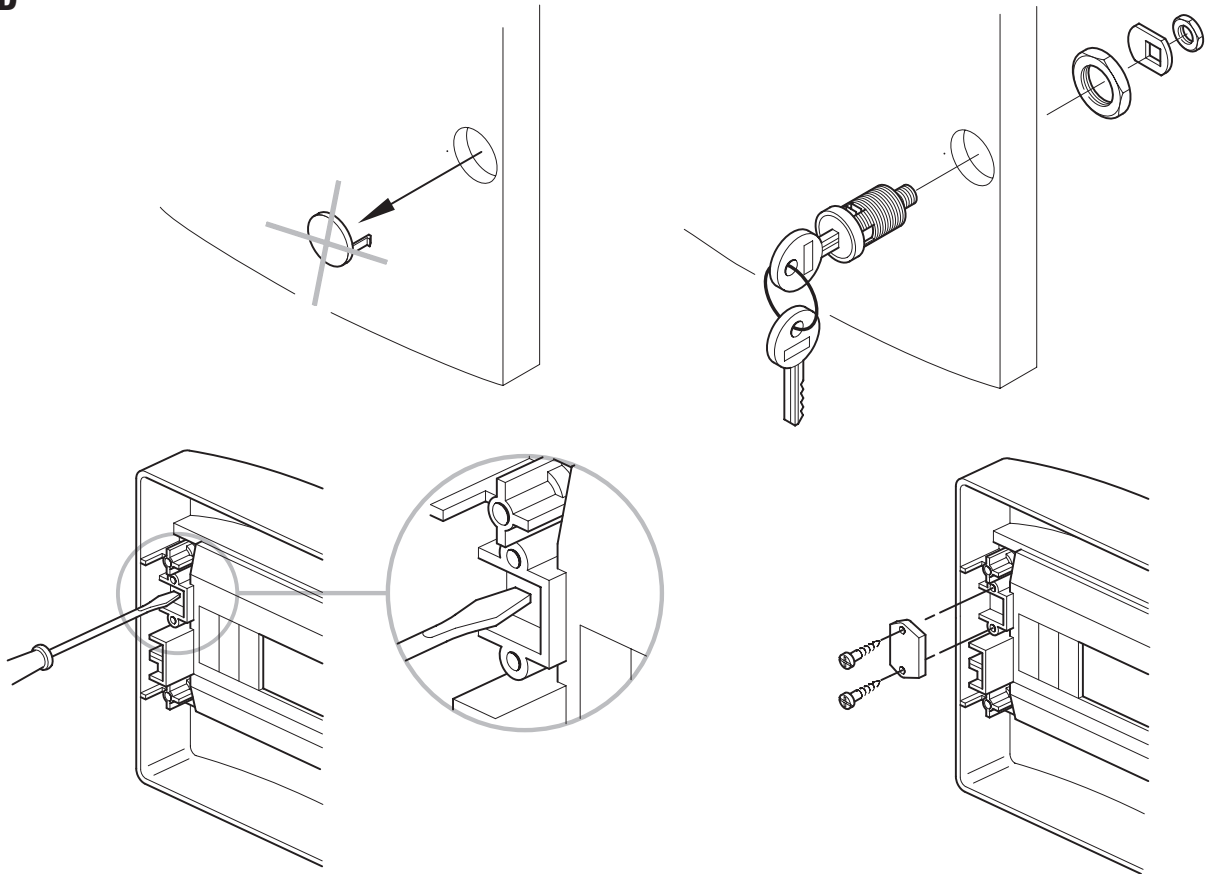


GW 40 422



40 CD

1

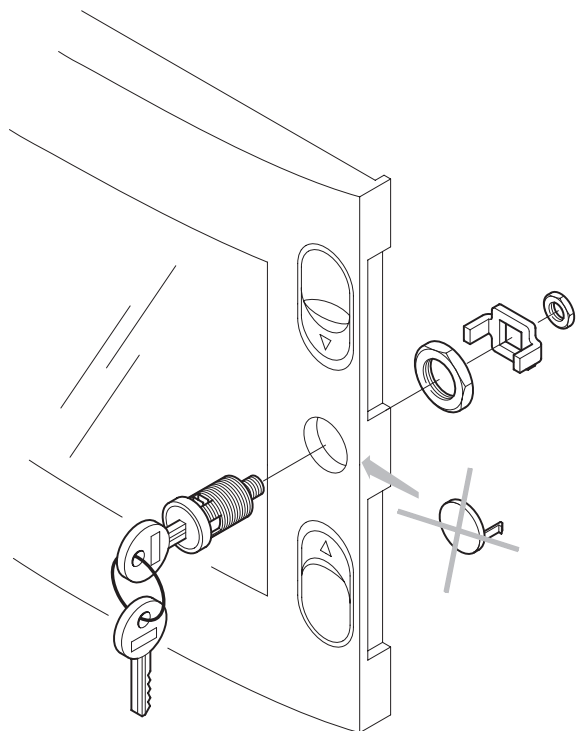
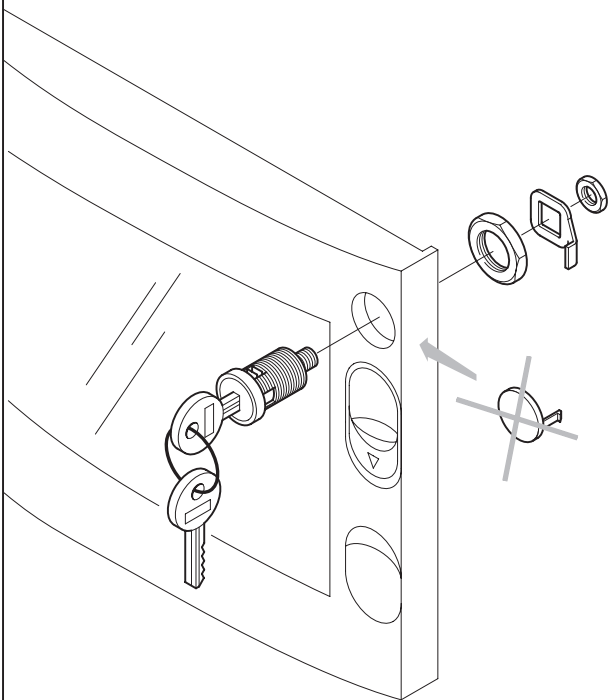


40 CDK IP40

2

40 CDK IP40 - CDK IP65

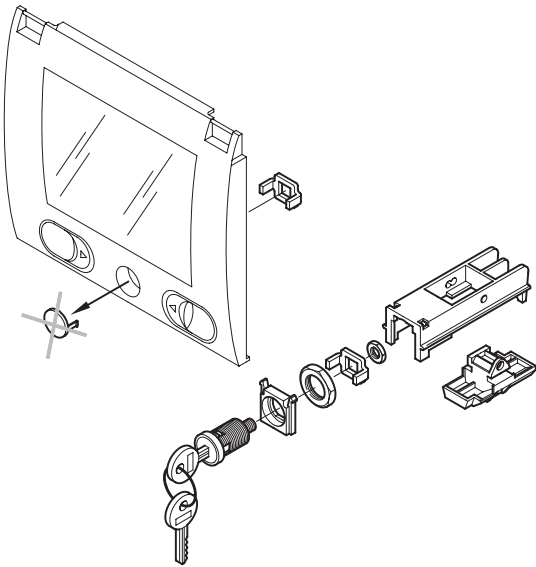
3





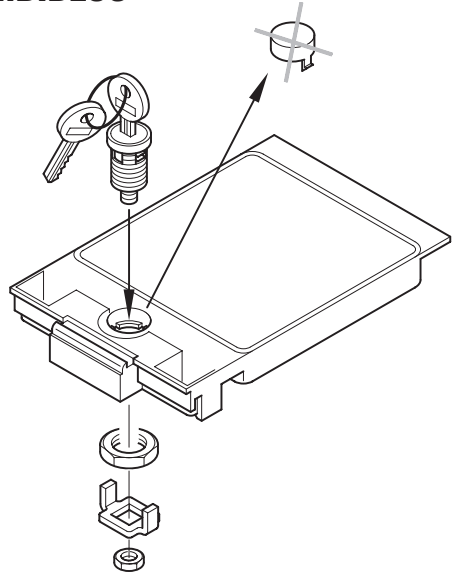
Q-BOX

4



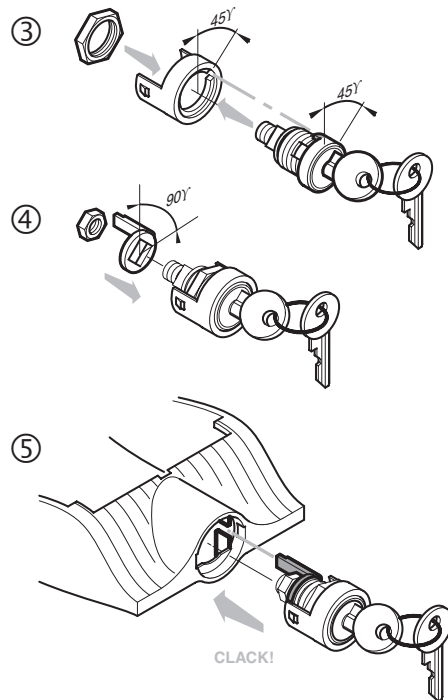
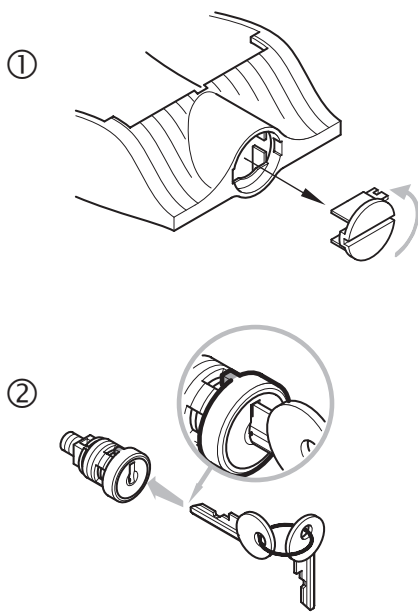
66 COMBIBLOC

5



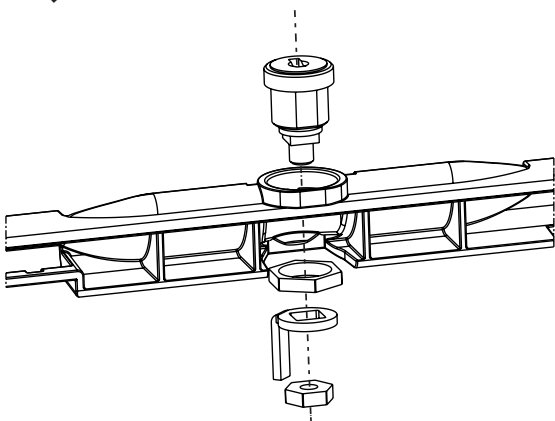
66 COMBIBLOC

6



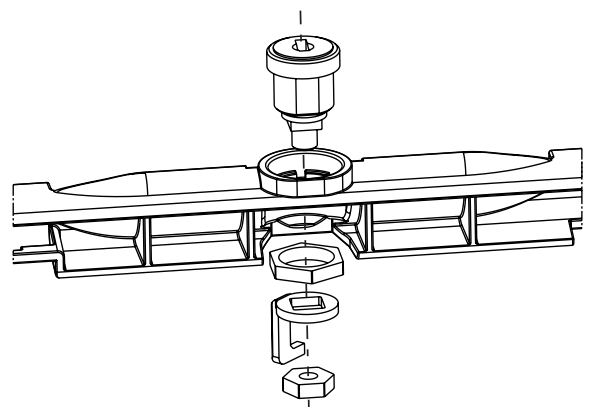
68N QDIN 10 - 14M

7



68N QDIN 20M

8





40 CD	1 40 CDK IP40	2 40 CDK IP65 CDK IP40	3 Q-BOX	4	5 66 COMBIBLOC	6 66 COMBIBLOC	7 68N QDIN 10-14M	8 68N QDIN 20M
GW 40 043	GW 40 602	GW 40 101	GW 68 465	GW 66 491	GW 66 445	GW 66 401	GW 68 002N	GW 68 012N
GW 40 045	GW 40 603	GW 40 102	GW 68 466	GW 66 492	GW 66 446	GW 66 402	GW 68 003N	GW 68 013N
GW 40 047	GW 40 604	GW 40 103	GW 68 471	GW 66 493	GW 66 447	GW 66 403	GW 68 004N	GW 68 014N
GW 40 049	GW 40 882	GW 40 104	GW 68 472		GW 66 448	GW 66 404	GW 68 005N	GW 68 015N
GW 40 051	GW 40 883	GW 40 106	GW 68 473		GW 66 449	GW 66 405	GW 68 006N	GW 68 021N
GW 40 053	GW 40 884	GW 40 107	GW 68 474		GW 66 450	GW 66 406	GW 68 007N	GW 68 022N
GW 40 233TB	GW 40 885	GW 40 108	GW 68 481		GW 66 451	GW 66 407	GW 68 008N	GW 68 024N
GW 40 233TN	GW 40 888	GW 40 109	GW 68 482		GW 66 452	GW 66 408	GW 68 009N	GW 68 208N
GW 40 233VA		GW 40 113	GW 68 483		GW 66 453	GW 66 409	GW 68 010N	GW 68 421N
GW 40 233VT		GW 40 114	GW 68 484		GW 66 456	GW 66 412	GW 68 019N	GW 68 424N
GW 40 239TB		GW 40 115	GW 68 491		GW 66 457	GW 66 413	GW 68 023N	
GW 40 239TN		GW 40 123	GW 68 492		GW 66 458	GW 66 414	GW 68 025N	
GW 40 239VA		GW 40 124	GW 68 493		GW 66 459	GW 66 415	GW 68 202N	
GW 40 239VT		GW 40 125	GW 68 494		GW 66 460	GW 66 416	GW 68 203N	
GW 40 531		GW 40 605	GW 68 495		GW 66 461	GW 66 417	GW 68 204N	
GW 40 532		GW 40 606	GW 68 496		GW 66 462	GW 66 418	GW 68 205N	
GW 40 533		GW 40 608	GW 68 497		GW 66 463	GW 66 419	GW 68 206N	
GW 40 534		GW 40 609	GW 68 511		GW 66 464	GW 66 420	GW 68 207N	
GW 40 536		GW 40 610	GW 68 512		GW 66 467	GW 66 423	GW 68 216N	
GW 40 537		GW 40 611	GW 68 513		GW 66 468	GW 66 424	GW 68 228N	
GW 40 538		GW 40 886	GW 68 514		GW 66 469	GW 66 425	GW 68 229N	
GW 40 539		GW 40 889			GW 66 470	GW 66 426	GW 68 230N	
GW 40 541		GW 40 890			GW 66 471	GW 66 427	GW 68 231N	
GW 40 542		GW 40 891			GW 66 472	GW 66 428	GW 68 401N	
					GW 66 473	GW 66 429	GW 68 411N	
					GW 66 474	GW 66 430		
					GW 66 475	GW 66 431		
					GW 66 478	GW 66 434		
					GW 66 479	GW 66 435		
					GW 66 480	GW 66 436		
					GW 66 481	GW 66 437		
					GW 66 482	GW 66 438		
					GW 66 483	GW 66 439		
					GW 66 484	GW 66 440		
					GW 66 485	GW 66 441		
					GW 66 486	GW 66 442		

Ai sensi dell'articolo 9 comma 2 della Direttiva Europea 2004/108/CE e dell'articolo R2 comma 6 della Decisione 768/2008/CE si informa che responsabile dell'immissione del prodotto sul mercato Comunitario è:
 According to article 9 paragraph 2 of the European Directive 2004/108/EC and to article R2 paragraph 6 of the Decision 768/2008/EC, the responsible for placing the apparatus on the Community market is:
GEWISS S.p.A Via A. Volta, 1 - 24069 Cenate Sotto (BG) Italy Tel: +39 035 946 111 Fax: +39 035 945 270 E-mail: qualitymarks@gewiss.com

	 <p>+39 035 946 111 8.30 - 12.30 / 14.00 - 18.00 lunedì + venerdì - monday + friday</p>	 <p>+39 035 946 260</p>	 <p>sat@gewiss.com www.gewiss.com</p>
--	---	---	---