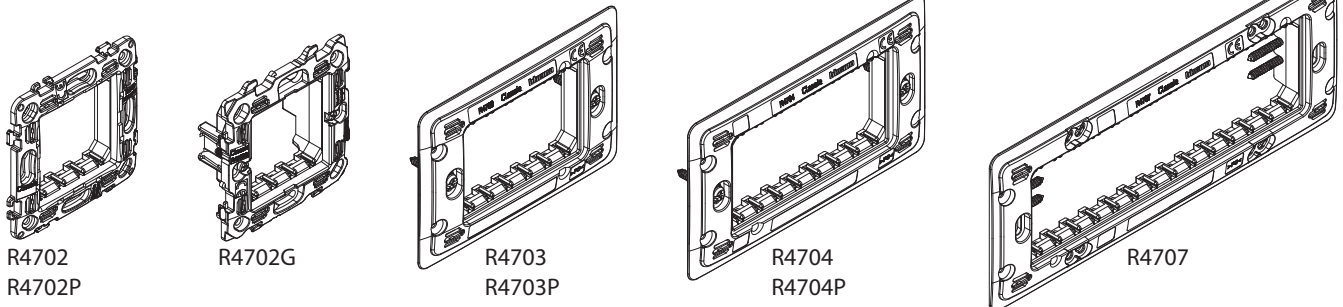


Classia
Supporting frames

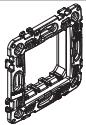
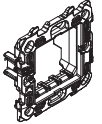
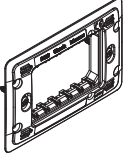
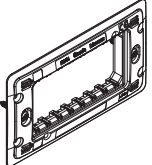
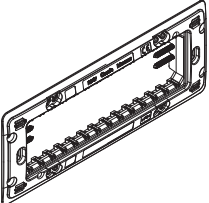
R4702 - R4702P - R4702G
R4703 - R4703P
R4704 - R4704P
R4707



Use

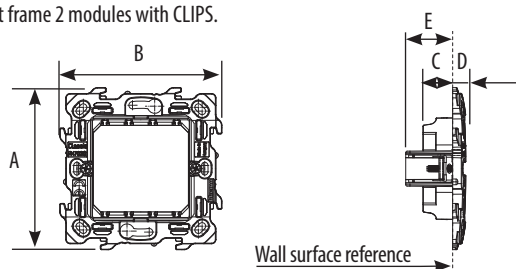
Supporting frames for mounting Classia mechanisms.

Range

Supports for flush-mounting	Frame modules	Item
	2	R4702 R4702P
	2	R4702G
	3	R4703 R4703P
	4	R4704 R4704P
	7	R4707

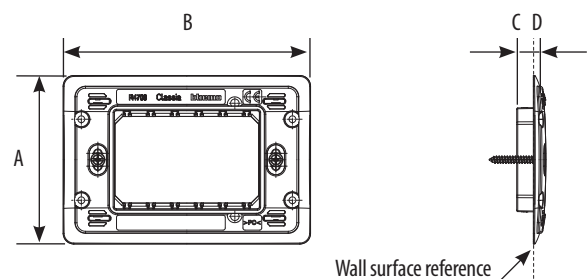
Overall dimensions (mm)

Support frame 2 modules with CLIPS.



Overall dimensions (mm) (continued)

Support frame 2/3/4/7 modules.



	A	B	C	D	E
R4702.	75	75	8.6	5.5	
R4702G	76	76	14	6.2	22
R4703.	79	116	8	6	
R4704.	79	138.4	8	6	
R4707	79	202	13.3	6	

Mounting

The supporting frames are screwed to flush mounting boxes.

Technical characteristics

- **Mechanical characteristics**
Impact test: IK 04
- **Material characteristics**
R4702.: stainless steel and polycarbonate glass fiber filled All the other supports polycarbonate
Halogen free.
UV resistant.
Self-extinguishing: 650° C / 30 s
- **Climatic characteristics**
Storage temperature: - 10° C to + 70° C
Use temperature: - 5° C to + 35° C

Cleaning

Clean the surface with a cloth.
Do not use acetone, tar-removing cleaning agents or trichloroethylene.
Caution: Always test before using special cleaning products.

Standards and approvals

Compliance with standards IEC/EN 60669-1
Refer to e.catalogue.