

DLH DG 8 SF0.7 8 V2A (223 031)

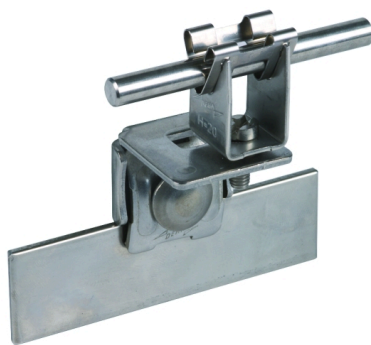
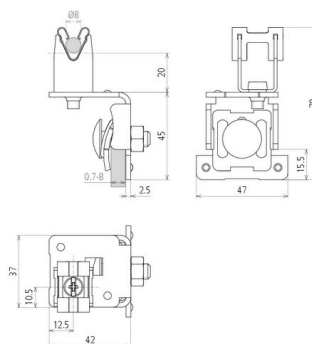


Figure without obligation



Type	DLH DG 8 SF0.7 8 V2A
Part No.	223 031
Material of roof conductor holder	StSt
Material thickness (t1)	2.5 mm
Clamping range	0.7-8 mm
Type of conductor holder	DEHNgrip
Height of conductor holder	20 mm
Material of conductor holder	StSt
Conductor support Rd	8 mm
Conductor routing	loose
Screw	⬆ M8 x 25 mm
Material screw / nut	StSt
Standard	EN 62561-4
Weight	117 g
Customs tariff number	85389099
GTIN	4013364092815
PU	50 Stk

We reserve the right to introduce changes in performance, configuration and technology, dimensions, weights and materials in the course of technical progress. The figures are shown without obligation.