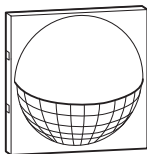


ARGUS 180/2.20 m sensor module, flush-mounted

Operating instructions



Art.-no. MTN5687., MTN5688..

For your safety



DANGER

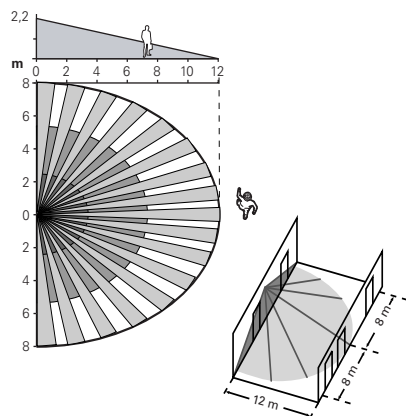
Risk of fatal injury from electrical current.

All work on the device should only be carried out by qualified electricians. The country-specific regulations must be followed.

ARGUS 180/2,20 m sensor module, flush-mounted introduction

The ARGUS 180/2,20 m flush-mounted sensor module (referred to below as **ARGUS**) is a flush-mounted movement detector for indoor installation. It detects movements and then switches on a load e.g. a light source (incandescent lamp, halogen lamp). The ARGUS is rounded off by the electronic switch insert (Art.-no. MTN576799) or the relay switch insert (Art.-no. MTN576897) and a System M frame. The ARGUS is designed for installation at a height of 2.20 m. Its angle of detection is 180°, with an adjustable range of 2.5 – 8 m to the right and left, and 2.5 – 12 m to the front. The beam path is angled slightly downwards (Figure 1).

Figure 1:



A mounting height of 1.1 m is also possible, although the range is then halved. The ARGUS is equipped with anti-crawl protection. Movements directly beneath the device are therefore also detected. Three operating elements on the rear side of the ARGUS can be used to set the switching duration, the detection brightness and the sensitivity.

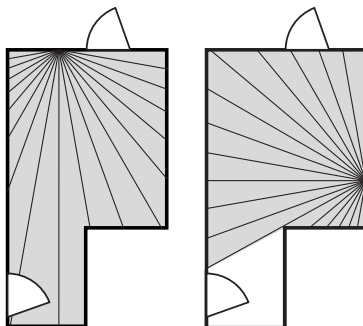
Things to observe before installation

Please note the following prior to installation:

- The mounting height of 2.20 m is directly linked to the range. Any mounting height which deviates from this will affect the range.

- The ARGUS should be installed on firm ground, since any movement can switch the ARGUS on.
- In order to avoid switching the ARGUS on unnecessarily, you should not mount any lights within the area of detection. The ARGUS should not be mounted above a light either.
- In order to achieve the best possible movement detection, the ARGUS should be mounted as laterally as possible to the direction of movement:

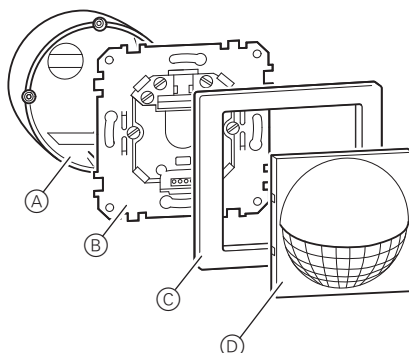
Figure 2:



- No impediments such as fireplaces or open windows should be positioned within the area of detection of the ARGUS. This may cause the ARGUS to switch on unnecessarily.
- In order to ensure continuous monitoring, e.g. of a long corridor, the areas of detection of the individual movement detectors should intersect.

ARGUS installation

Figure 3:



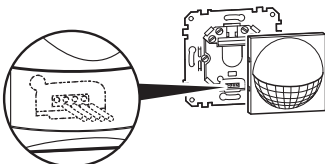
- 1 Wire and install the electronics or relay switch insert (B) in the switch box (A) as described in the instructions for the inserts. The quadruple pin strip must be at the bottom.
- 2 Push ARGUS (D) onto the frame (C).



CAUTION

Damage to the device

The contact pins on the rear of the ARGUS can become bent if tilted excessively. Therefore always insert the ARGUS as straight as possible (Figure 4).

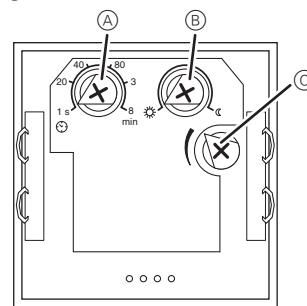


- 3 Insert the ARGUS (D) with the frame (C) onto the switch insert (B) in such a way that the quadruple pin strip holds the contact pins.

Setting ARGUS

The ARGUS has three setting options on the rear side.

Figure 5:



A Setting the switching duration:

Here you can set the switching duration of the light switched by detection of movement. Six setting options (1 s, 20 s, 40 s, 3 min, 8 min) are available. When the light is switched on, the switching duration is re-started with each additional detected movement.

B Setting the detection brightness:

Here you include the ambient brightness as the switch-on factor when a movement is detected. The ARGUS has an integrated, adjustable twilight sensor for this purpose.

Left stop (sun symbol / approx. 1000 lux): Day and night operation. The ARGUS switches on the connected lights each time a movement is detected, regardless of the level of brightness outside.

Right stop (moon symbol / approx. 5 lux): Night operation. When movement is detected, the ARGUS only switches on the connected light when it is dark.

C Setting the sensitivity:

Here you can set the range within which you wish the ARGUS to detect movements. Low sensitivity: approx. 2.5 m (left stop). Maximum sensitivity: approx. 8 m to the right and left, and 12 m to the front (right stop)



Whenever the power supply has failed and been re-established, the connected load switches on for the duration of the selected switching time.

Putting ARGUS into operation

The ARGUS can now be put into operation. Proceed as follows:

- 1 Remove ARGUS (Figure 3 D) with frame (C) straight from the switch insert (B) to the front.
- 2 Set the switching duration (Fig. 5 A) to 1 s (left stop) and set the detection brightness (B) to day and night operation (left stop).
- 3 Carefully position the ARGUS onto the switch insert (figure 4).
- 4 Carry out walking tests within the area of detection of the ARGUS:
 - Enter the area of detection from the side (Figure 1).
 - Keep adjusting the sensitivity (Figure 5 C) until the ARGUS switches on the light when a movement is detected as required. If necessary, use the masking segments.

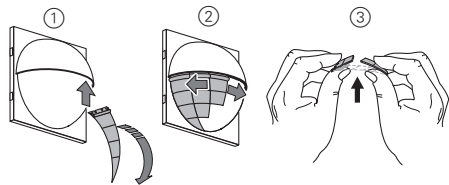
When everything is working as it should:

- 5 Set the switching duration and the detection brightness as desired.
- 6 Mount the ARGUS with the frame back onto the switch insert.

Masking out individual areas

If there are sources of interference such as lights in the area of detection of the ARGUS that make the connected light switch on when it is not supposed to, then you can mask these areas. Adjust the area of detection of the ARGUS by applying or moving the masking segments supplied, or by making them smaller. Proceed as follows:

Figure 6:



- ① Place the masking segment on the centre of the lens and latch it into place at the top between the hood and the lens.
- ② Move the masking segments to the right or left precisely onto the area which you wish to be excluded from the monitoring.
- ③ Make the masking segments smaller as required on the positions marked in order to use only the close range of the lens.

i Using the masking segments affects the detection brightness of the ARGUS. Adjust the detection brightness again (Figure 5 ⑧).

What should I do if there is a problem?

Movements in the area of detection. The connected light still doesn't switch on.

Check the possible sources of error:

- The connected light is not connected/is incorrectly connected.
- The lamp is defective.
- The detection brightness is set too dark.
- The sensitivity is set too low.
- The segments hide necessary areas.
- The fuse is defective. (Replace the fuse: for information, see the manual of the switch insert).

The connected light is switched on permanently.

- The switching duration has been set too high. The ARGUS constantly detects new movements and restarts the switching duration.
- The sensitivity is set too high.
- Sources of interference, such as lights, are within the area of detection.

Technical data

Area of detection:	180°
Range / Sensitivity:	right and left 2.5 – 8 m, forward 2.5 – 12 m, infinitely adjustable
Detection brightness:	approx. 5 – 1000 lux, infinitely adjustable
Switching duration:	1 s, 20 s, 40 s, 80 s, 3 min, 8 min, adjustable in steps
Recommended mounting height:	2.20 m

Schneider Electric Industries SAS

If you have technical questions, please contact the Customer Care Center in your country.

www.schneider-electric.com

This product must be installed, connected and used in compliance with prevailing standards and/or installation regulations. As standards, specifications and designs develop from time to time, always ask for confirmation of the information given in this publication.