
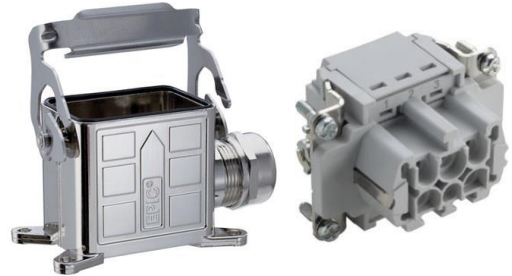


75009737	<b>DATA SHEET</b>	
Valid from: 25.02.2019	<b>EPIC® ULTRA Kit H-B 6 BP SGR LB 9-17</b>	

## Description

- Optimally matched components.
- H-BE inserts with push-in termination up to 2.5 mm<sup>2</sup> connection cross-section.
- The possibility of using higher voltages and currents as well as high reliability characterizes the EPIC® H-BE series.
- EPIC® ULTRA housings are universally applicable due to their high corrosion resistance and high protection against environmental influences.
- Reduced order costs. No wrong orders.



## Components

Item number of the combination	75009737
Housing	EPIC® ULTRA H-B 6 SGR LB 9-17 BRUSH (70250209)
Insert	EPIC® H-BE 6 BP (44423201)

## General characteristics

Insert	H-BE 6
Gender	Female
Connection type	Push-in
Connection cross-section	0.14 – 2.5 mm <sup>2</sup>
Number of contacts	6 + PE
Contact diameter	2,5 mm
Mating cycles	500
Temperature range	-40°C to +100°C, short-term up to +125 °C
Housing	Surface mount base
Cable entry	1x lateral
Cable gland	Yes
Clamping range	9 – 17 mm
Screen contacting	BRUSH
Diameter above cable braiding	min. 5 mm
Locking	Single lever
Protection (DIN EN 60529)	IP 65 (mated and latched)
Protection (NEMA 250/UL50E)	4, 4X and 12 (mated and latched)


## Electrical characteristics

Rated voltage, IEC	500 V
Rated impulse voltage	6 kV
Rated current, IEC	16 A
Contact resistance	< 3 mOhm
Degree of soiling	3

## Materials/Surfaces

Contacts	Copper alloy, hard silver plated
Insulating body	PA
Flammability class according to UL94	V0

Creator: BEGE1/PDP Released: IVSE1/PDP	Dokument: DB 75009737EN Version: 02	Page 1 of 3
-------------------------------------------	----------------------------------------	-------------

75009737	<b>DATA SHEET</b>	
Valid from: 25.02.2019	<b>EPIC® ULTRA Kit H-B 6 BP SGR LB 9-17</b>	

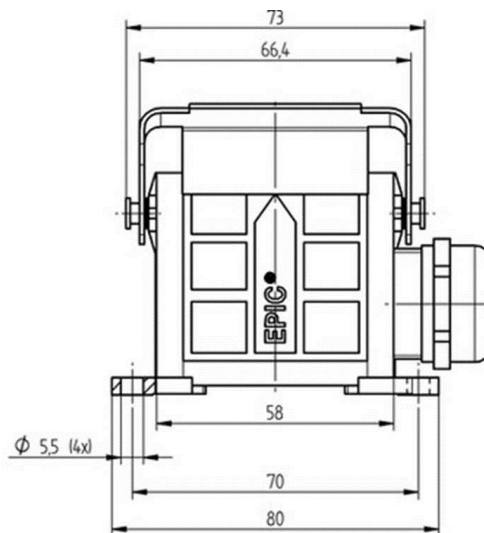
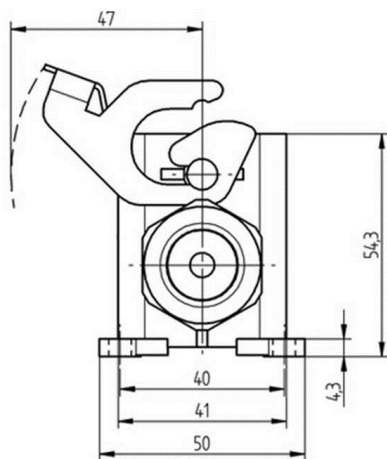
Housing	Zinc die cast, nickel plated
Locking	Stainless steel
Housing seal	NBR, conductive
Cable gland	Brass, nickel-plated
Insert	PA
Seal ring	CR

### Standards

Safety standards	IEC 61984
Product features according to	DIN EN 6988
	DIN EN ISO 9227, method NSS, duration 480h
	DIN EN 60068-2-52, severity level 2

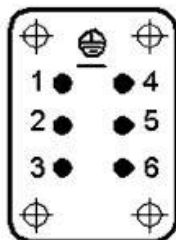
### Technical drawings

Housing dimensions

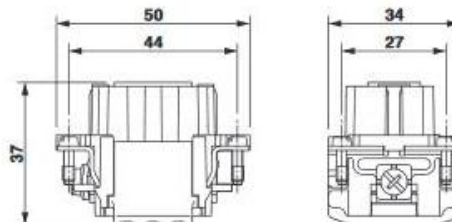



Insert  
Pin assignment

**F**



Dimensions



75009737	<b>DATA SHEET</b>	
Valid from: 25.02.2019	<b>EPIC® ULTRA Kit H-B 6 BP SGR LB 9-17</b>	



Good chemical resistance



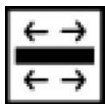
Large clamping range



Corrosion resistant



Installation time



Optimal strain relief



Required space



Robust



SKINTOP® Integrated Cable Gland



Connectors with standart housing



Waterproof



Temperature resistant

### Info

EMC protection, corrosion-resistant, SKINTOP® integrated cable gland  
Multifunctional insert for versatile applications

### Application range

In EMC-sensitive environments, for fixed and flexible applications (e.g. machiner, wind turbines), construction machinery, electric motor manufacturing

### Remark

Photographs are not to scale and do not represent detailed images of the respective products.

Creator: BEGE1/PDP Released: IVSE1/PDP	Dokument: DB 75009737EN Version: 02	Page 3 of 3
-------------------------------------------	----------------------------------------	-------------