

## Traffic Lights / LED Light / LED Traffic Light 890 LED Perm. Beacon BWM 12-24VDC GN



**Part No.:** 890.220.55



### MECHANICAL DATA

|                              |                                |
|------------------------------|--------------------------------|
| Length                       | 154 mm                         |
| Height                       | 168 mm                         |
| Diameter                     | 150 mm                         |
| Materials                    | PC<br>PC/ABS                   |
| Dome colour                  | Clear                          |
| Housing colour               | Grey                           |
| Protection category          | IP65                           |
| Connection                   | Spring-type terminal           |
| cross-sectional area minimum | 0,50mm <sup>2</sup> / 20AWG    |
| cross-sectional area maximum | 1,50mm <sup>2</sup> / 16AWG    |
| Cable entry                  | Screwed cable gland            |
| Cable entry minimum          | d = 5 mm<br>d = 6 mm           |
| Cable entry maximum          | d = 12 mm<br>d = 7 mm          |
| Tension relief               | Present (conforms to VDE)      |
| Type of fixing               | Base mounting<br>Wall mounting |
| Working temperature minimum  | -30°C                          |
| Working temperature maximum  | +50°C                          |
| Weight with packaging        | 547 g                          |
| Product weight               | 479 g                          |

### ELECTRICAL DATA

|                             |                    |
|-----------------------------|--------------------|
| Operating voltage           | 12-24V             |
| Operating voltage type      | DC                 |
| Operating voltage tolerance | +/- 10%            |
| Rated operational voltage   | 24 VDC             |
| Rated operational current   | 260 mA             |
| Rated inrush current        | 2.500 mA           |
| Protection class            | Protection class 2 |
| Pollution degree            | 3                  |

### OPTICAL DATA

|                      |                  |
|----------------------|------------------|
| Light source         | LED              |
| Light colour         | Green            |
| Optical signal image | Permanent        |
| Service life optical | 50,000 h maximum |



For additional installation and mounting information, refer to the appropriate user guide at [www.werma.com](http://www.werma.com). This printed copy is for information only and is subject to alteration.

## Traffic Lights / LED Light / LED Traffic Light 890 **LED Perm. Beacon BWM 12-24VDC GN**

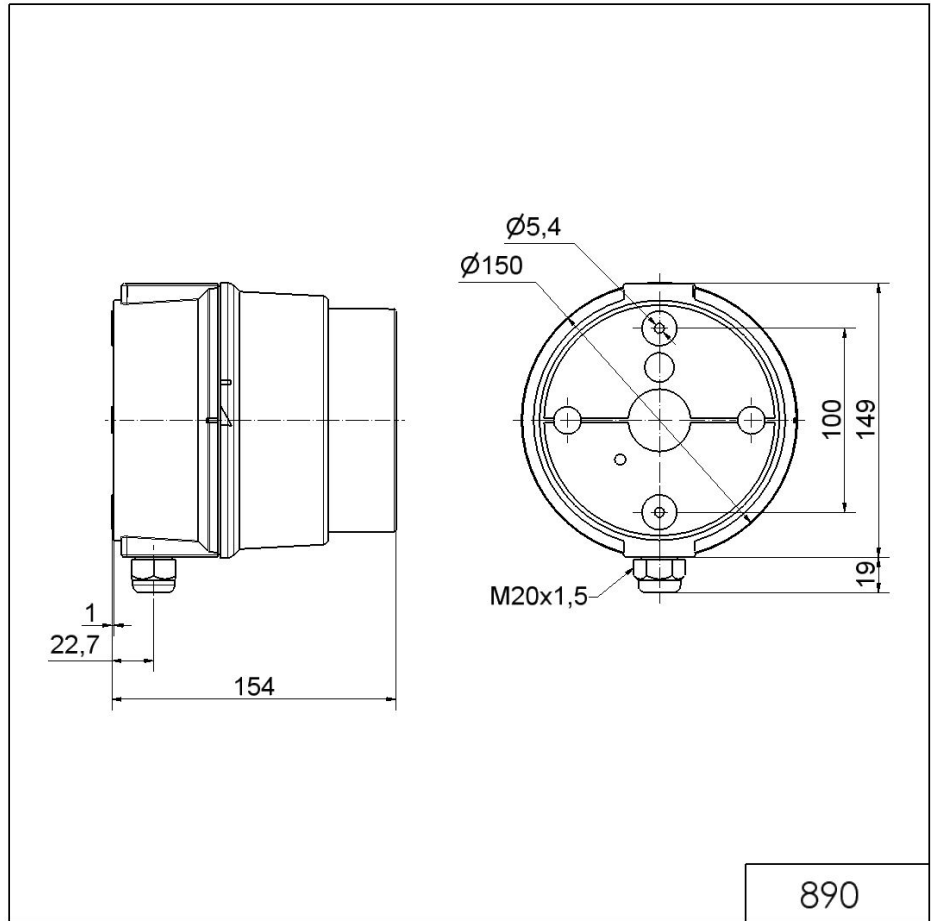
| APPROVAL DATA                 |                       |
|-------------------------------|-----------------------|
| Conforms with CE              | Yes                   |
| Conforms with RoHS directive  | Yes                   |
| WEEE                          | Yes                   |
| Conforms with ATEX-directive  | No                    |
| Conforms with CCC             | No                    |
| Conforms with UL              | No                    |
| Conforms with FCC             | No                    |
| Conforms with IC              | No                    |
| EAC certificate available     | Yes                   |
| Conforms with UKCA (Importer) | Yes (WERMA (UK) Ltd.) |
| Conforms with AS-I            | No                    |
| ICAO Certification            | No                    |
| Conforms with DNV             | No                    |
| Conforms with RoHS CN         | No                    |
| Conforms with VdS             | No                    |



For additional installation and mounting information, refer to the appropriate user guide at [www.werma.com](http://www.werma.com). This printed copy is for information only and is subject to alteration.

Traffic Lights / LED Light / LED Traffic Light 890  
**LED Perm. Beacon BWM 12-24VDC GN**

**DRAWING**



For additional installation and mounting information, refer to the appropriate user guide at [www.werma.com](http://www.werma.com). This printed copy is for information only and is subject to alteration.