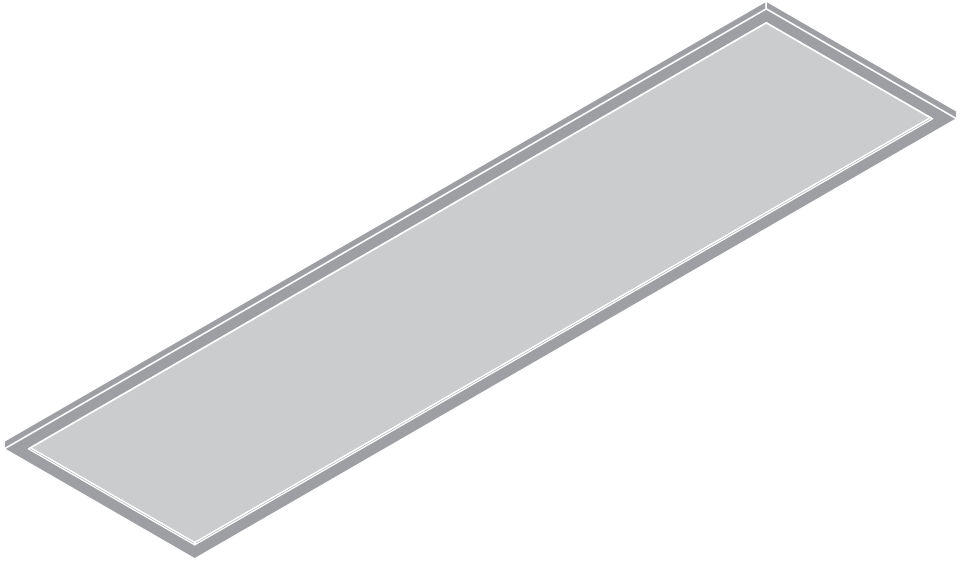
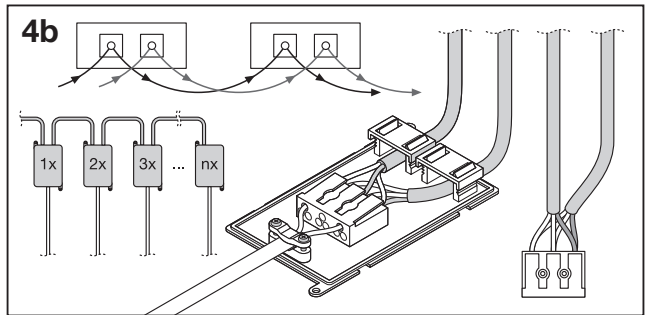
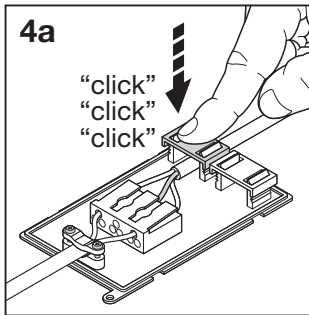
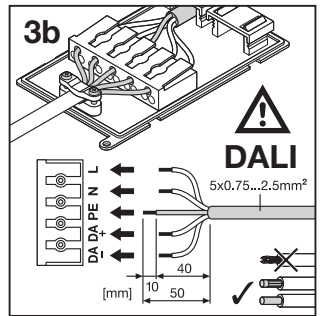
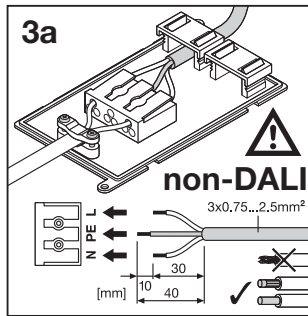
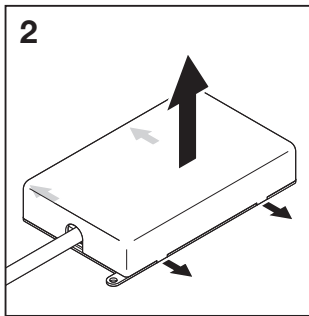
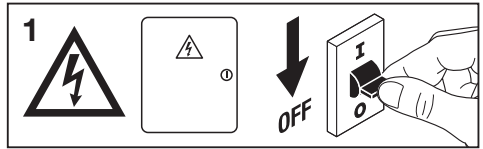
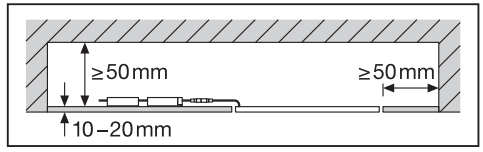
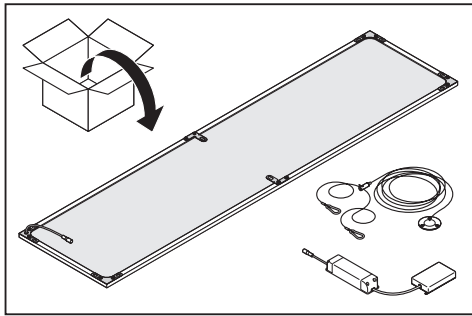
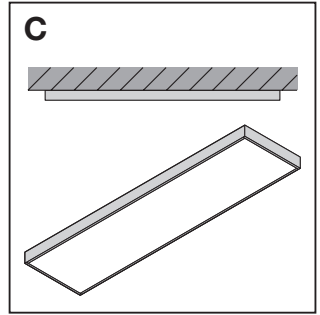
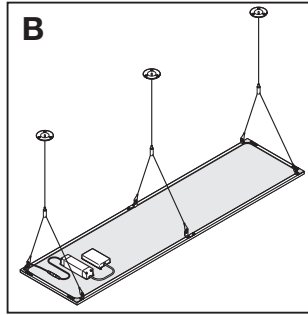
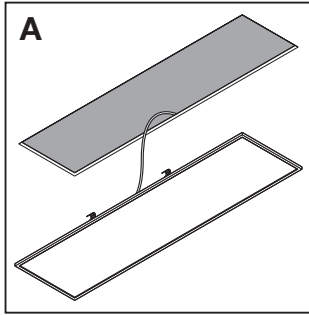


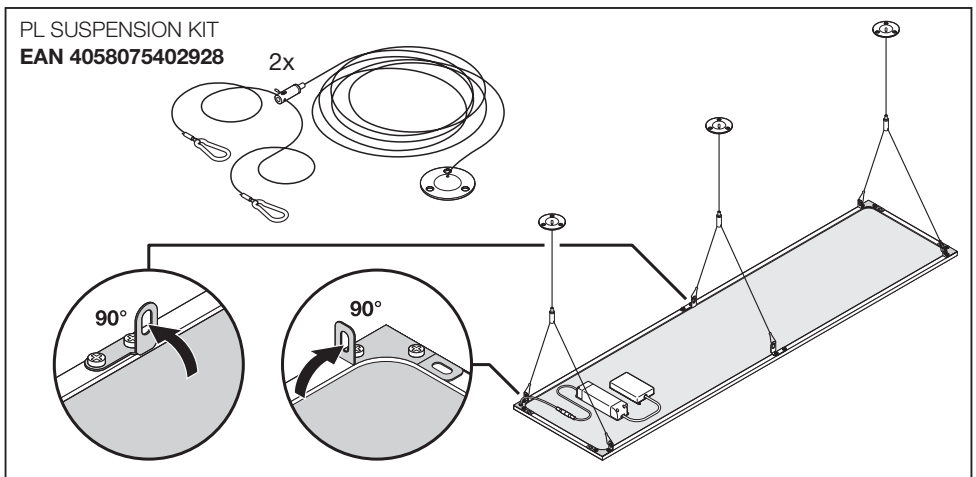
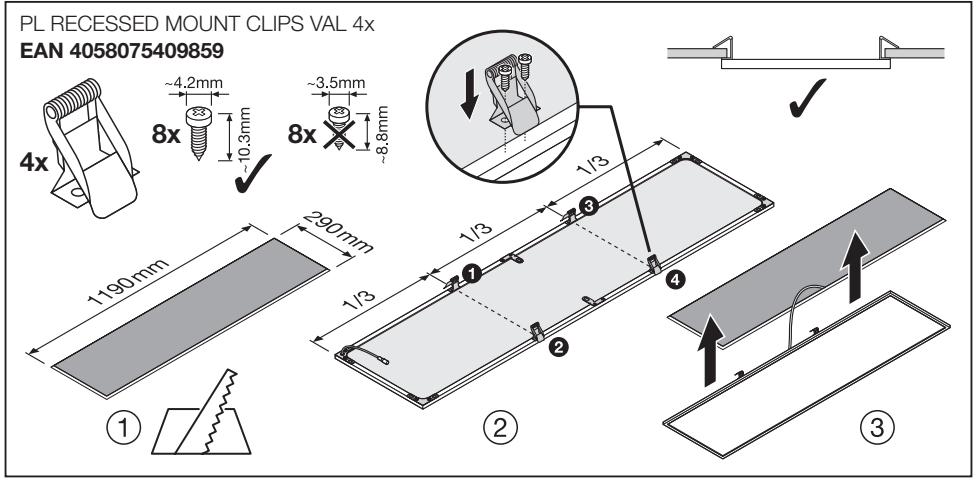
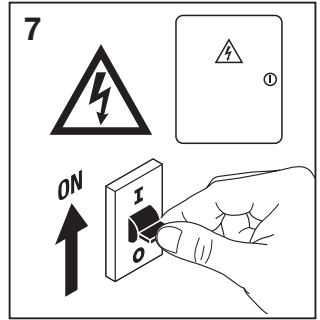
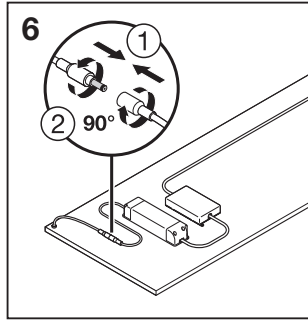
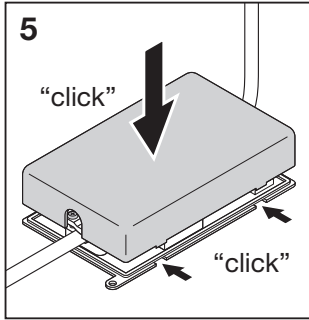
PANEL PERFORMANCE 1200



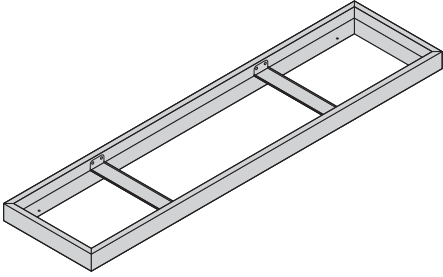
	EAN	l x w x h [mm]	W	V _{AC}	Hz	lm	lm/W
PL PFM 1200 33W/3000K	4058075440050	1195 x 295 x 9	33	220-240V	50/60 Hz	4000	120
PL PFM 1200 33W/4000K	4058075440074	1195 x 295 x 9	33	220-240V	50/60 Hz	4000	120
PL PFM 1200 DALI 33W/3000K	4058075440135	1195 x 295 x 9	33	220-240V	0/50/60 Hz	4000	120
PL PFM 1200 DALI 33W/4000K	4058075440173	1195 x 295 x 9	33	220-240V	0/50/60 Hz	4000	120
PL PFM 1200 30W/3000K UGR19	4058075440098	1195 x 295 x 9	30	220-240V	50/60 Hz	3450	115
PL PFM 1200 30W/4000K UGR19	4058075440111	1195 x 295 x 9	30	220-240V	50/60 Hz	3600	120
PL PFM 1200 DALI 30W/3000K UGR19	4058075440210	1195 x 295 x 9	30	220-240V	0/50/60 Hz	3450	115
PL PFM 1200 DALI 30W/4000K UGR19	4058075440630	1195 x 295 x 9	30	220-240V	0/50/60 Hz	3600	120

	EAN	K	IP	∠	R _a	ΔT (°C)	PF	⊞
PL PFM 1200 33W/3000K	4058075440050	3000	40	120°	> 80	-10...+45	> 0.93	1.6kg
PL PFM 1200 33W/4000K	4058075440074	4000	40	120°	> 80	-10...+45	> 0.93	1.6kg
PL PFM 1200 DALI 33W/3000K	4058075440135	3000	40	120°	> 80	-10...+45	> 0.93	1.6kg
PL PFM 1200 DALI 33W/4000K	4058075440173	4000	40	120°	> 80	-10...+45	> 0.93	1.6kg
PL PFM 1200 30W/3000K UGR19	4058075440098	3000	40	90°	> 80	-10...+45	> 0.93	1.7kg
PL PFM 1200 30W/4000K UGR19	4058075440111	4000	40	90°	> 80	-10...+45	> 0.93	1.7kg
PL PFM 1200 DALI 30W/3000K UGR19	4058075440210	3000	40	90°	> 80	-10...+45	> 0.93	1.7kg
PL PFM 1200 DALI 30W/4000K UGR19	4058075440630	4000	40	90°	> 80	-10...+45	> 0.93	1.7kg

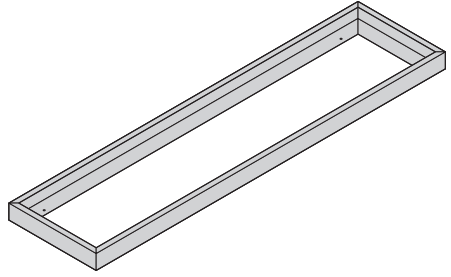




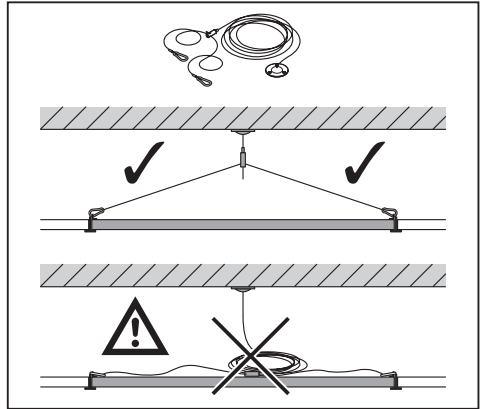
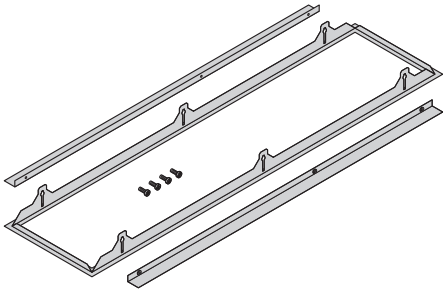
PL SURFACE MOUNT KIT 1200
EAN 4058075108820



PL 1200x300 SURFACE MOUNT KIT VAL
EAN 4058075472952

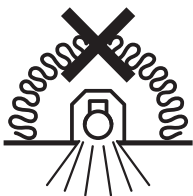


PL 1200x300 RECESSED MOUNT FRAME
EAN 4058075472976



1x 2x 3x ... nx	C10A	B16A	C16A	DALI	I _{out} [mA]	DIM
PANEL PFM 1200 DALI	n = 10	n = 11	n = 16	OSRAM OTI DALI 50/220...240/1A4 NFC	900	✓
PANEL PFM 1200	n = 20	n = 21	n = 33	-	-	-

PANEL PFM 1200 DALI	
PANEL PFM 1200	



CE EAC



RoHS



C10449057
 G11094520
 12.03.20



LEDVANCE GmbH
 Steinerne Furt 62
 86167 Augsburg, Germany
www.ledvance.com