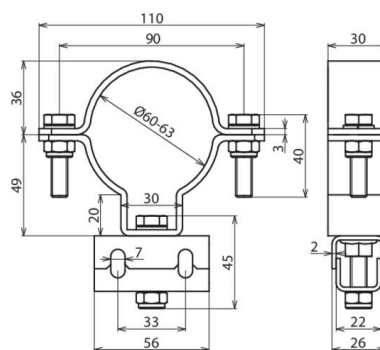


SBD 60 PAK 35 EX ER (306 220)



Figure without obligation



Equipotential bonding pipe clamp (SBD 60 PAK 35)

- Connection only with ring equipotential bonding conductor 35 mm², Part No. 832 838 (tinned copper cable)
- For mounting on round pipe DN50 (60 mm)
- EB clamp to be mounted approx. every 0.5 m

Type	SBD 60 PAK 35 EX ER
Part No.	306 220
Material	StSt
Dimensions	Ø60 mm
Clamping range EB ring conductor	35 mm ² , Cu/gal Sn
EX zone	2/22
Weight	394 g
Customs tariff number	85389099
GTIN	4013364327436
PU	50 Stk

We reserve the right to introduce changes in performance, configuration and technology, dimensions, weights and materials in the course of technical progress. The figures are shown without obligation.