

Conventional Alarm Devices

CWSS-RW-S5-E010

CWSS-RW-W5-E010

Instruction Sheet

R10038GB0



Schneider Electric Fire & Security Oy

Sokerilinnantie 11 C
FI-02600 Espoo, Finland
Tel: +358 10 446 511
Website: www.schneider-electric.com
Document number: R10038GB0
Published: 20.03.2019

© 2018 – Schneider Electric. All Rights Reserved. This information is only to be used as guidance. Subject to changes and errors.

Contents

1	Conventional Alarm Devices CWSS-RW-x5-E010	4
1.1	Volume settings.....	4
1.2	Tone settings.....	4
1.3	Base IP rating.....	4
1.4	Dimensions	5
1.5	Installation	5
1.6	Tone Table	6
1.7	Beacon product performance.....	7
1.8	Product Codes	7

1 Conventional Alarm Devices CWSS-RW-x5-E010

The new CW range of conventional alarm devices are used in Esmi Sense FDP and FX 3NET fire detection systems.

The sounder products are approved to EN54-3 and beacon products to EN54-23. The products are easy to install without need for device orientation . They are suitable for wall and ceiling mount applications in indoor and outdoor use. All 32 selectable tones are approved to EN54-3.

1.1 Volume settings

Volume setting is adjusted by switch 6 on the 6-way DIP switch on the bottom of product (See switch diagram).

1.2 Tone settings

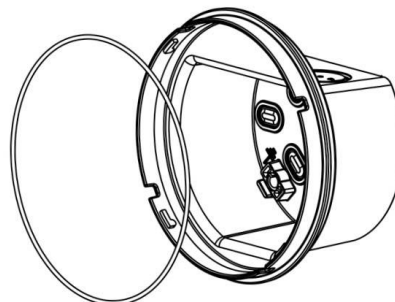
The tone setting is selected by switches 1 to 5 on the 6-way DIP-switch. The switch diagram and tone table are overleaf. The second stage tone is related to the first stage tone selection made via the DIP-switch. The second stage is controlled by the fire panel and becomes active through the wiring configuration.

1.3 Base IP rating

Shallow Base (IP21C)

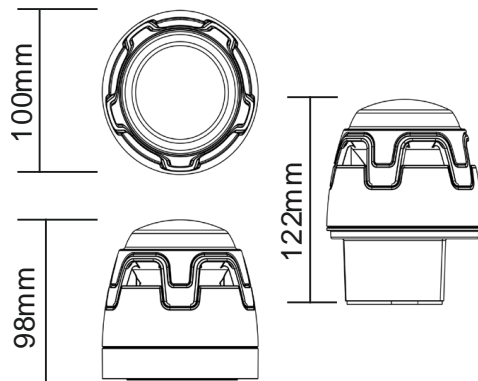


Deep Base (IP65)

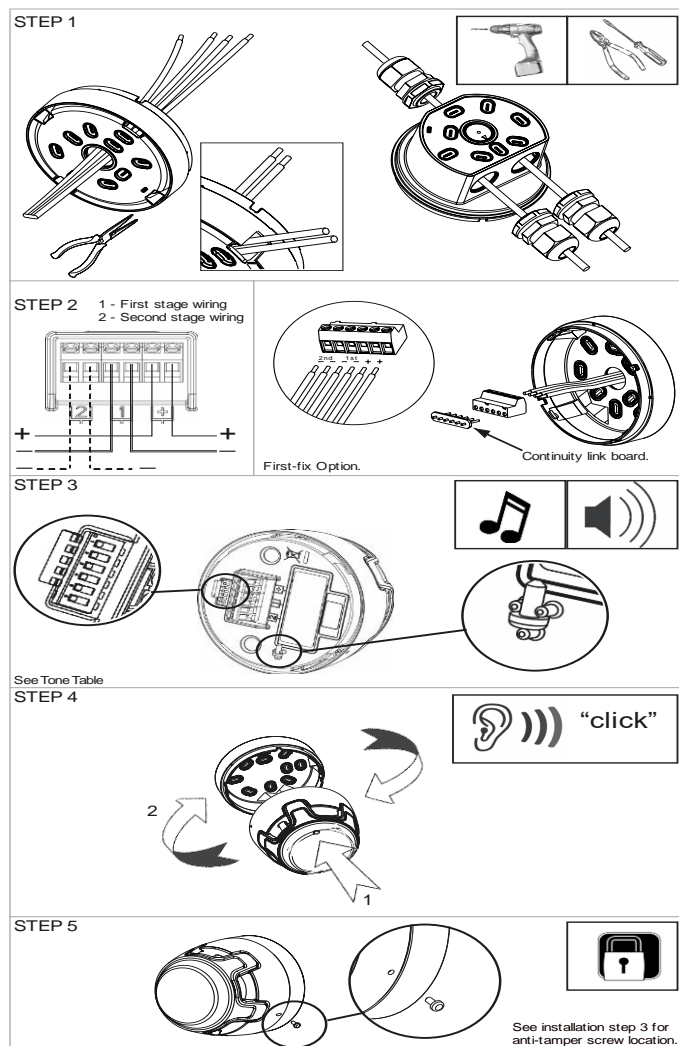


If the Deep Base IP65 option is used, the o-ring seal must be fitted to base as shown. If required, the deep base gasket accessory can be installed between the base and mounting surface.

1.4 Dimensions



1.5 Installation



1.6 Tone Table

SW6	Volume Setting
ON	HIGH
OFF	MEDIUM

Dip Switch	Tone Nos.	Pattern	Nominal Freq	Typical consumption (mA)				2nd Stage Tone
				24V High		24V Med		
				dB	mA	dB	mA	
0,0,0,0	1	Alternating	554/440	99.7	29.44	96.7	10.47	7
1,0,0,0	2	Alternating	800/970	102.2	24.34	92.9	8.53	8
0,1,0,0	3	Alternating	800/970	102.5	24.41	93.1	8.55	8
1,1,0,0	4	Alternating	2400/2900	107.7	35.3	101	16.76	10
0,0,1,0	5	Alternating	2500/3100	107.2	37.98	100.2	18.7	10
1,0,1,0	6	Alternating	988/645	102.7	21.2	99.6	11.18	8
0,1,1,0	7	Continuous	660	103	20.61	99.8	12.84	1
1,1,1,0	8	Continuous	970	102.8	25.44	93.5	8.91	2
0,0,0,1	9	Continuous	1200	104.5	28.73	103.5	23.42	2
1,0,0,1	10	Continuous	2850	106.6	36.24	101.2	18.47	4
0,1,0,1	11	Bell	2400	106.7	37.12	99.7	17.24	16
1,1,0,1	12	Intermittent	420	98.9	17.43	95.6	7.52	13
0,0,1,1	13	Sweep	500-1200	103.8	32.81	103.1	23.26	12
1,0,1,1	14	Intermittent	660	101.3	12.11	98.4	8.5	7
0,1,1,1	15	Intermittent	970	102	8.51	92.6	5.18	8
1,1,1,1	16	Intermittent	970	102.4	12.67	93.4	6.94	8
0,0,0,1	17	Intermittent	2850	106.7	21.59	101.2	11.38	10
1,0,0,1	18	Intermittent	970	102.4	14.68	93.2	6.25	8
0,1,0,1	19	Intermittent	950	101.4	11.84	93.6	6.16	12
1,1,0,1	20	Continuous	800	102.6	23.61	92.8	8.5	22
0,0,1,1	21	Sweep	400-1200	101.7	14.77	101.1	12.18	12
1,0,1,1	22	Sweep	1200 - 500	102.1	36.19	101.6	28.35	20
0,1,1,1	23	Sweep	2400 - 2850	107.7	34.67	100.5	14.82	10
1,1,1,1	24	Sweep	500 - 1200	103.9	30.12	103.2	23.94	8
0,0,0,1	25	Sweep	800 - 970	97.8	22.77	88.4	8.13	8
1,0,0,1	26	Sweep	800 - 970	99	23.02	91.4	9.1	8
0,1,0,1	27	Sweep	800 - 970	103	23.74	95.8	9.37	8
1,1,0,1	28	Sweep	2400 - 2850	99.1	34.73	91.4	14.28	10
0,0,1,1	29	Sweep	500 - 1000	100.4	25.96	90.4	7.72	8
1,0,1,1	30	Sweep	500-1200-500	104.3	30.74	103.5	25.86	8
0,1,1,1	31	Sweep	800 - 1000	101.8	23.82	94.7	10.05	8
1,1,1,1	32	Sweep	2400 - 2850	102.2	24.08	95.3	10.19	10

1.7 Beacon product performance

CW Sounder Beacon	Wall mount W Class	Ceiling mount C Class
Flash Colour	White	White
EN54-23 coverage volume code	W-2.4- 9.1	C-3-10 / C-6-10 / C-9-10
Installation height (X)	2.4m max	3m / 6m / 9m
EN54-23 Coverage (Y)	Cube YY = 9.1m	Cylinder \varnothing =10m
EN54-23 Coverage volume	199 m ³	236m ³ / 471 m ³ / 707m ³
Flash rate	0.5 Hz	0.5 Hz
Operating voltage range	12 to 29 V	12 to 29 V
Synchronisation	Synchronisation –Automatically on power on, meets EN54-3 and exceeds EN54-23	

1.8 Product Codes

Sounder Beacons		
CWSS-RW-S5-E010	IP21C	FFS06711062
CWSS-RW-W5-E010	IP65	FFS06711063
Base	IP Rating	Product code
CSR-E010 Low Profile Base (Red)	IP21C	FFS06711066
CWR-E010 Deep Base (Red)	IP65	FFS06711067